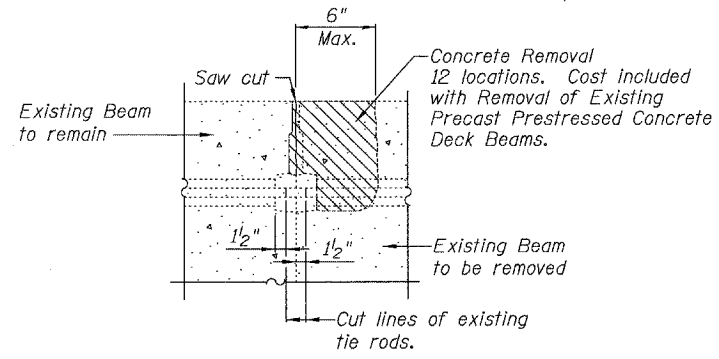
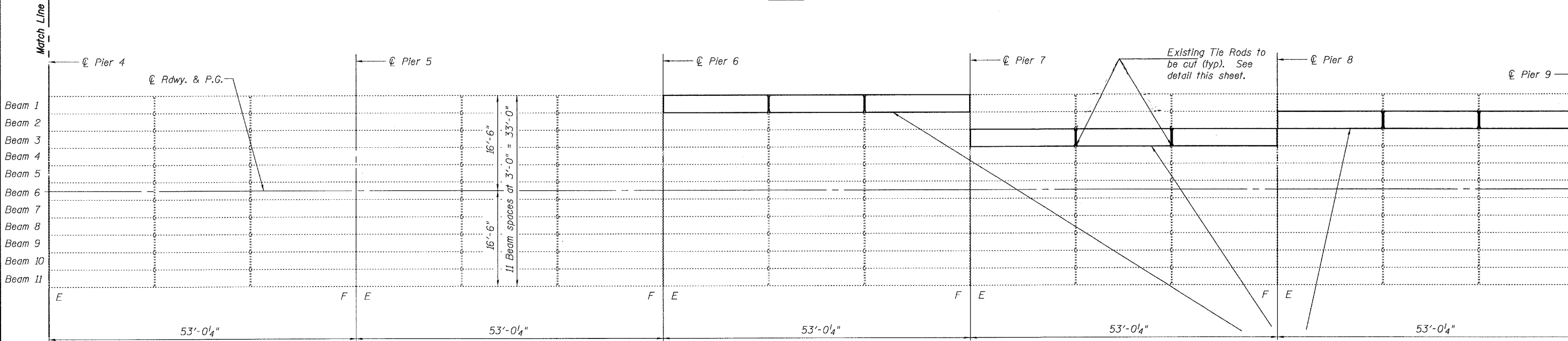
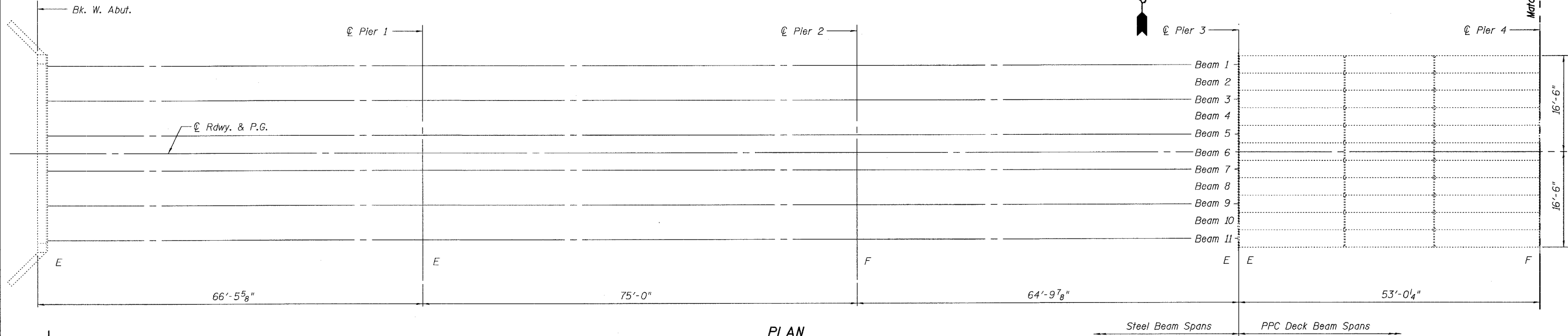


STATE OF ILLINOIS
DEPARTMENT OF TRANSPORTATION

ROUTE NO.	SECTION	COUNTY	TOTAL SHEETS	SHEET NO.	SHEET NO. 3
-	-	-	63	27	39 SHEETS
FED. ROAD DIST. NO. 7		ILLINOIS	FED. AID PROJECT-		

Contract #76899



**BEAM REMOVAL DETAIL
AT TRANSVERSE TIES**

PLAN

NOTE:
④ Any damage done to the bridge during beam removal shall be repaired by the Contractor. Cost to be included in the cost of "Removal of Existing Precast

**STAGE I
DECK BEAM REPLACEMENT DETAILS
OLD U.S. ROUTE 50 OVER
SHOAL CREEK
F.A.S. ROUTE 1780 - SECTION 24-BR-
CLINTON COUNTY
STA. 102+51.47
STRUCTURE NO. 014-0062**

PLOT DATE = 05/15/2006
FILE NAME = h:\p\25004\technical\production\structural\14-0062\final\plans\0062-03-stagesht.dgn
PLOT SCALE = 0.100000' / IN.
USER NAME = USER#