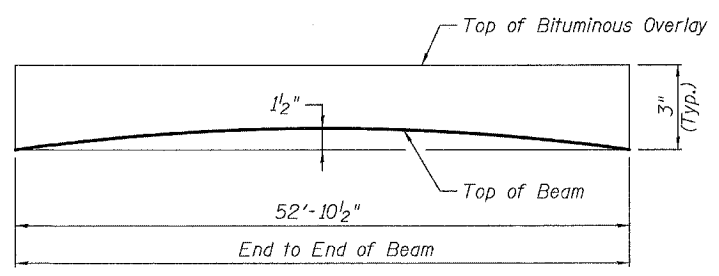
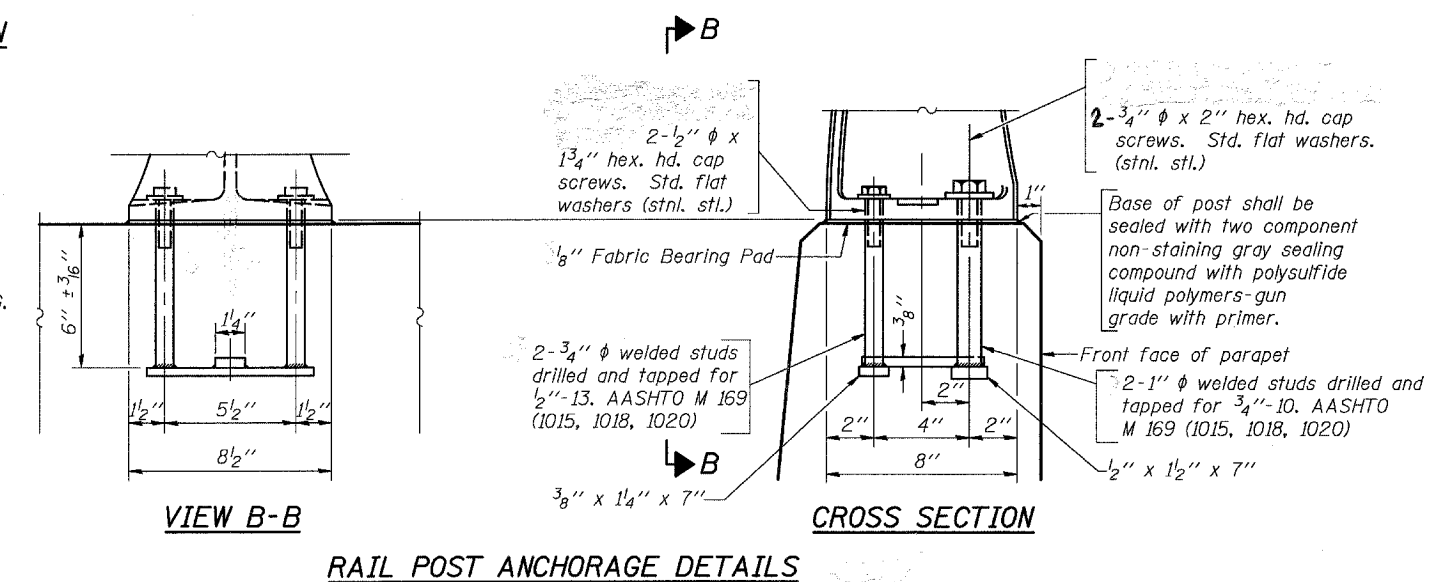
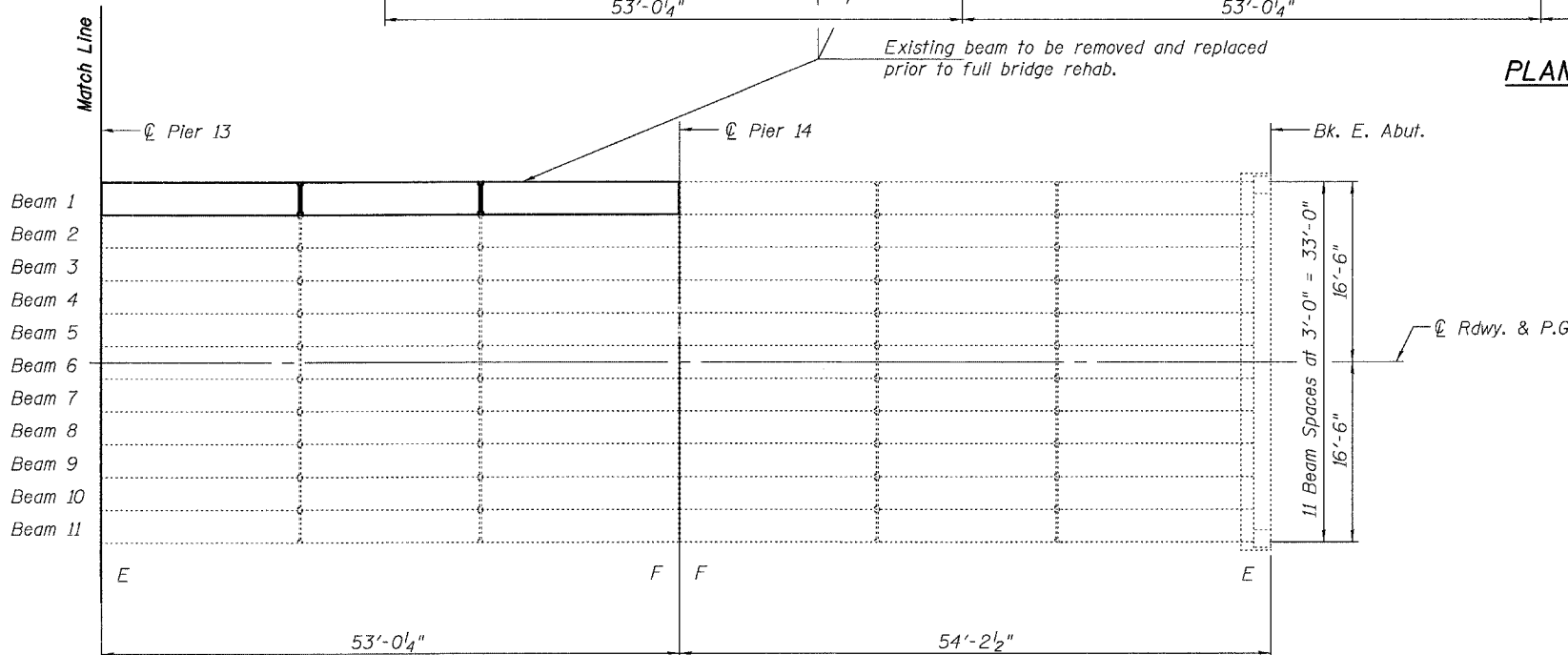
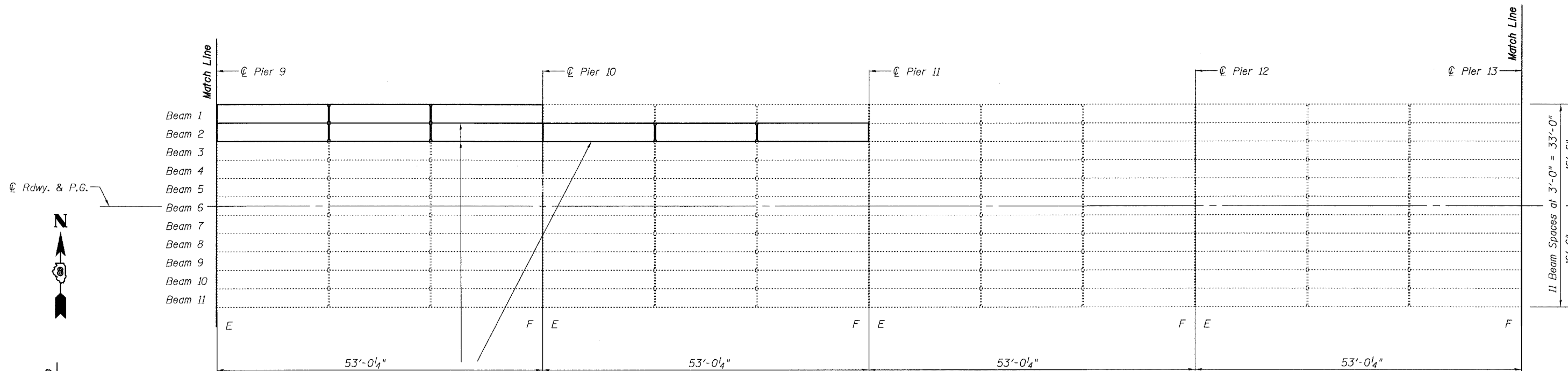


STATE OF ILLINOIS
DEPARTMENT OF TRANSPORTATION

ROUTE NO.	SECTION	COUNTY	TOTAL SHEETS	SHEET NO.
-	-	-	63	28
FED. ROAD DIST. NO. 7	ILLINOIS	FED. AID PROJECT		

Contract #76899

SHEET NO. 4
39 SHEETS



STAGE I
DECK BEAM REPLACEMENT DETAILS
OLD U.S. ROUTE 50 OVER
SHOAL CREEK
F.A.S. ROUTE 1780 - SECTION 24-BR-2
CLINTON COUNTY
STA. 102+51.47
STRUCTURE NO. 014-0062

PLOT DATE = 05/15/2006
FILE NAME = h:\p\25004\technical production\structural\014-0062\Final.plans\0062-04-stage1.dgn
PLOT SCALE = 0:1.0000 "/>