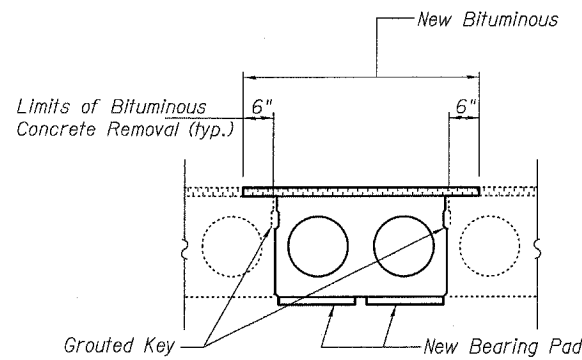


STATE OF ILLINOIS
DEPARTMENT OF TRANSPORTATION

ROUTE NO.	SECTION	COUNTY	TOTAL SHEETS	SHEET NO.	SHEET NO. 6
-	-	-	63	30	39 SHEETS
FED. ROAD DIST. NO. 7	ILLINOIS	FED. AID PROJECT-			

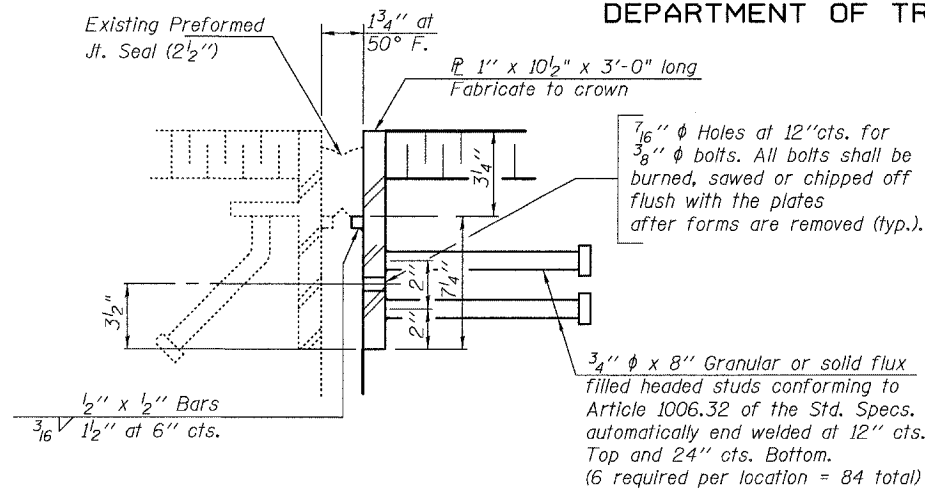
Contract #76899



PARTIAL CROSS SECTION

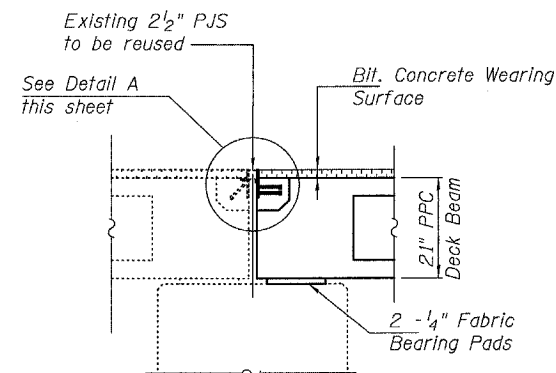
(Interior beam shown fascia beam similar.)

The cost of Bituminous Concrete Removal shall be included with Removal of Existing PPC Deck Beams.



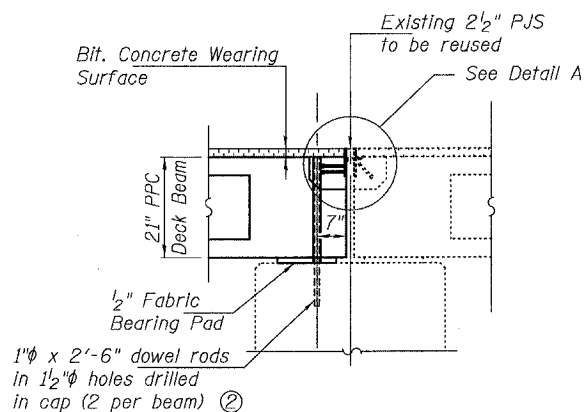
DETAIL A

(8 Locations)



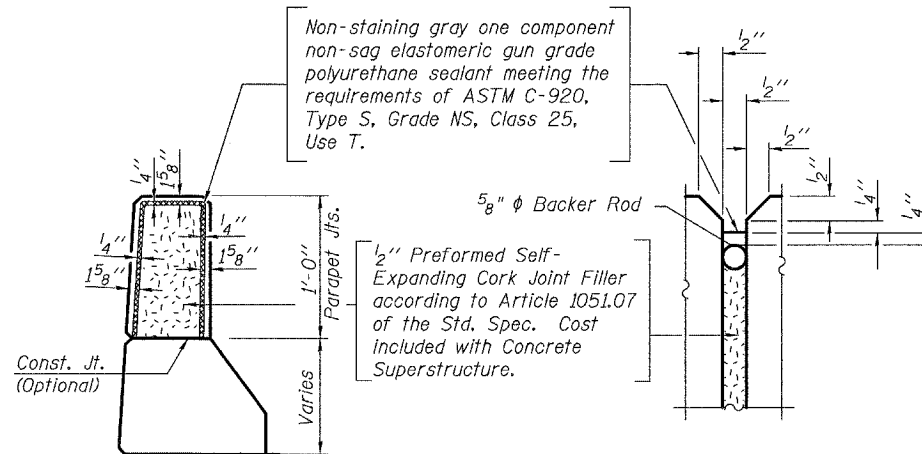
TYPICAL SECTION AT PIER (EXPANSION END)

(Looking North)

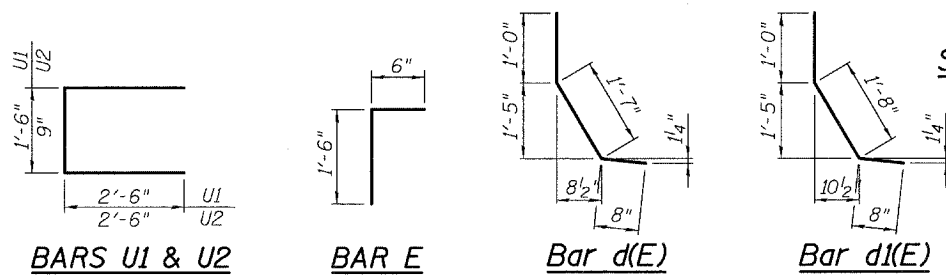


TYPICAL SECTION AT PIER (FIXED END)

(Looking North)



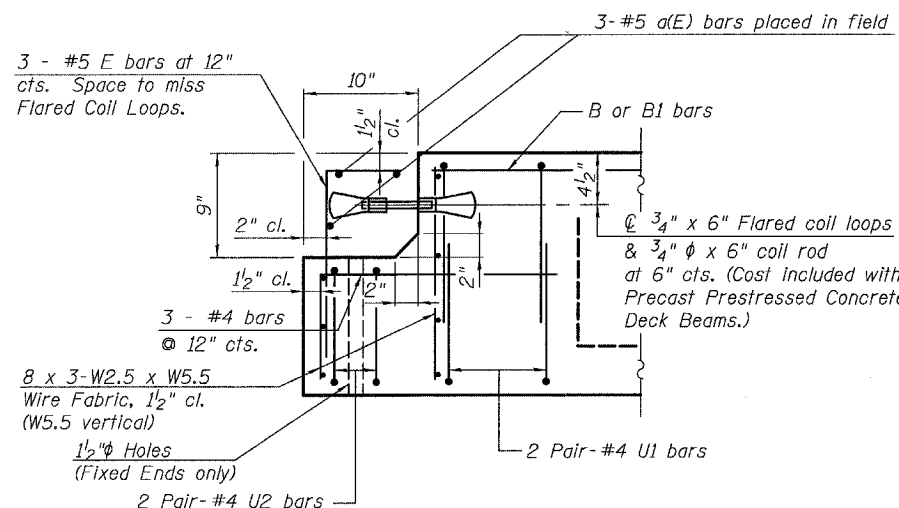
PARAPET JOINT DETAILS



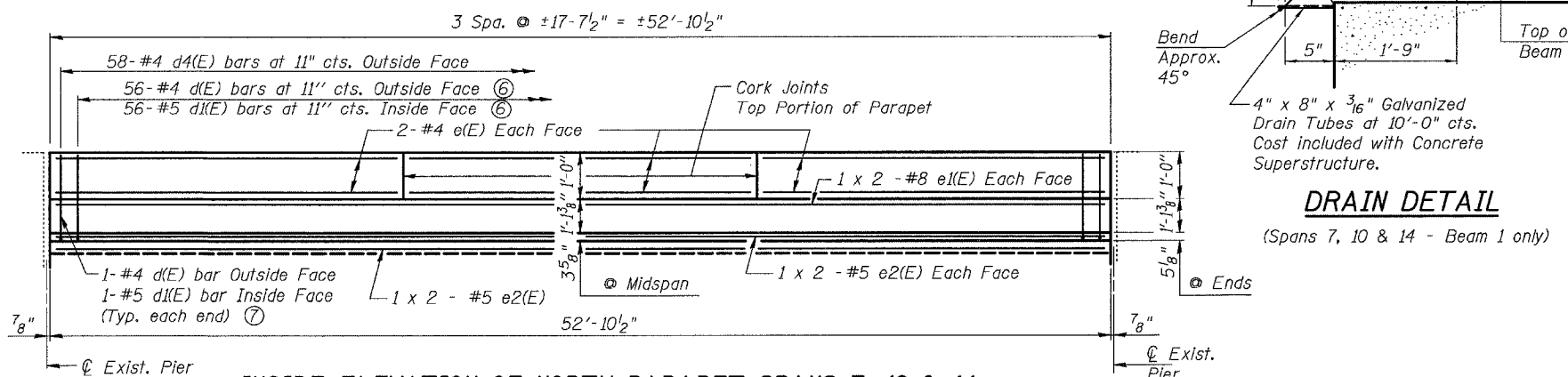
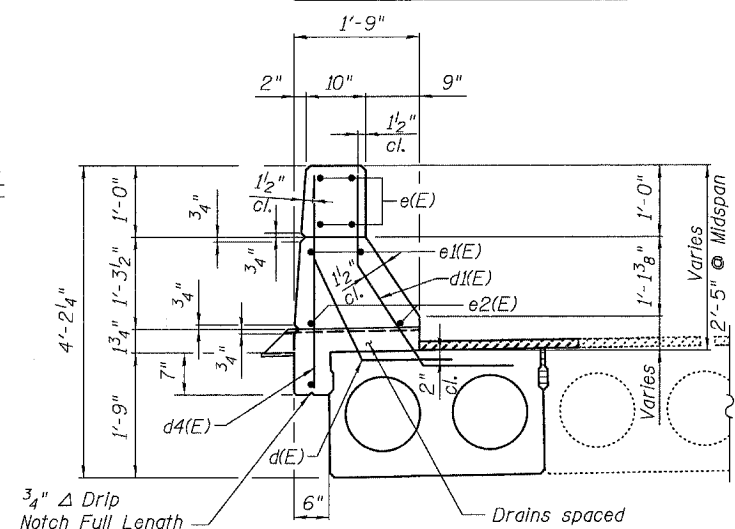
BARS U1 & U2 **BAR E** **Bar d(E)** **Bar d(E)**

SECTION THRU PARAPET SPANS 7, 10 & 14 - BEAM 1

(All edges shall have 3/4" chamfers.)

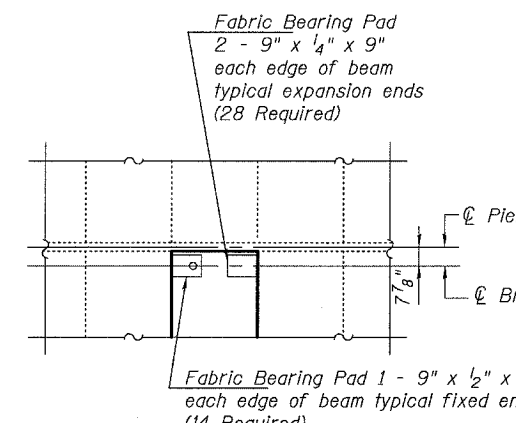


END OF BEAM DETAIL



INSIDE ELEVATION OF NORTH PARAPET SPANS 7, 10 & 14

(Looking North)



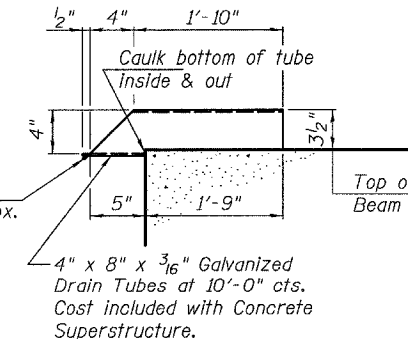
BEARING PAD LAYOUT

**SUPERSTRUCTURE STAGE I
BILL OF MATERIAL**

Bar	No.	Size	Length	Shape
a(E)	42	#5	3'-0"	
d(E)	6	#4	3'-3"	
d1(E)	6	#5	3'-6"	
d4(E)	174	#4	2'-10"	
e(E)	36	#4	17'-4"	
e1(E)	12	#8	28'-6"	
e2(E)	18	#5	27'-4"	
Precast Prestressed Conc. Deck Bms. (21" Depth)			Sq. Ft.	1,095
Reinforcement Bars, Epoxy Coated			Pound	2,340
Concrete Superstructure			Cu. Yds.	20.4
Removing & Re-erecting Existing Railing			Foot	159

Notes:
① All structural steel (except Drain Tubes) shall be shop painted with the inorganic zinc rich primer per AASHTO M300 Type I. Cost included with F. & E. Structural Steel.

- ② Dowel holes shall be filled with non-shrink grout to top of beam and allowed to cure min. 24 hrs. prior to grouting the shear key.
- ③ See sheet 5 of 39 for bearing pad details.
- ④ Minimum bar laps: #5 - 2'-2" #8 - 4'-6".
- ⑤ Expansion guards that are not cast into the precast units shall be fabricated and erected according to Article 503.10(c) of the Standard Specifications and are included with Furnishing and Erecting Structural Steel.
- ⑥ Bars d(E) & d1(E) shall be cast with the PPC Deck Beams. Cost included in the cost of Precast Prestressed Concrete Deck Beams (21" Depth).
- ⑦ Bars d(E) & d1(E) placed in the field are included with Reinforcement Bars, Epoxy Coated.



DRAIN DETAIL

(Spans 7, 10 & 14 - Beam 1 only)

**STAGE I
DECK BEAM REPLACEMENT DETAILS
OLD U.S. ROUTE 50 OVER
SHOAL CREEK
F.A.S. ROUTE 1780 - SECTION 24-BR-2
CLINTON COUNTY
STA. 102+51.47
STRUCTURE NO. 014-0062**

PLOT DATE = 05/15/2006
 FILE NAME = h:\p\25004\technical\production\structural\014-0062\final\plans\0062-06-stage1st4.dgn
 PLOT SCALE = 0.1/IN.
 USER NAME = JUSER#