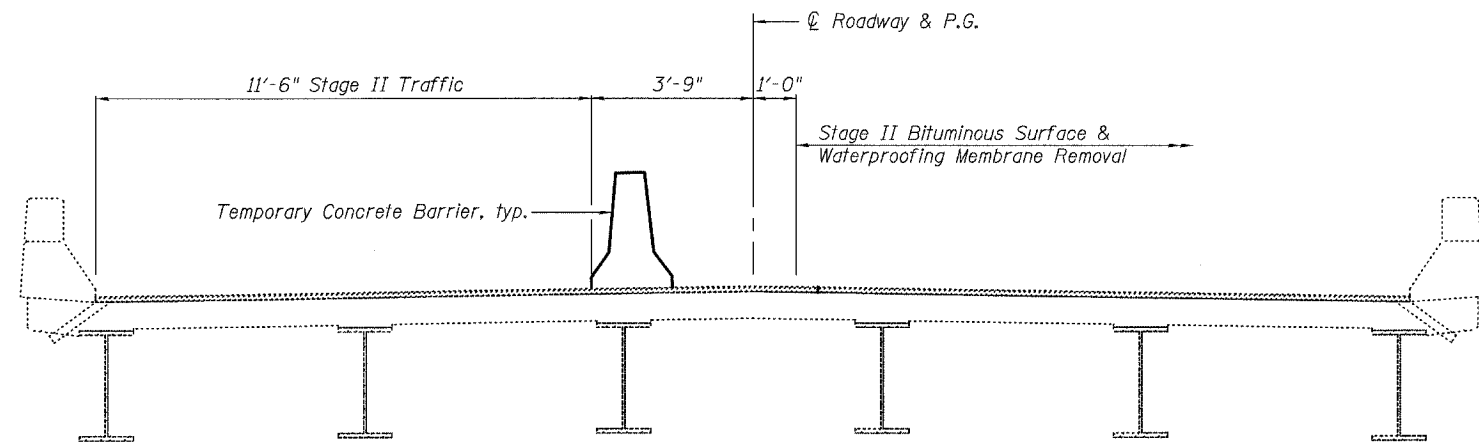


STATE OF ILLINOIS  
DEPARTMENT OF TRANSPORTATION

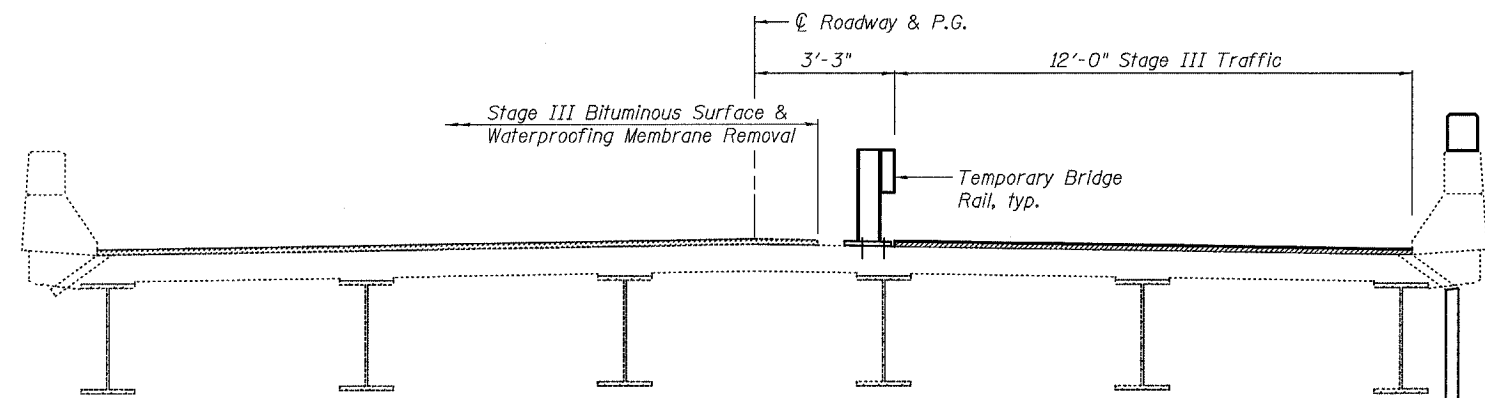
ROUTE NO.	SECTION	COUNTY	TOTAL SHEETS	SHEET NO.
-	-	-	63	31
FED. ROAD DIST. NO. 7		ILLINOIS	FED. AID PROJECT-	

Contract #76899

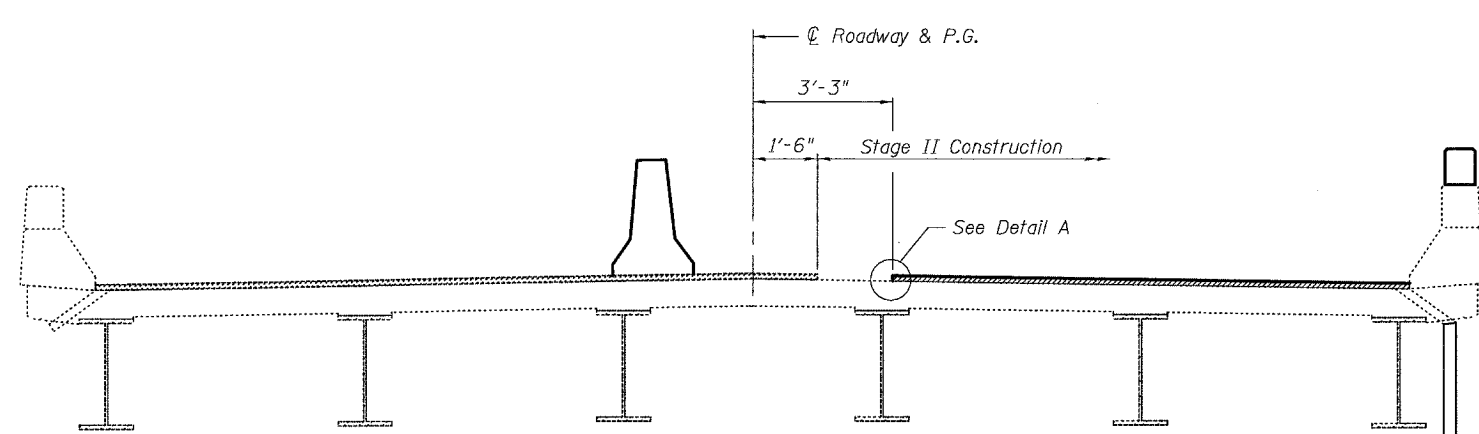
SHEET NO. 7  
39 SHEETS



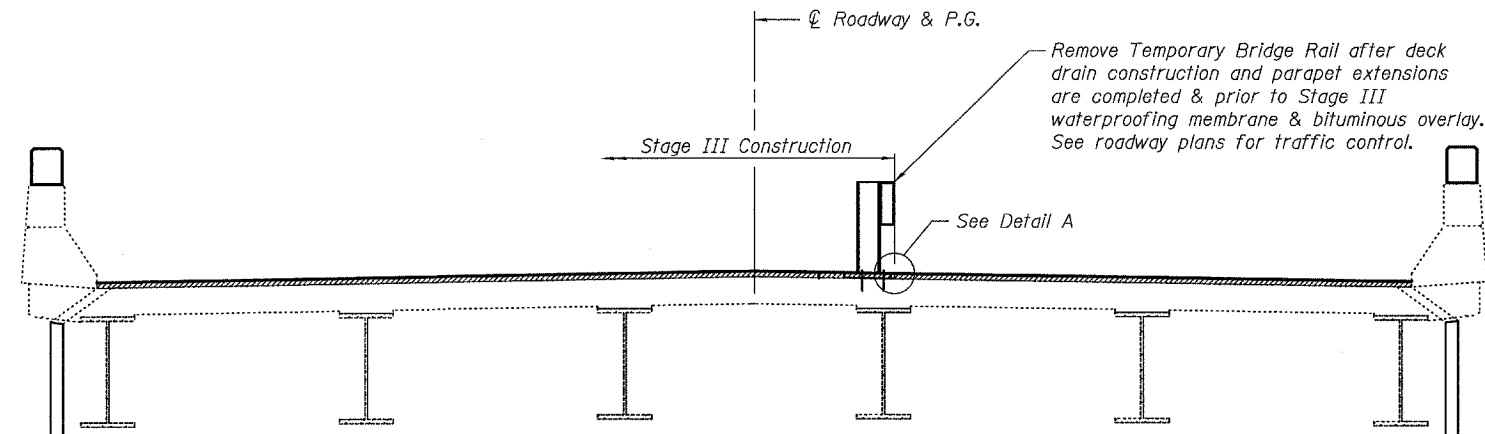
**STAGE II REMOVAL**  
(Looking East)



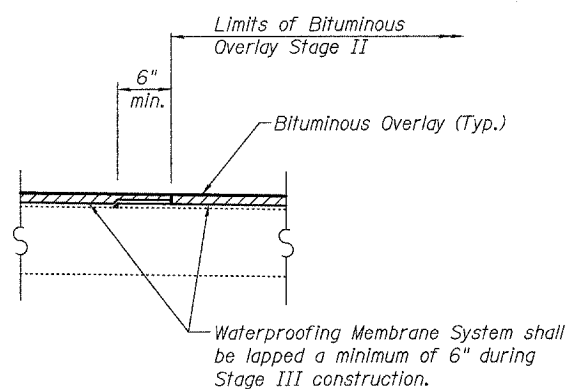
**STAGE III REMOVAL**  
(Looking East)



**STAGE II CONSTRUCTION**  
(Looking East)



**STAGE III CONSTRUCTION**  
(Looking East)



**DETAIL A**

- Notes:
- ① For quantity of Temporary Concrete Barrier, see roadway plans.
  - ② For details of Temporary Bridge Rail, see sheets 9 & 10 of 39.
  - ③ For details of Temporary Concrete Barrier, see sheet 11 of 39.

**STAGE CONSTRUCTION DETAILS**  
**SPANS 1-3**  
**OLD U.S. ROUTE 50 OVER**  
**SHOAL CREEK**  
**F.A.S. ROUTE 1780 - SECTION 24-BR-**  
**CLINTON COUNTY**  
**STA. 102+51.47**  
**STRUCTURE NO. 014-0062**

PLOT DATE = 05/15/2006  
FILE NAME = h:\p\25004\technical\production\structural\sn 014-0062\final\plans\0062-07-stgsh1.dgn  
PLOT SCALE = 0:1.0000 '1' / IN.  
USER NAME = USER