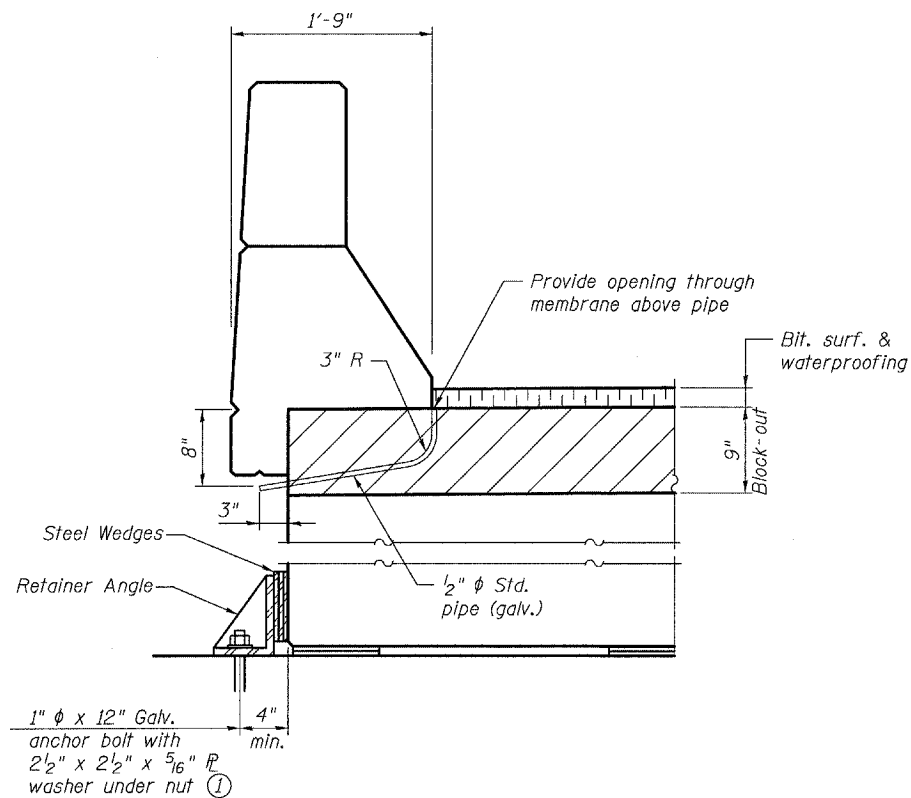


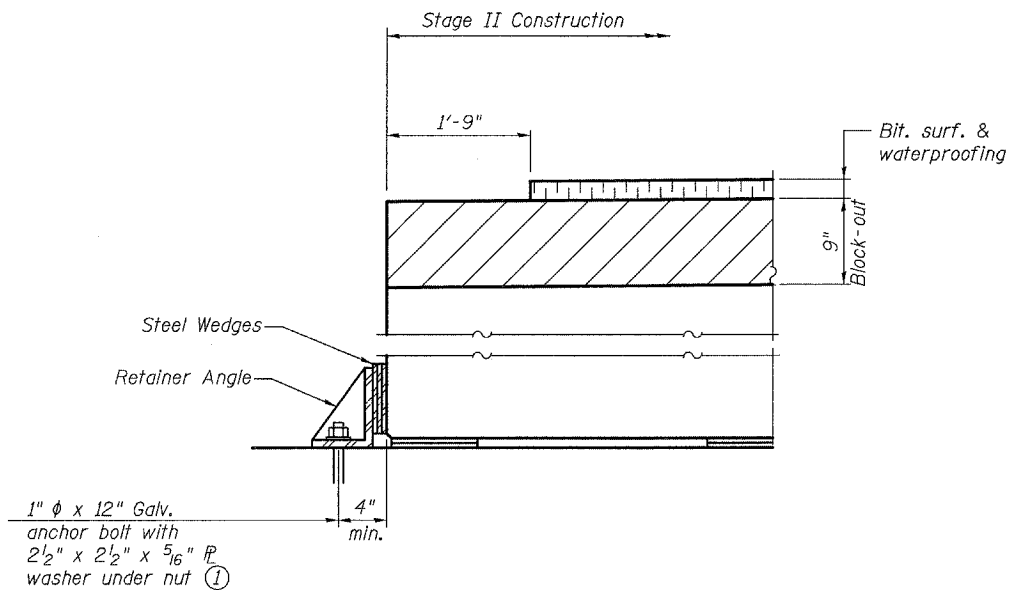
STATE OF ILLINOIS
DEPARTMENT OF TRANSPORTATION

ROUTE NO.	SECTION	COUNTY	TOTAL SHEETS	SHEET NO.	SHEET NO. 1
-	-	-	63	40	39 SHEETS
FED. ROAD DIST. NO. 7	ILLINOIS	FED. AID PROJECT-			

Contract #76899

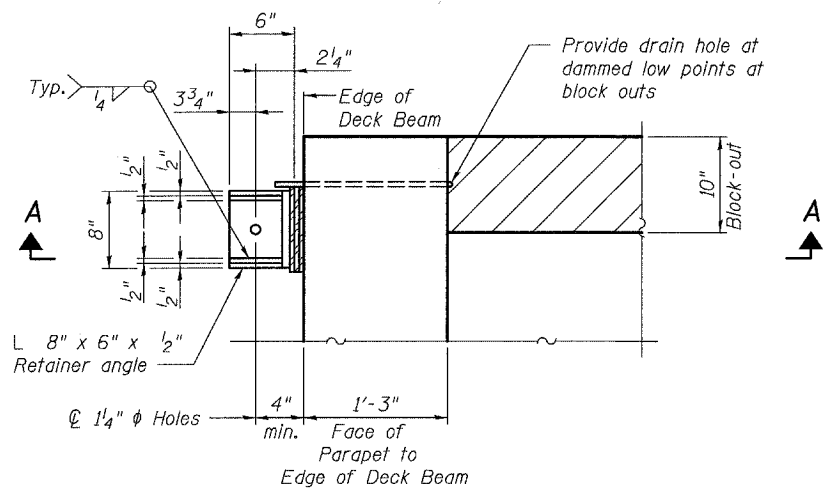


SECTION A-A



SECTION B-B

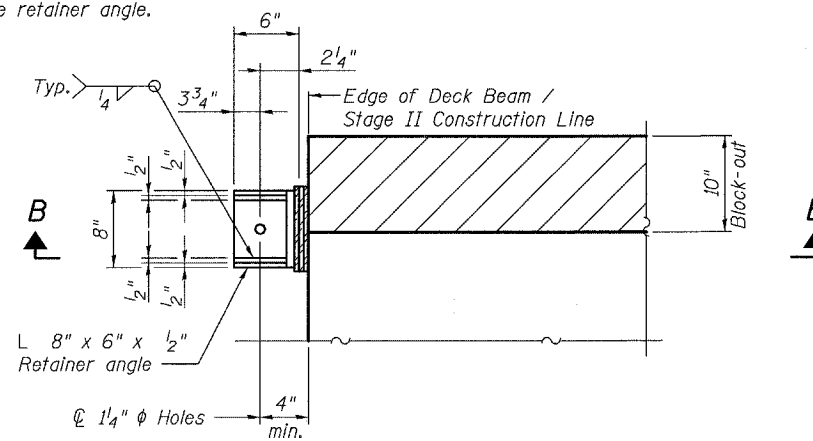
Anchor bolts shall be cut and ground flush with the surface of the pier and sealed with epoxy upon removal of the retainer angle.



PLAN

(Parapet not shown for clarity.)

RETAINER ANGLE AT EXPANSION JOINT



PLAN

**RETAINER ANGLE AT EXPANSION JOINT
ALONG STAGE II CONSTRUCTION JOINT**

Notes:

- ① Approved threaded rod shall be placed in drilled holes and grouted in place. Cost of retainer and accessories are included with Precast Prestressed Concrete Deck Beams (21" Depth).
- ② Retainer angles are to be used at the expansion ends of deck beams only. After block-outs are poured and cured the retainer angles shall be removed. Anchor bolts may be left in place at Beams 1 and 11.
- ③ Cost of 1/2" Standard pipe shall be included in the cost of the Precast Prestressed Concrete Deck Beams (21" Depth).

**SUPERSTRUCTURE DETAILS
OLD U.S. ROUTE 50 OVER
SHOAL CREEK
F.A.S. ROUTE 1780 - SECTION 24-BR-
CLINTON COUNTY
STA. 102+51.47
STRUCTURE NO. 014-0062**

PLOT DATE = 05/15/2006
FILE NAME = h:\p\25004\technical\production\str-structural\en 014-0062\final_plans\0062-16-ssdt\sh4.dgn
PLOT SCALE = 01:0000 '1' / IN.
USER NAME = \$USER\$