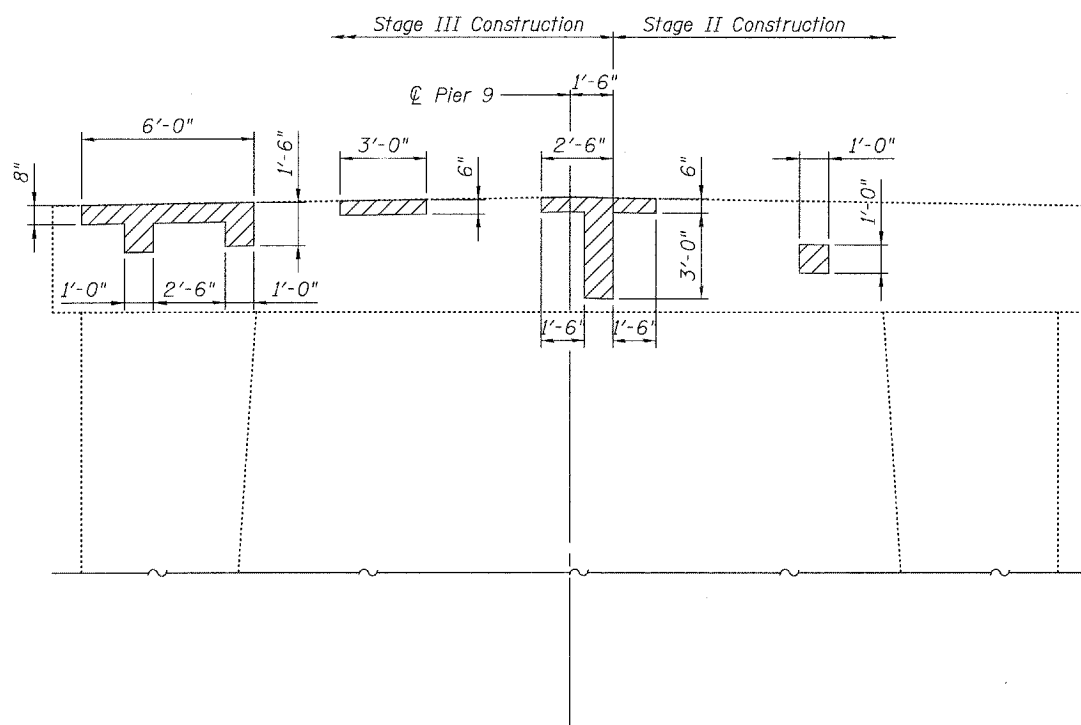


STATE OF ILLINOIS
DEPARTMENT OF TRANSPORTATION

ROUTE NO.	SECTION	COUNTY	TOTAL SHEETS	SHEET NO.
-	-	-	63	56
FED. ROAD DIST. NO. 7		ILLINOIS	FED. AID PROJECT-	

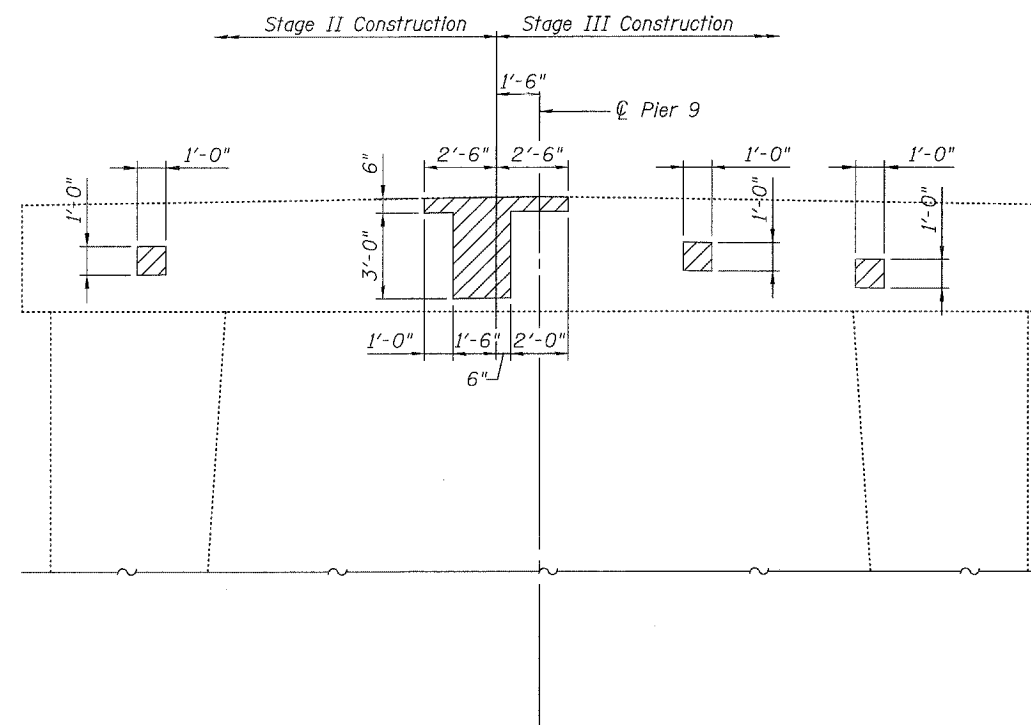
SHEET NO. 3
39 SHEETS

Contract #76899



WEST SIDE PIER 9

(Looking East)



EAST SIDE PIER 9

(Looking West)

Note:
Hatched area indicates approximate area of Structural Repair of Concrete. Exact repair area to be determined by Engineer.

BILL OF MATERIAL

Structural Repair of Concrete ($\leq 5"$)	Sq. Ft.	25
---	---------	----

PIER 9 CONCRETE REPAIRS
OLD U.S. ROUTE 50 OVER
SHOAL CREEK
F.A.S. ROUTE 1780 - SECTION 24-BR-
CLINTON COUNTY
STA. 102+51.47
STRUCTURE NO. 014-0062

PLOT DATE = 05/15/2006
FILE NAME = h:\p\25004\technical\production\structural\sn_014-0062\final_plans\0062-32-pier-9aht.dgn
PLOT SCALE = 0:1.0000 ' / IN.
USER NAME = \$USER\$