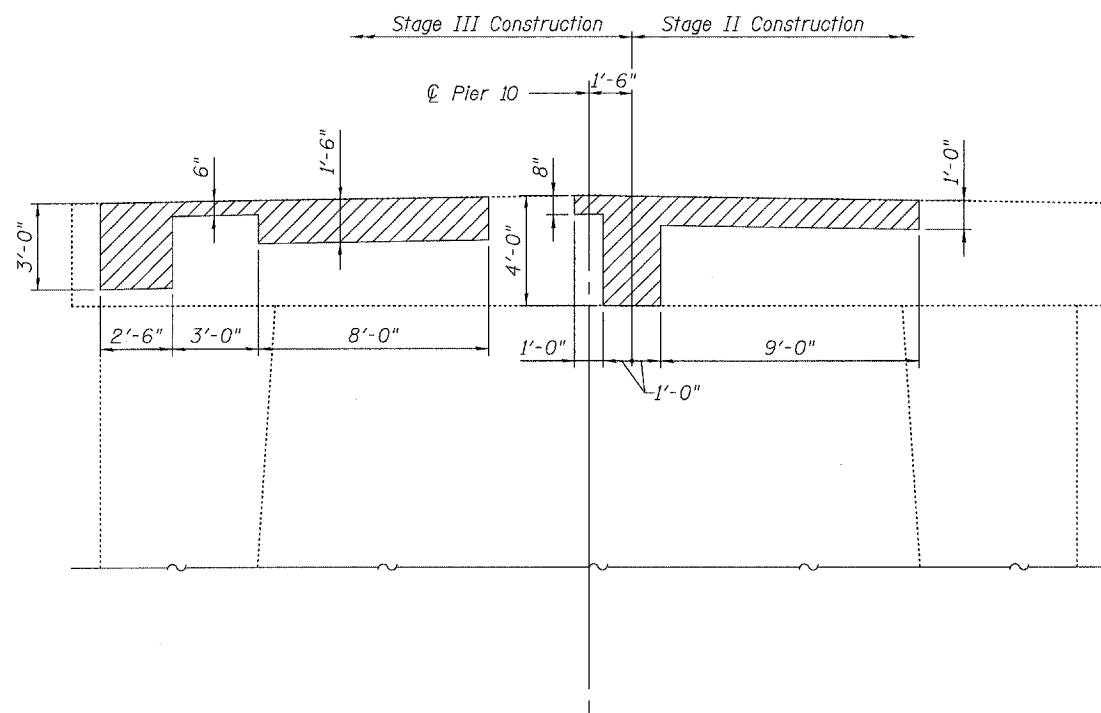


STATE OF ILLINOIS  
DEPARTMENT OF TRANSPORTATION

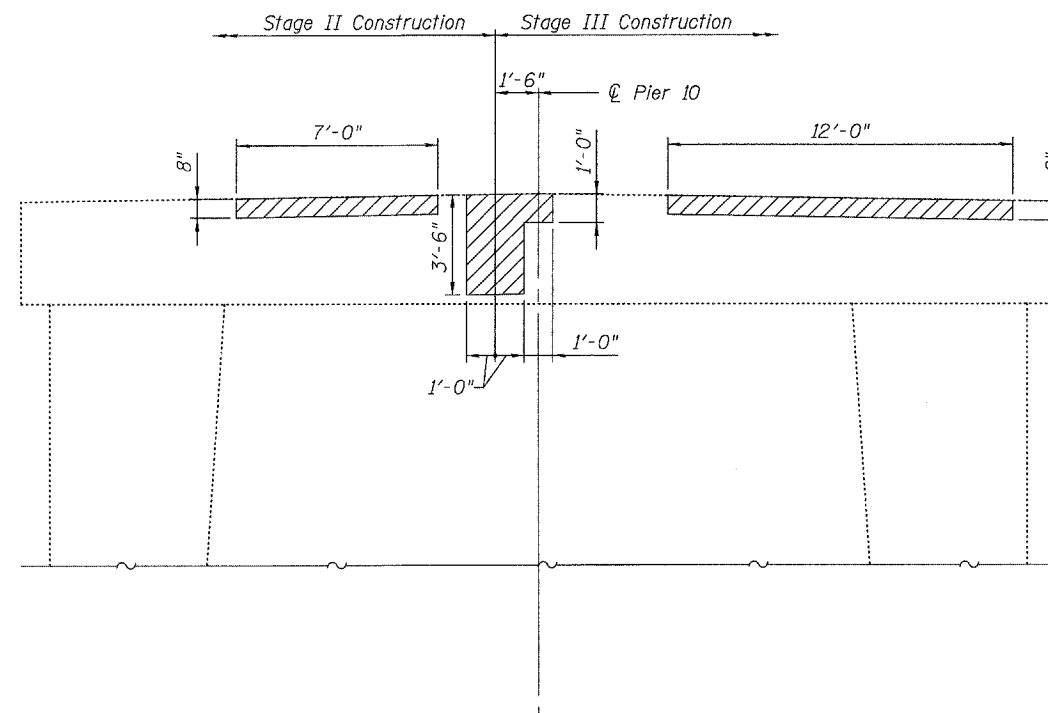
ROUTE NO.	SECTION	COUNTY	TOTAL SHEETS	SHEET
-	-	-	63	57
FED. ROAD DIST. NO. 7		ILLINOIS	FED. AID PROJECT-	

SHEET NO. 3  
39 SHEETS

Contract #76899



**WEST SIDE PIER 10**  
(Looking East)



**EAST SIDE PIER 10**  
(Looking West)

Note:  
Hatched area indicates approximate area of Structural Repair of Concrete. Exact repair area to be determined by Engineer.

**BILL OF MATERIAL**

Structural Repair of Concrete ( $\leq 5"$ )	Sq. Ft.	59

**PIER 10 CONCRETE REPAIRS**  
**OLD U.S. ROUTE 50 OVER**  
**SHOAL CREEK**  
**F.A.S. ROUTE 1780 - SECTION 24-BR-**  
**CLINTON COUNTY**  
**STA. 102+51.47**  
**STRUCTURE NO. 014-0062**

PLOT DATE = 05/15/2006  
FILE NAME = h:\p\25004\technical\production\structural\van 014-0062\final\plans\0062-33-pier10sht.dgn  
PLOT SCALE = 01:0000 ' = 1" / IN.  
USER NAME = \$USER\$