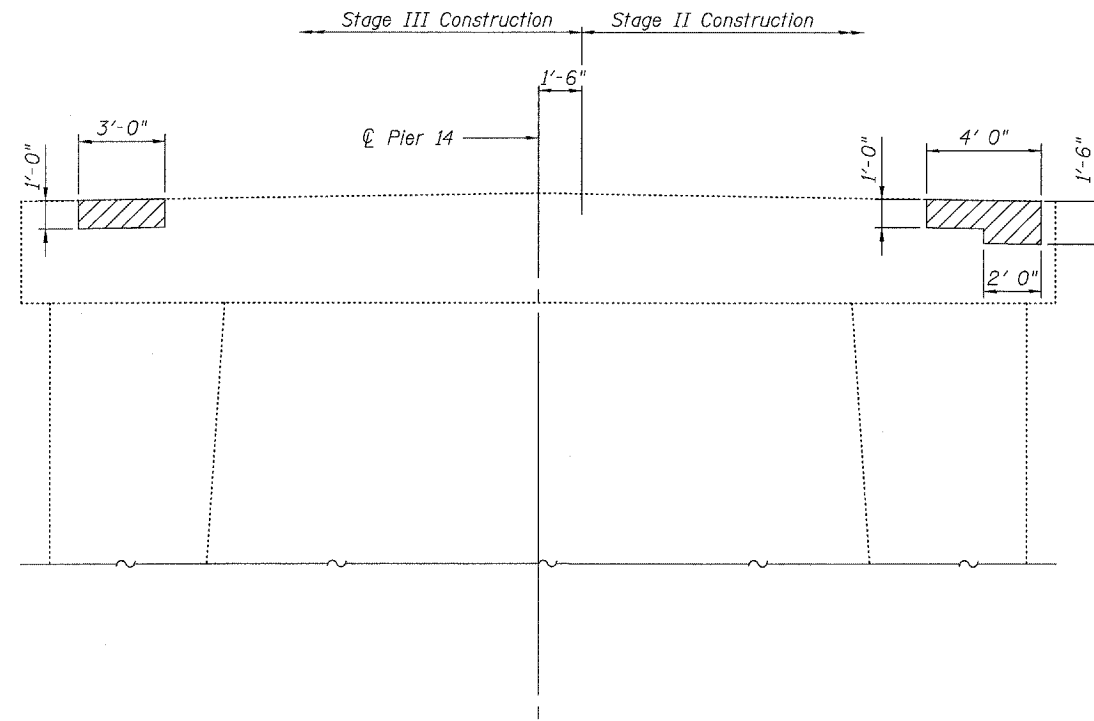


STATE OF ILLINOIS
DEPARTMENT OF TRANSPORTATION

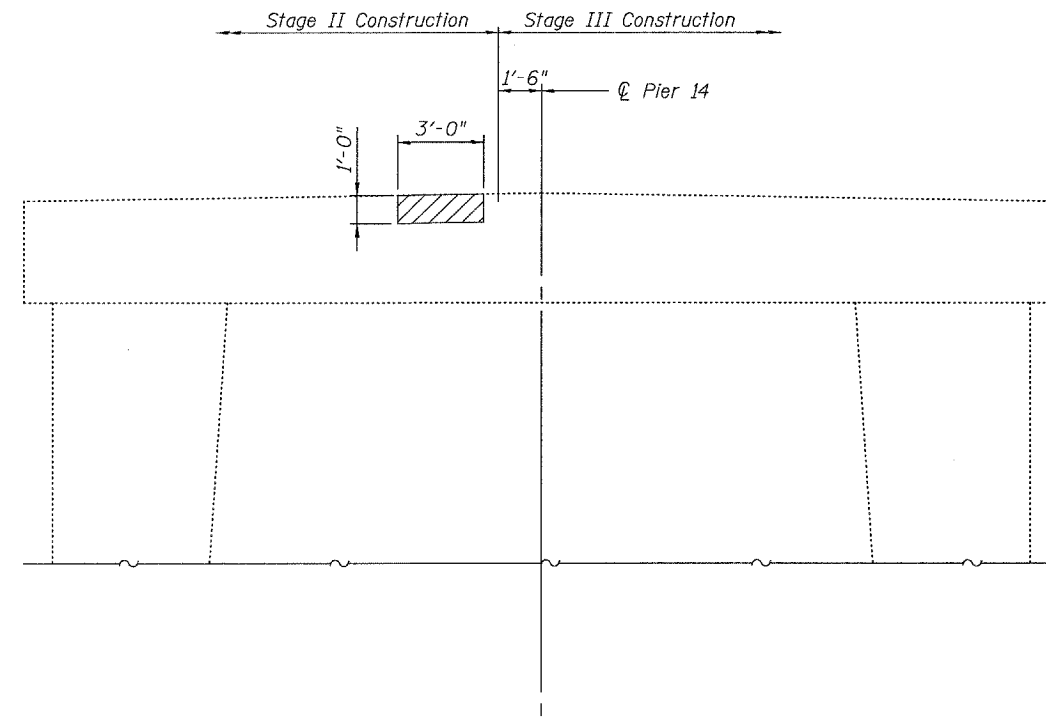
ROUTE NO.	SECTION	COUNTY	TOTAL SHEETS	SHEET NO.
-	-	-	63	61
FED. ROAD DIST. NO. 7	ILLINOIS	FED. AID PROJECT-		

SHEET NO. 31
39 SHEETS

Contract #76899



WEST SIDE PIER 14
(Looking East)



EAST SIDE PIER 14
(Looking West)

Note:
Hatched area indicates approximate area of Structural Repair of Concrete. Exact repair area to be determined by Engineer.

BILL OF MATERIAL

Structural Repair of Concrete (≤ 5")	Sq. Ft.	11

PIER 14 CONCRETE REPAIRS
OLD U.S. ROUTE 50 OVER
SHOAL CREEK
F.A.S. ROUTE 1780 - SECTION 24-BR-2
CLINTON COUNTY
STA. 102+51.47
STRUCTURE NO. 014-0062

PLOT DATE = 05/15/2006
FILE NAME = h:\p\25000\technical production\structural\en 014-0062\final plans\0062-37-pier14.stgdgn
PLOT SCALE = 0.1/0.000 1" = 10'-0"
USER NAME = \$USER\$