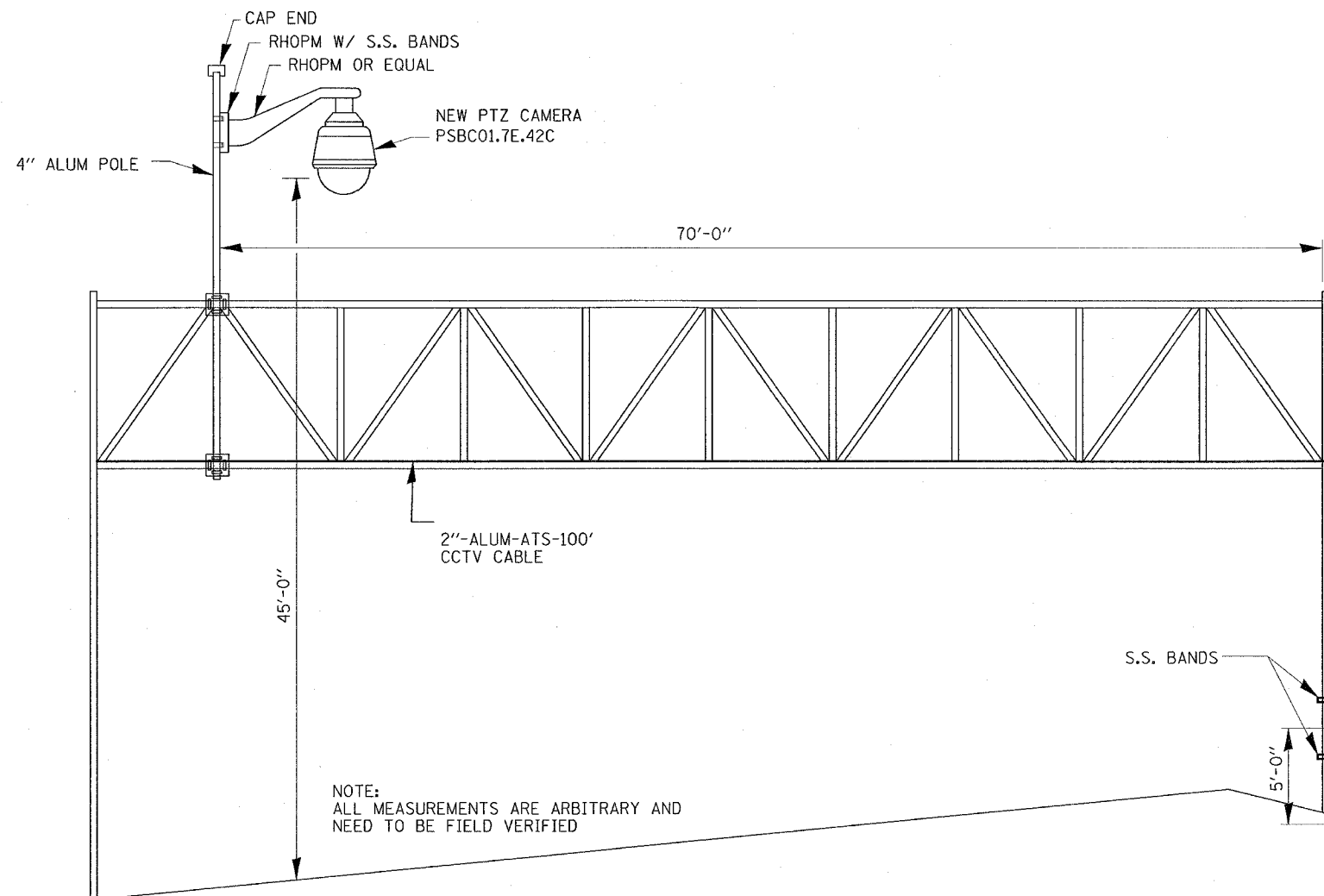
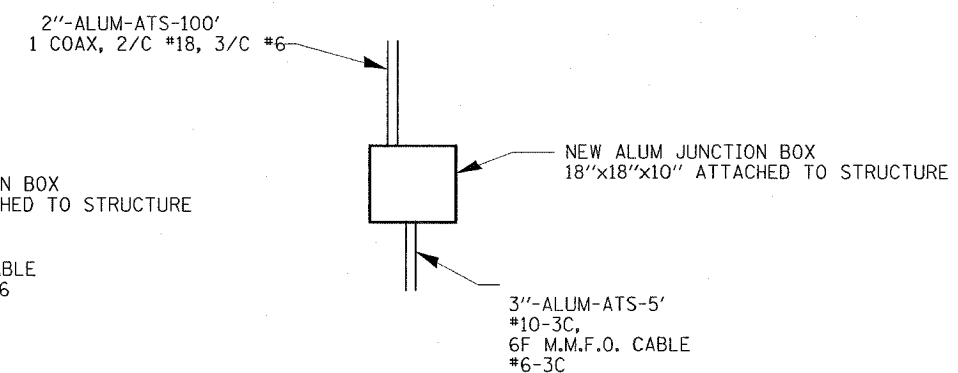


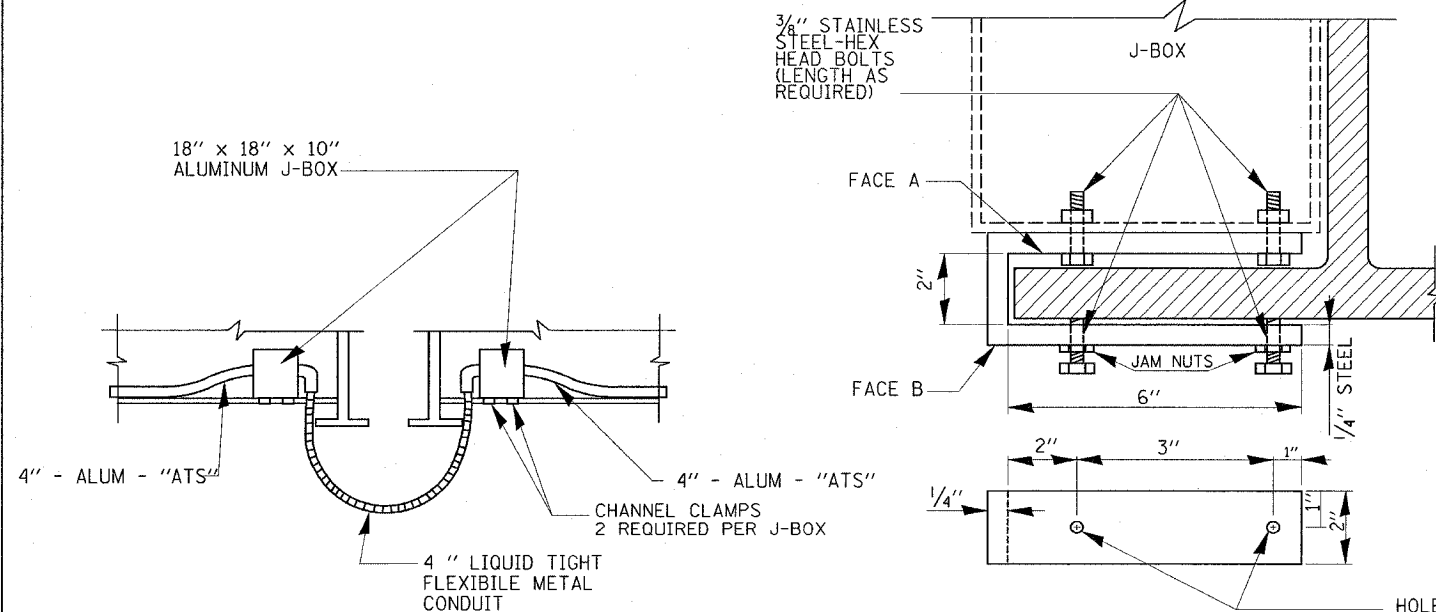
|                     |   |                  |              |           |
|---------------------|---|------------------|--------------|-----------|
| ROUTE               | SECTION                                     | COUNTY           | TOTAL SHEETS | SHEET NO. |
| •                   | **  | ***              | 52           | 7         |
| STA.                | TO STA.                                     |                  |              |           |
| FED. ROAD DIST. NO. | ILLINOIS                                    | FED. AID PROJECT |              |           |
| •                   | FAI 55/70                                   | CONTRACT# 76973  |              |           |
| **                  | DIST 8 ITS 2006-2                           |                  |              |           |
| ***                 | MADISON & ST. CLAIR & CITY OF ST. LOUIS, MO |                  |              |           |



NOTE:  
ALL MEASUREMENTS ARE ARBITRARY AND  
NEED TO BE FIELD VERIFIED



SECTION A-A'



TYPICAL CONDUIT EXPANSION JOINT

VIEW OF FACE A & B  
CHANNEL CLAMP DETAIL D

HOLES (1/2" Ø FOR FACE A  
FOR FACE B HOLES SHALL  
BE TAPPED FOR 3/8" SET SCREW  
DIA. AS REQUIRED)

| REVISIONS |      | ILLINOIS DEPARTMENT OF TRANSPORTATION   |
|-----------|------|---|
| NAME      | DATE |   |
|           |      | TRUSS MOUNT CCTV DETAILS  |
|           |      |   |
|           |      |   |
|           |      |   |
|           |      |   |
|           |      |   |
|           |      |   |
|           |      |   |
|           |      |   |
|           |      |   |
|           |      | FAI 55/70<br>SECTION DIST 8 ITS 2006-2<br>MADISON AND ST. CLAIR COUNTY<br>AND ST. LOUIS, MO |
|           |      | DATE 5/23/2006  |

PLOT DATE = 5/23/2006  
FILE NAME = c:\projects\11685\auto\truss\truss.dgn  
PLOT SCALE = 100/1548 / IN.  
REFERENCE = NREF#