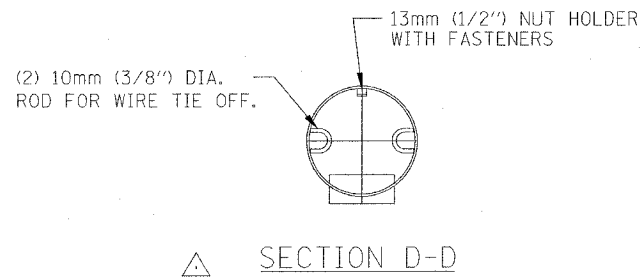
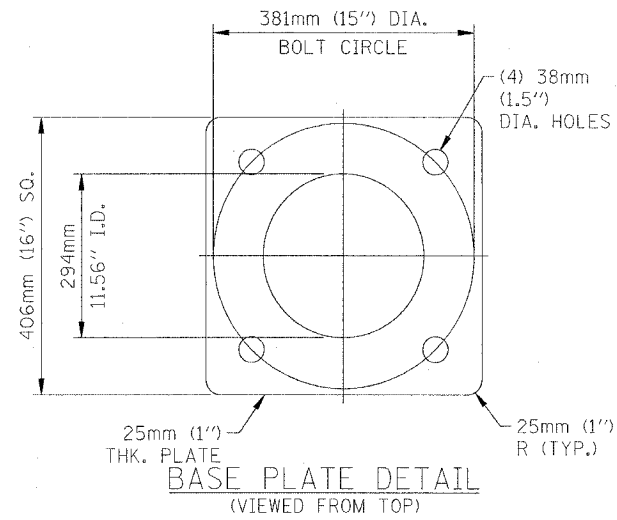
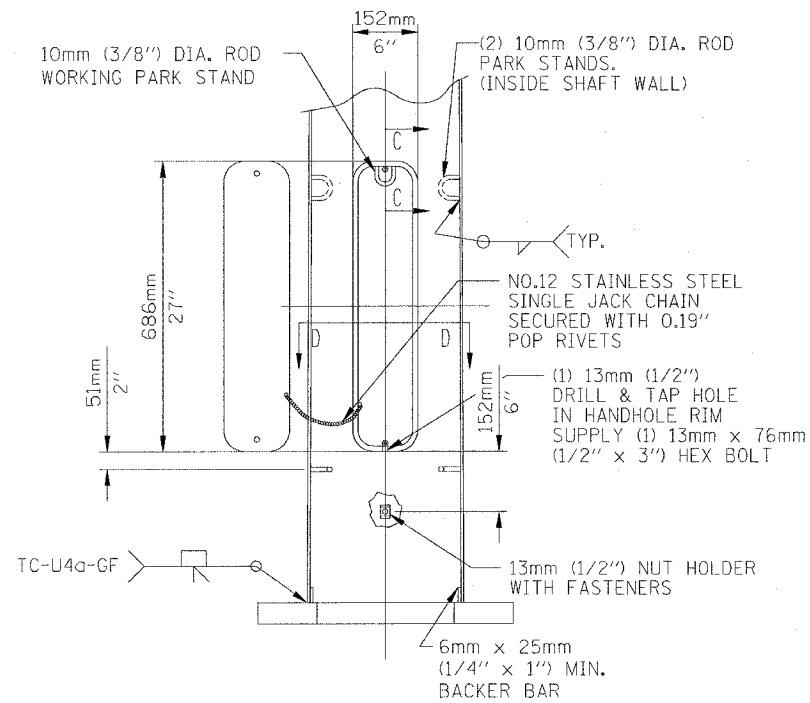
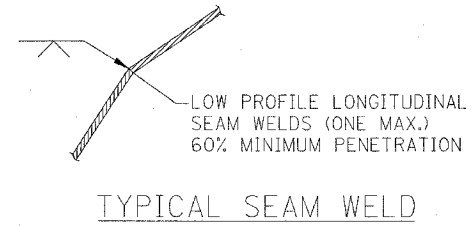
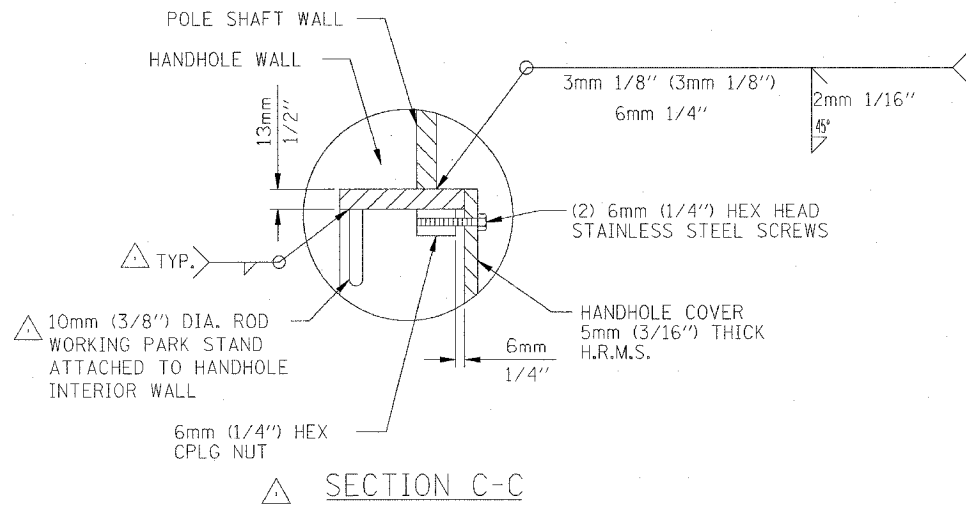


ROUTE	SECTION	COUNTY	TOTAL SHEETS	SHEET NO.
•	••	•••	52	13
STA.	TO STA.			
FED. ROAD DIST. NO. - ILLINOIS FED. AID PROJECT				
• FAI 55/70			CONTRACT# 76973	
•• DIST 8 ITS 2006-2				
••• MADISON & ST. CLAIR & CITY OF ST. LOUIS, MO				



PLOT DATE = 5/23/2006
 PLOT SCALE = 1:1
 PLOT REFERENCE = REF#

REVISIONS	
NAME	DATE

ILLINOIS DEPARTMENT OF TRANSPORTATION
 POLE MOUNTED CCTV DETAIL WITH
 CAMERA LOWERING DEVICE (SHEET 3 OF 3)

FAI 55/70
 SECTION DIST 8 ITS 2006-2
 MADISON AND ST. CLAIR COUNTY
 AND ST. LOUIS, MO

DATE 5/23/2006