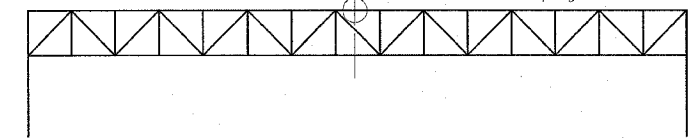
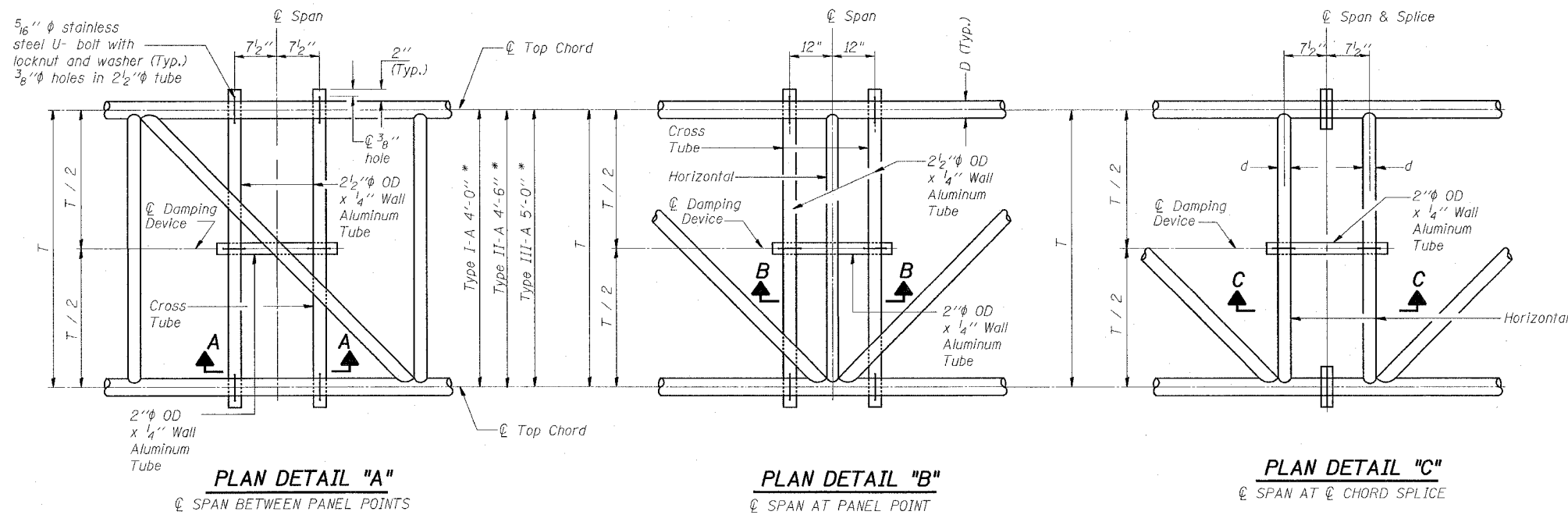


STATE OF ILLINOIS
DEPARTMENT OF TRANSPORTATION

* Center of horizontal to center of splice dimension may vary. Verify before drilling holes in mounting tube.

ROUTE	SECTION	COUNTY	TOTAL SHEETS	SHEET NO.
.	**	***	52	14

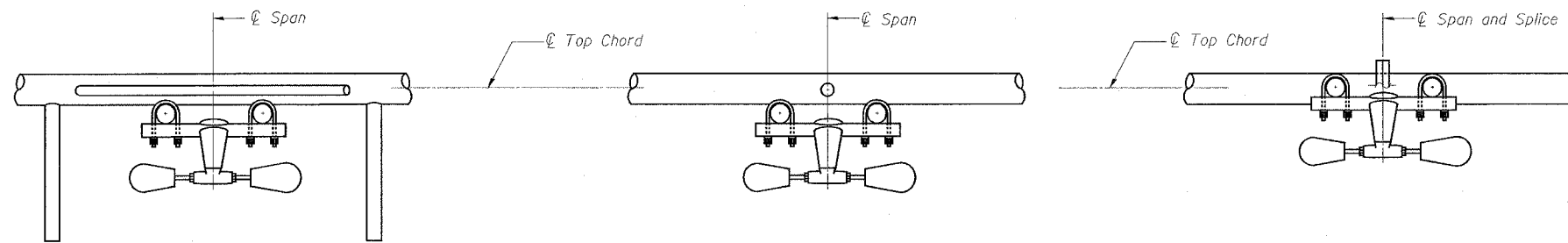
STA.	TO STA.
FED. ROAD DIST. NO.	ILLINOIS FED. AID PROJECT
FAI 55/70	CONTRACT# 76973
DIST 8 ITS 2006-2	
MADISON & ST. CLAIR & CITY OF ST. LOUIS, MO	



ELEVATION
Aluminum Overhead Sign Truss

NOTES

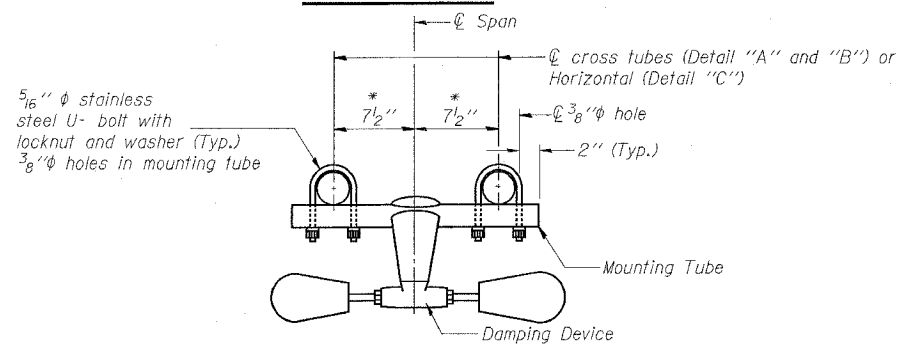
Damper: One damper per truss. (31 lbs. Stockbridge-Type. Alum.)
Materials: Aluminum tubes shall be ASTM B221 alloy 6061 temper T6. Cost included in "Overhead Sign Structure..."



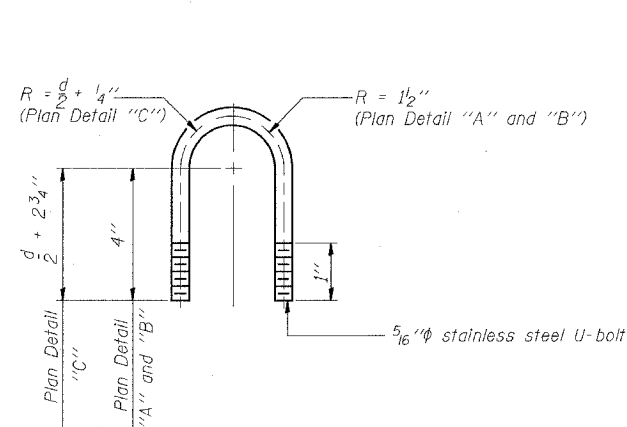
SECTION A-A

SECTION B-B

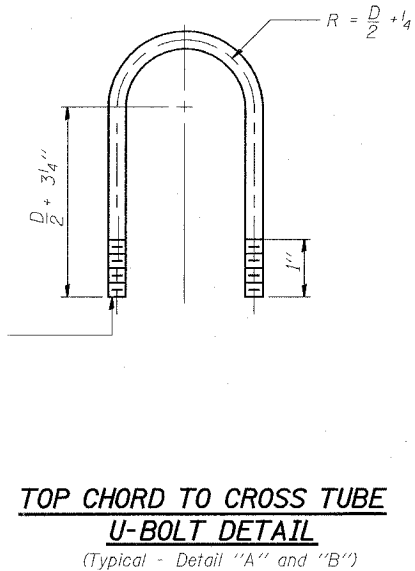
SECTION C-C



TRUSS DAMPING DEVICE CONNECTION DETAIL
(Typical)



DAMPING DEVICE MOUNTING TUBE U-BOLT DETAIL
(Typical)



TOP CHORD TO CROSS TUBE U-BOLT DETAIL
(Typical - Detail "A" and "B")

DESIGNED	
CHECKED	
DRAWN	J.K.M.
CHECKED	

EXAMINED	19
PASSED	ENGINEER OF STRUCTURAL SERVICES
	ENGINEER OF BRIDGES AND STRUCTURES

OS-A-D

7/1/2001

REVISIONS	
NAME	DATE

ILLINOIS DEPARTMENT OF TRANSPORTATION
OVERHEAD SIGN STRUCTURE DAMPING DEVICE
FAI 55/70
SECTION DIST 8 ITS 2006-2
MADISON AND ST. CLAIR COUNTY AND ST. LOUIS, MO
DATE 5/23/2006