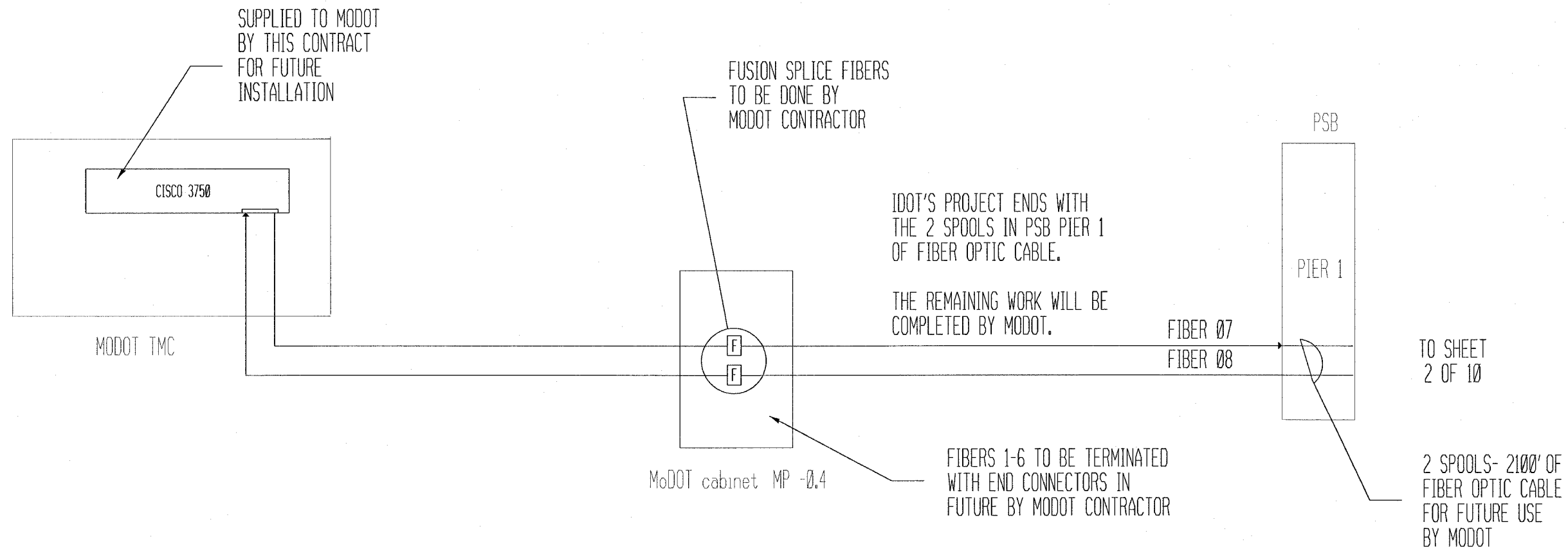


ROUTE	SECTION	COUNTY	TOTAL SHEETS	SHEET NO.
•	••	•••	52	35
STA.		TO STA.		
FED. ROAD DIST. NO.	ILLINOIS	FED. AID PROJECT		
•	FAI 55/70	CONTRACT# 76973		
••	DIST 8 ITS 2006-2			
•••	MADISON & ST. CLAIR & CITY OF ST. LOUIS, MO			



MODOT TMC/ MODOT MP-0.4 CABINET/ PSB PIER 1  
COMMUNICATION SHEET 1 OF 10

REVISIONS		ILLINOIS DEPARTMENT OF TRANSPORTATION
NAME	DATE	
		<p>MODOT CONNECTIONS</p> <p>FAI 55/70 SECTION DIST 8 ITS 2006-2 MADISON AND ST. CLAIR COUNTY AND ST. LOUIS, MO</p> <p>DATE 5/23/2006</p>

PLOT DATE = 5/23/2006  
FILE NAME = c:\projects\med1605\electrical\step111605.dgn  
PLOT SCALE = 100.0002 / IN.  
REFERENCE = #REF#