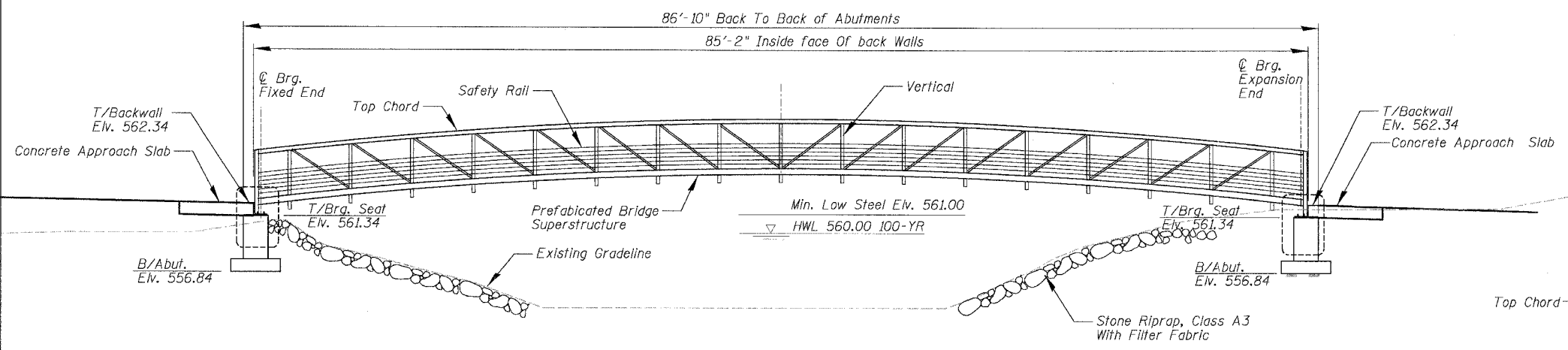
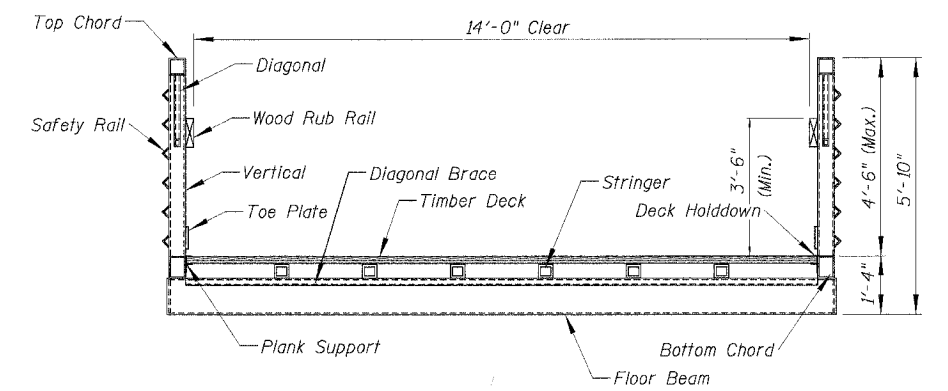


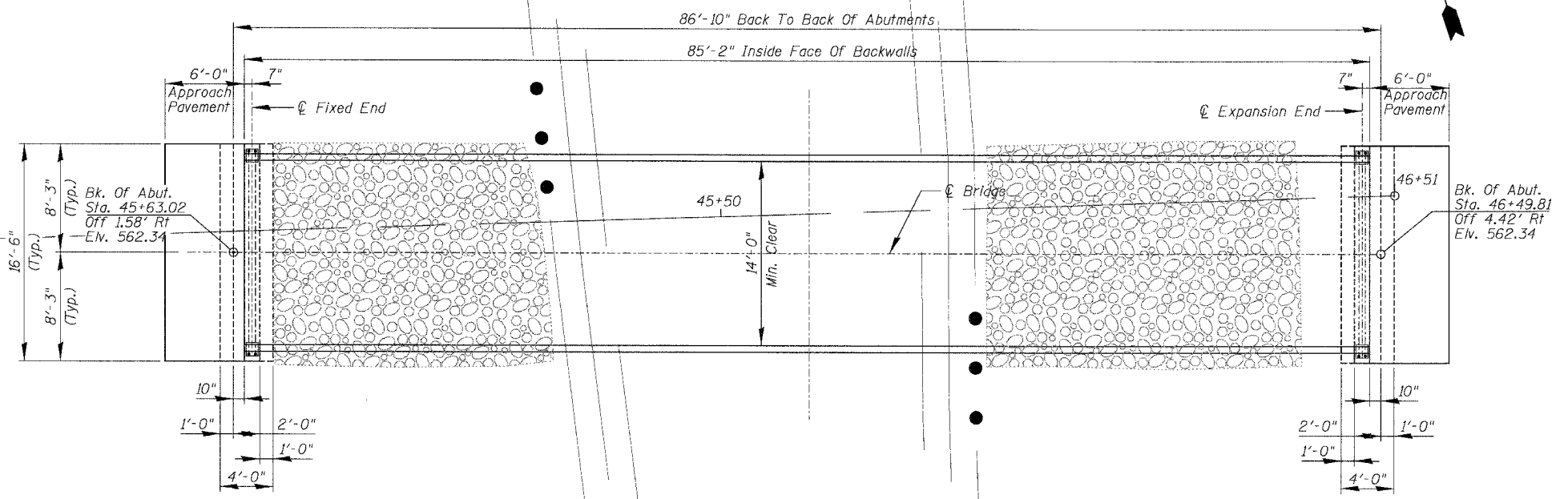
F.A.U. RTE.	SECTION	COUNTY	TOTAL SHEETS	SHEET NO.
--	00-P4003-00-BT	WILL	57	17A
STA.	TO STA.			
FED. ROAD DIST. NO. 1 ILLINOIS FED. AID PROJECT				
CONTRACT NO. 83532				



BRIDGE ELEVATION
Scale: 3/16" = 1'-0"



CROSS SECTION



BRIDGE PLAN
Scale: 3/16" = 1'-0"

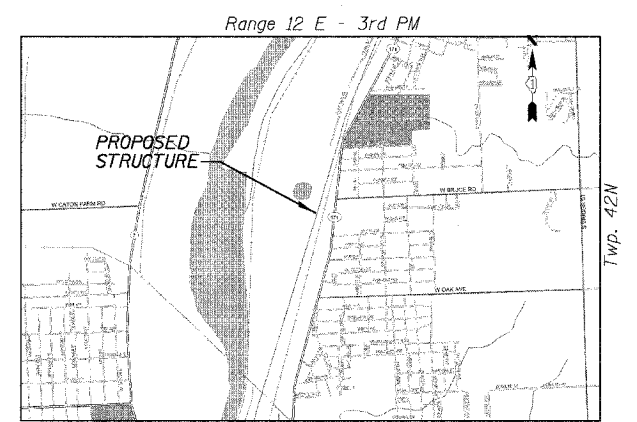
LOADING H5

DESIGN SPECIFICATIONS
1997 AASHTO Guide Specifications for Pedestrian Bridges
2002 AASHTO Standard Specifications For Highway Bridges (17th Edition)

DESIGN STRESSES
FIELD UNITS

$f'_c = 4,000$ psi
 $f_y = 50,000$ psi (structural steel) (M270 Grade 50W)
 $f_y = 60,000$ psi (Reinf.)

SEISMIC DATA
Seismic Performance Category (SPC) = A
Bedrock Acceleration Coefficient = 0.04
Site Coefficient = 1.0



LOCATION SKETCH

REVISIONS NAME	DATE
STRUCTURE REVISIONS	7/5/02

ILLINOIS DEPARTMENT OF TRANSPORTATION
GENERAL PLAN

SCALE: AS SHOWN
DATE: 2/14/2006

DRAWN BY: PDR
CHECKED BY: JPR

M:\Projects\1401_23\BULLLE#\000\PLAN\STRUCTURE\0125-PROG.TSX