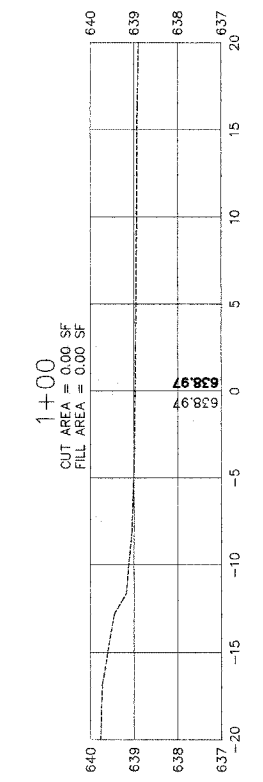
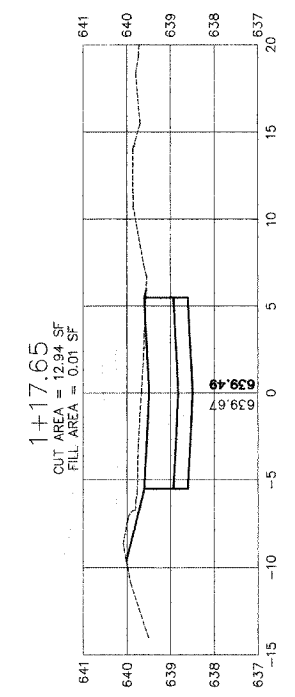
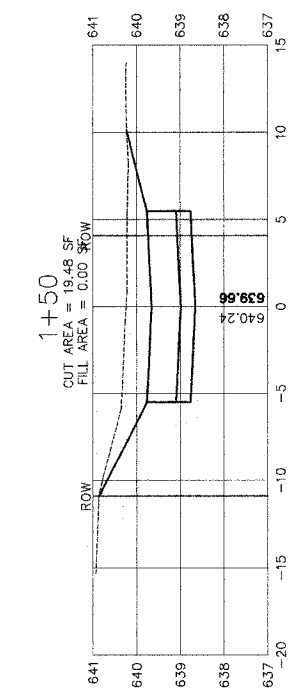
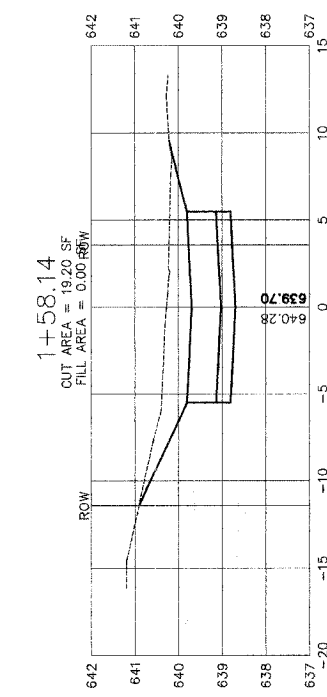
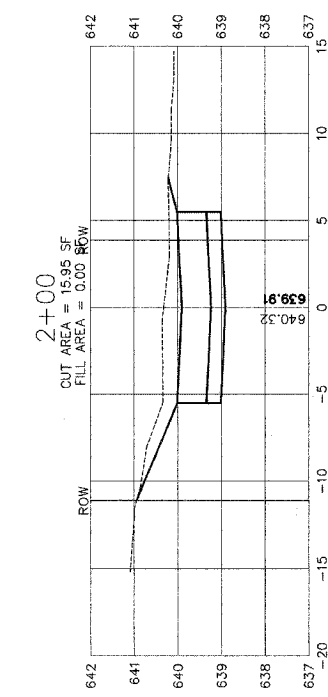
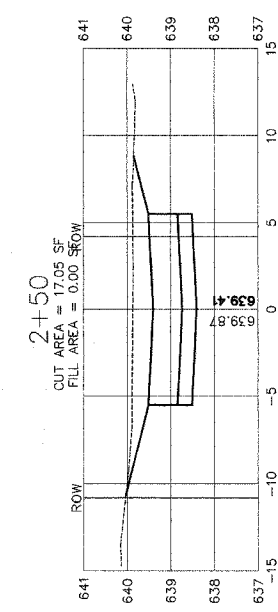
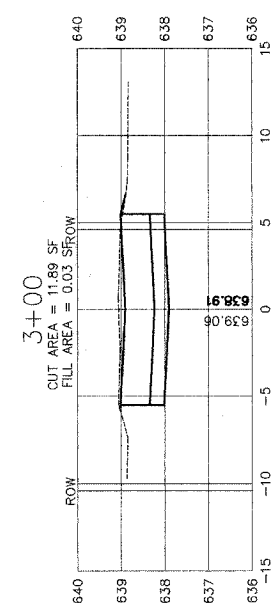
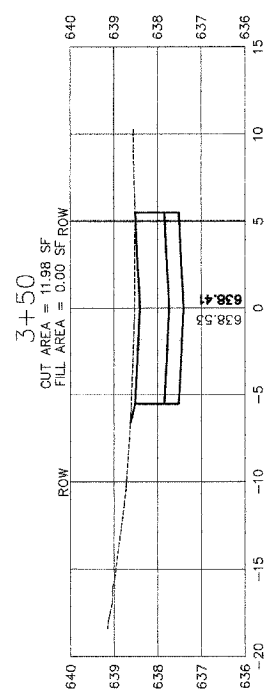


F.A. RTE.	SECTION	COUNTY	TOTAL SHEETS	SHEET NO.
05-00194-00-RP		COOK	58	48
STA.		TO STA.		
FED. ROAD DIST. NO. _		ILLINOIS	FED. AID PROJECT	

ORIGINAL SURVEY NO.	DATE	BY
SURVEYED SURVEY NO.	DATE	BY
NOTE BOOK NO.	DATE	BY
AREAS CHECKED	DATE	BY

ORIGINAL SURVEY NO.	DATE	BY
SURVEYED SURVEY NO.	DATE	BY
NOTE BOOK NO.	DATE	BY
AREAS CHECKED	DATE	BY

PLOT DATE = 2/13/2006 3:08:27 PM
 FILE NAME = N:\ENGINEERING\LAND PROJECTS 2006\050305-01-17 ALLEY\DWG\250305-01-17 ALLEY.DWG
 PLOT SCALE = P = .001
 USER NAME = JODDLEFS



REVISIONS	
NAME	DATE

ILLINOIS DEPARTMENT OF TRANSPORTATION
 CITY OF DES PLAINES - ALLEY IMPROVEMENTS
 CORA - WHITE ALLEY
 EVERETT TO RIVERVIEW
 CROSS SECTIONS
 STA 1+00 TO 3+50
 SCALE: VERT. 1" = 2'
 HORIZ. 1" = 10'
 DATE 2-17-06
 DRAWN BY BLS
 CHECKED BY AJD