

F.A.P. RTE.	SECTION	COUNTY	TOTAL SHEETS	SHEET NO.
361	06-00079-00-RS	DUPAGE	29	1
FED. ROAD DIST. NO.	ILLINOIS	FED. AID PROJECT		

83857

STATE OF ILLINOIS DEPARTMENT OF TRANSPORTATION DIVISION OF HIGHWAYS PLANS FOR PROPOSED FEDERAL-AID URBAN PROJECT FAP361 (STEARNS ROAD)

FROM SOUTH BARTLETT ROAD TO COUNTY FARM ROAD
RESURFACING (LAPP PROJECTS)
SECTION NO. 06-00079-00-RS
PROJECT NO: F-0361 (023)
JOB NO. C-91-305-06
VILLAGE OF BARTLETT, DuPAGE COUNTY

INDEX OF SHEETS

- 1 COVER SHEET
- 2 LEGEND, GENERAL NOTES AND SUMMARY OF QUANTITIES
- 3-4 TYPICAL SECTIONS
- 5 TRAFFIC CONTROL PLAN
- 6-22 PLAN AND PROFILES
- 23-26 PAVEMENT MARKING PLANS
- 27-28 DETAILS

HIGHWAY STANDARDS

- 424001-04 CURB RAMPS FOR SIDEWALKS
- 442201-01 CLASS C AND D PATCHES
- 606001-02 CONCRETE CURB TYPE B AND COMBINATION CONCRETE CURB AND GUTTER
- 701501-03 URBAN LANE CLOSURE 2L, 2W UNDIVIDED
- 701701-04 URBAN LANE CLOSURE MULTILANE INTERSECTION
- 701801-03 LANE CLOSURE MULTILANE 1W OR 2W CROSSWALK OR SIDEWALK CLOSURE
- 702001-06 TRAFFIC CONTROL DEVICES
- 780001-01 TYPICAL PAVEMENT MARKINGS
- 781001-02 TYPICAL APPLICATIONS RAISED REFLECTIVE PAVEMENT MARKERS (SNOW-PLOW RESISTANT)
- 886001 DETECTOR LOOP INSTALLATIONS
- 886006 TYPICAL LAYOUTS FOR DETECTION LOOPS
- BD-24 CURB OR CURB AND GUTTER REMOVAL AND REPLACEMENT

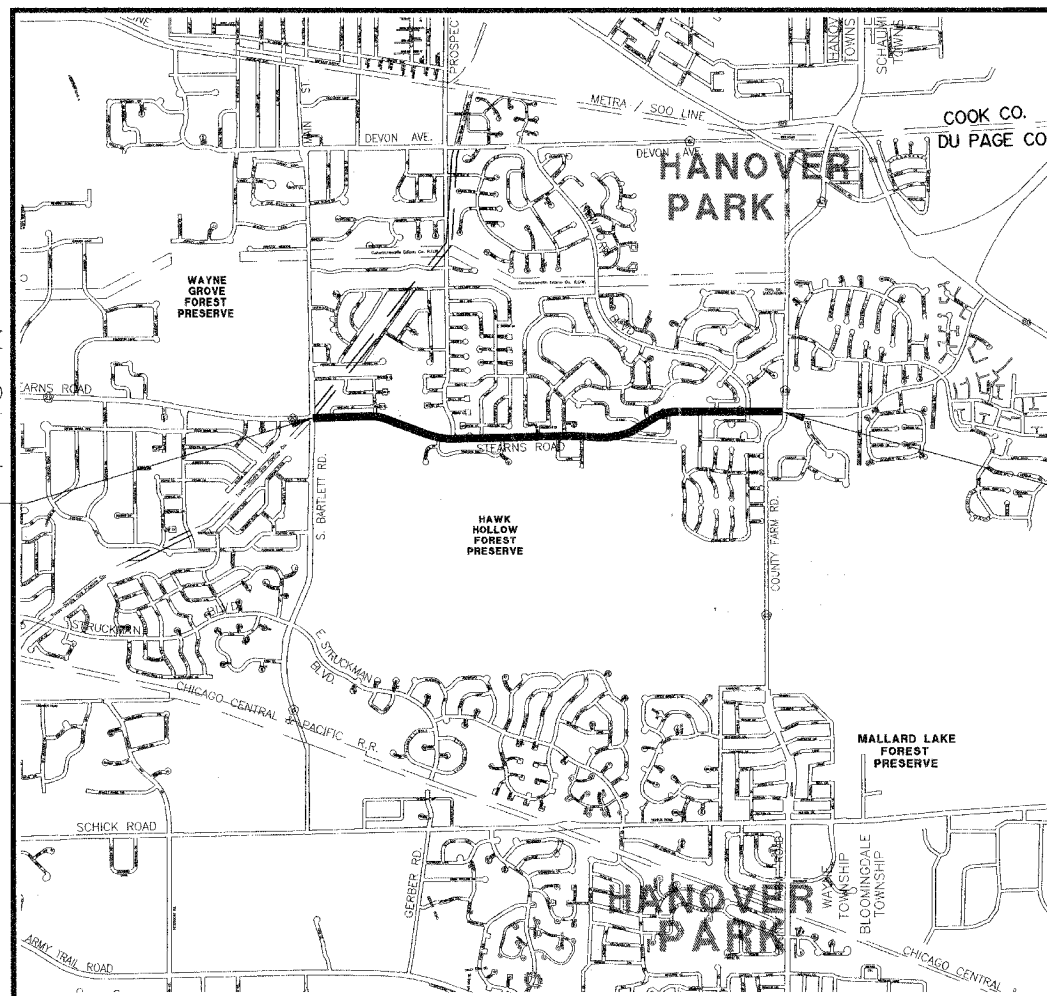
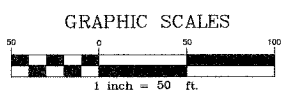
TRAFFIC DATA

ADT = 14,900 (CURRENT)
ADT = 21,150 (2030)

POSTED SPEED LIMIT

35 M.P.H.
MINOR ARTERIAL ROAD

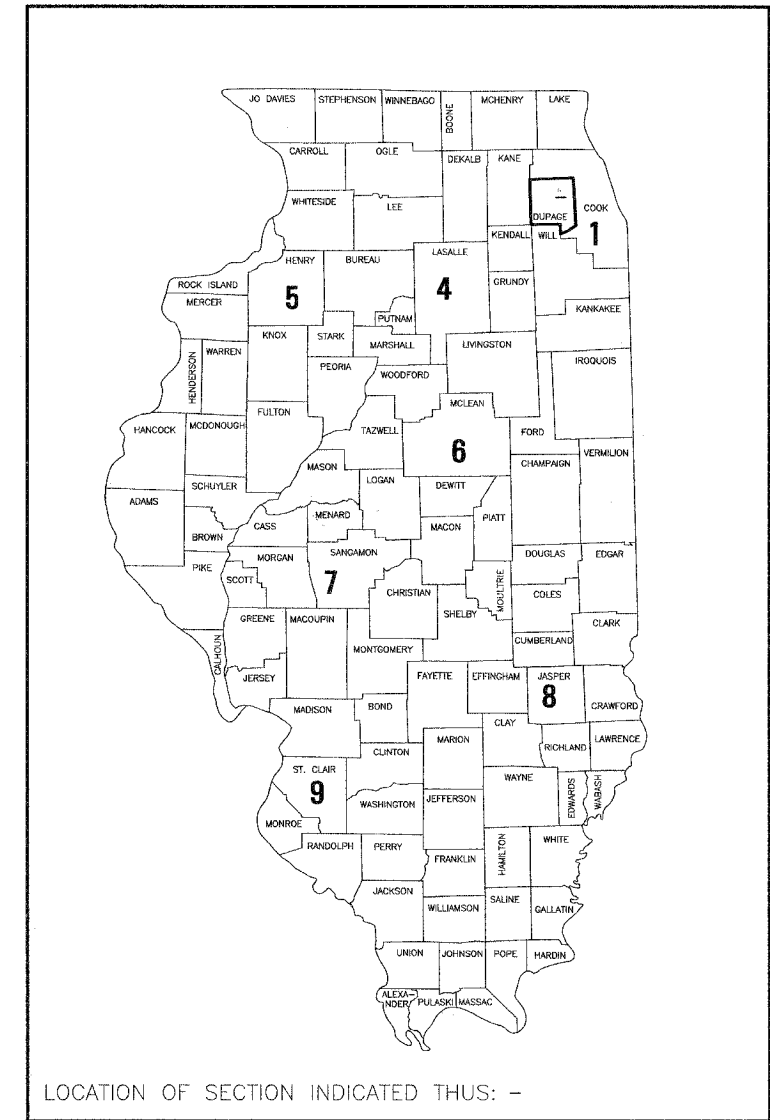
FOR JOINT UTILITY INFORMATION



IMPROVEMENT BEGINS
STA. 10+30
STEARNS ROAD

IMPROVEMENT ENDS
STA. 102+17
STEARNS ROAD

SCALE: NONE



LOCATION OF SECTION INDICATED THUS: -

DALE V. MARTING, P.E.
No. 062-25264

APPROVED: *Paul J. Gueto* 20.06
LOCAL AGENCY OFFICIAL

PASSED: *MAY 24* 20.06
LOCAL ROADS & STREETS

SIGNED: *MAY 25* 20.06
Deane M. O'Keefe, Jr.
DEPT. DIRECTOR OF HIGHWAYS, REGION ENGINEER

**STATE OF ILLINOIS
DEPARTMENT OF TRANSPORTATION**

PAVIA-MARTING & CO.
910 WEST LAKE STREET
ROSELLE, IL 60172-3352
(630) 529-8000 FAX (630) 894-4910
Design Firm Professional Registration #184002376

PMC PROJECT NO. 2809/DS
PRINTED BY AUTHORITY OF THE STATE OF ILLINOIS

LENGTH OF IMPROVEMENT
GROSS AND NET PROJECT LENGTH (STEARNS ROAD) = 9187 FEET = 1.740 MILES

F.A.P. RTE.	SECTION	COUNTY	TOTAL SHEETS	SHEET NO.
361	06-00079-00-RS	DUPAGE	28	2
	FED. ROAD DIST. NO.	ILLINOIS	FED. AID PROJECT	

CONTRACT NO. 83857

GENERAL NOTES

- ALL WORK SHALL BE DONE IN ACCORDANCE WITH THE "STANDARD SPECIFICATIONS FOR ROAD AND BRIDGE CONSTRUCTION", ADOPTED JANUARY 1, 2002, THE LATEST EDITION OF THE "ILLINOIS MANUAL ON UNIFORM TRAFFIC CONTROL DEVICES FOR STREETS AND HIGHWAYS" AND "THE SUPPLEMENTAL SPECIFICATIONS AND RECURRING SPECIAL PROVISIONS" ADOPTED MARCH 1, 2005.
- THE CONTRACTOR SHALL ARRANGE WITH THE VARIOUS UTILITY COMPANIES FOR THE LOCATION AND ANY NECESSARY ADJUSTING OF THE PRIVATELY OWNED OVERHEAD OR UNDERGROUND UTILITIES WITHIN THE LIMITS OF CONSTRUCTION.
- THE CONTRACTOR SHALL LIMIT CONSTRUCTION ACTIVITIES AND STORAGE OF EQUIPMENT OR MATERIALS TO THE PUBLIC R.O.W. AND TEMPORARY EASEMENTS. ANY DAMAGE TO PRIVATE PROPERTY OR FENCES SHALL BE REPAIRED AT THE CONTRACTOR'S EXPENSE.
- WHERE SECTION, SUB-SECTION MONUMENTS OR BENCH MARKS ARE ENCOUNTERED, THE ENGINEER SHALL BE NOTIFIED BY THE CONTRACTOR BEFORE SUCH MONUMENTS ARE REMOVED. THE CONTRACTOR SHALL PROTECT AND CAREFULLY PRESERVE ALL PROPERTY IRONS AND MONUMENTS UNTIL THE OWNER, AN AUTHORIZED SURVEYOR OR AGENT HAS WITNESSED OR OTHERWISE REFERENCED THEIR LOCATION.
- THE CONTRACTOR SHALL PROVIDE AND INSTALL TWO (2) WEIGHTED SAND BAGS ON EACH TYPE I OR TYPE II BARRICADE USED. ONE (1) WEIGHTED SAND BAG SHALL BE USED ACROSS EACH BOTTOM RAIL.
- ALL AGGREGATE FOR SUB-BASE AND BASE COURSE SHALL BE CRUSHED.
- ALL ITEMS TO BE REMOVED (DRIVEWAYS, PAVEMENT, CURB & GUTTER, ETC.) SHALL BE SAW CUT FULL DEPTH. THE COST FOR THE SAW CUT SHALL BE INCLUDED IN THE COST OF THE RESPECTIVE PAY ITEM.
- CONTRACTION JOINTS SHALL BE SAWS A MINIMUM OF 3" DEEP IN THE COMBINATION CURB AND GUTTER AT FIFTEEN (15) FOOT INTERVALS. PREFORMED EXPANSION JOINTS (3/4" OR 1") SHALL BE REQUIRED AT EVERY PC AND PT AND AT FORTY-FIVE (45) FOOT INTERVALS.
- AT A POINT FIVE (5) FEET ON BOTH SIDES OF EACH DRAINAGE STRUCTURE CONSTRUCTED IN THE COMBINATION CURB AND GUTTER LINE, THE CONTRACTOR SHALL INSTALL A ONE (1) INCH EXPANSION JOINT CONFORMING TO THE CROSS SECTION OF THE CURB AND GUTTER INVOLVED. THE CURB AND GUTTER SHALL BE WIDENED AND THICKENED AT EACH DRAINAGE STRUCTURE LOCATED IN THE GUTTER LINE IN ACCORDANCE WITH THE DETAILS SHOWN ON THE PLANS.
- NO CONCRETE SHALL BE PLACED UNTIL ALL THE FORMS HAVE BEEN INSPECTED FOR LINE, GRADE AND SUBGRADE CONDITIONS BY THE ENGINEER. INSPECTIONS SHALL BE ARRANGED AT LEAST TWENTY-FOUR (24) HOURS IN ADVANCE OF ANY CONCRETE PLACEMENT.
- RECYCLED ASPHALT PAVEMENT MATERIALS WILL NOT BE PERMITTED FOR BITUMINOUS CONCRETE SURFACE COURSE CONSTRUCTION.
- THE CONTRACTOR SHALL DEPRESS CURBS AT ALL DRIVEWAYS AND CROSSWALK LOCATIONS IN ACCORDANCE WITH THE DETAILS ON THE PLANS.
- THE BITUMINOUS MATERIAL PRIME COAT QUANTITIES HAVE BEEN DETERMINED USING A APPLICATION RATE OF 0.375 GAL./SQ. YD.
- THE TRANSITION FROM PROPOSED CURB AND GUTTER SECTION TO EXISTING CURB AND GUTTER SECTION WILL BE WITHIN SIX (6) FEET AND WILL BE PAID FOR AS THE PROPOSED CURB AND GUTTER OF THE TYPE SPECIFIED.
- THE ENGINEER SHALL BE THE SOLE JUDGE CONCERNING CURING TIME FOR THE VARIOUS BITUMINOUS LIFTS.
- THE CONTRACTOR SHALL TAKE ALL STEPS NECESSARY TO PROTECT ALL WET CONCRETE. ANY COMBINATION CURB AND GUTTER THAT IS DEFACED SHALL BE REPLACED AT THE CONTRACTOR'S EXPENSE.
- DUST SHALL BE CONTROLLED BY THE UNIFORM APPLICATION OF SPRINKLED WATER IN CONFORMANCE WITH THE SPECIAL PROVISIONS, BUT SHALL BE APPLIED ONLY WHEN DIRECTED BY ENGINEER. NO ADDITIONAL COMPENSATION SHALL BE PAID FOR THIS WORK.
- PORTABLE TOILETS SHALL BE PROVIDED ON THE JOB SITE IN CONFORMANCE WITH SECTION 107.08 OF THE STANDARD SPECIFICATION. THEY WILL BE REQUIRED DURING ALL PHASES OF CONSTRUCTION. THE COST FOR THE PORTABLE TOILETS SHALL BE INCIDENTAL TO THE CONTRACT.
- FOR STEEL BARS CERTIFICATION, PLEASE CONTACT BRYAN GROM OF BUREAU OF MATERIALS AT 847-705-4299.
- TEMPORARY RAMPS SHALL BE PROVIDED AT EACH DRIVEWAY, SIDEWALK AND BIKEPATH. THE RAMPS SHALL BE CONSTRUCTED IN SUCH A MANNER AS TO PREVENT DAMAGE TO VEHICULAR TRAFFIC. THE COST OF THE TEMPORARY RAMPS SHALL BE INCIDENTAL TO THE CONTRACT.
- ANY REMOVAL AND DISPOSAL OF EARTH OR SUBGRADE REQUIRED TO MEET THE MINIMUM PATCH OR DEPTH, AS DIRECTED BY THE ENGINEER, SHALL BE INCLUDED IN THE COST OF THE PATCH ITEM.
- ANY REMOVAL AND DISPOSAL OF UNSUITABLE OR UNSTABLE SUBGRADE, AS DIRECTED BY THE ENGINEER, SHALL BE INCLUDED IN THE COST OF THE PATCH ITEM.
- BITUMINOUS SHOULDERS WILL BE CONSTRUCTED AND PAID FOR AS BITUMINOUS CONCRETE BINDER COURSE AND BITUMINOUS CONCRETE SURFACE COURSE.

LEGEND

	EXISTING	PROPOSED
CATCH BASIN	○	
STORM MANHOLE	○ with crosshair	
INLET	□	
SANITARY MANHOLE	○ with circle	
VALVE VAULT	□ with circle	
VALVE BOX	●	
FIRE HYDRANT	○ with crosshair	
BUFFALO BOX	○ with crosshair	
POWER POLE	○ with crosshair	
LIGHT POLE	×	
LIGHT POLE WITH MAST ARM	× with vertical line	
DECIDUOUS TREE	⊙ with horizontal lines	
SPLICE BOX	⊙ with horizontal lines	
TRAFFIC SIGN	+	
STREET SIGN	+	
CONTROL POINT	△	
INLET & PIPE PROTECTION	—	
SILT FENCE	—	
GAS MAIN	—	
WATER MAIN	—	
ELECTRIC LINE	—	
O/H ELECTRIC LINE	—	
CABLE	—	
O/H CABLE	—	
TELEPHONE	—	
O/H TELEPHONE	—	
PROPERTY LINE	—	
LOT LINE	—	
STORM SEWER	—	
SANITARY SEWER	—	
CONTOUR	—	
COMBINATION CONC. CURB & GUTTER	—	ADJ
STRUCTURE TO BE ADJUSTED	—	ADJ
RAISED REFLECTIVE PAVEMENT MARKER (BIDIRECTIONAL AMBER)	◆	◆
RAISED REFLECTIVE PAVEMENT MARKER (MONODIRECTIONAL AMBER)	◀	◀
RAISED REFLECTIVE PAVEMENT MARKER (MONODIRECTIONAL CRYSTAL)	◁	◁

SUGGESTED CONSTRUCTION SEQUENCE

- INSTALL INFORMATION SIGNS AND INFORMATIONAL BOARDS.
- PLACE TRAFFIC CONTROL AND REMOVE EXISTING RAISED REFLECTIVE PAVEMENT MARKERS.
- GRIND EXISTING PAVEMENT AT LOCATIONS SHOWN ON THE PLAN AND PROFILE SHEETS.
- INSTALL TEMPORARY RAMPS AND SHORT TERM PAVEMENT MARKINGS.
- PATCH PAVEMENT, CURB AND GUTTER REMOVAL AND REPLACEMENT, AND SIDE WALK REMOVAL AND REPLACEMENT.
- REMOVE WORK ZONE PAVEMENT MARKINGS AND INSTALL SHORT TERM PAVEMENT MARKINGS.
- PLACE LEVEL BINDER AT THE LOCATIONS SHOWN ON THE PLAN AND PROFILE SHEETS.
- PLACE BINDER.
- INSTALL TEMPORARY RAMPS AND SHORT TERM PAVEMENT MARKINGS.
- PLACE SURFACE.
- REMOVE WORK ZONE PAVEMENT MARKINGS AND INSTALL SHORT TERM PAVEMENT MARKINGS.
- REMOVE WORK ZONE PAVEMENT MARKINGS AND INSTALL SHORT TERM PAVEMENT MARKINGS AND INSTALL PAVEMENT MARKINGS AND RAISED REFLECTIVE PAVEMENT MARKERS.
- REMOVE TRAFFIC CONTROL.

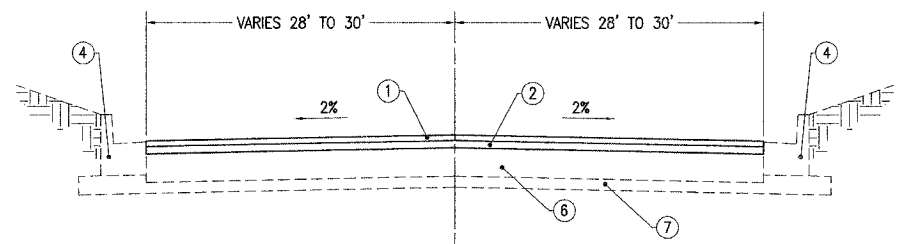
NOTE: THIS IS A SUGGESTED CONSTRUCTION SEQUENCE ONLY. THE CONTRACTOR CAN DEViate AT THEIR OWN EXPENSE INCLUDING MOBILIZATION COSTS.

SUMMARY OF QUANTITIES

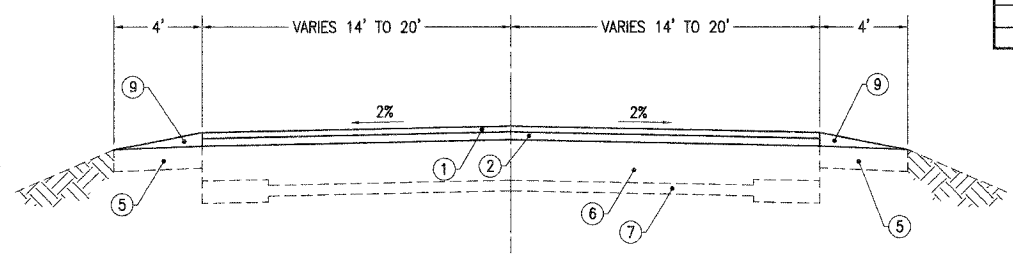
I.D.O.T. PAY ITEM CODE	PAY ITEM	UNIT	QUANTITY	CONSTRUCTION CODE 1000
XX006619	DRAINAGE STRUCTURE BOXOUT	EACH	2	
21101625	TOPSOIL FURNISH AND PLACE, 6"	SQ YD	125	
25200650	SODDING, SALT TOLERANT (SPECIAL)	SQ YD	125	
28000510	INLET FILTERS	EACH	31	
35101600	AGGREGATE BASE COURSE, TYPE B, 4"	SQ YD	50	
40600100	BITUMINOUS MATERIALS (PRIME COAT)	GAL	9,800	
40600300	AGGREGATE (PRIME COAT)	TON	59	
40600980	BITUMINOUS SURFACE REMOVAL - BUTT JOINT	SQ YD	1610	
42001300	PROTECTIVE COAT	SQ YD	82	
42400200	PORTLAND CEMENT CONCRETE SIDEWALK 5"	SQ FT	230	
42400610	TEMPORARY SIDEWALK	SQ FT	175	
42400800	DETECTABLE WARNINGS	SQ FT	60	
44000030	BITUMINOUS SURFACE REMOVAL - (VARIABLE DEPTH)	SQ YD	11,860	
44000500	COMBINATION CURB AND GUTTER REMOVAL	FOOT	161	
44000600	SIDEWALK REMOVAL	SQ FT	290	
44300200	STRIP REFLECTIVE CRACK CONTROL TREATMENT	FOOT	1,090	
48101200	AGGREGATE SHOULDER, TYPE B	TON	570	
60255500	MANHOLES TO BE ADJUSTED	EACH	3	
60604400	COMBINATION CONCRETE CURB AND GUTTER, TYPE B-6.18	FOOT	161	
67100100	MOBILIZATION	L SUM	1	
70101700	TRAFFIC CONTROL AND PROTECTION	L SUM	1	
70300100	SHORT-TERM PAVEMENT MARKING	FOOT	1,772	
70301000	WORK ZONE PAVEMENT MARKING REMOVAL	SQ FT	700	
* 78000100	THERMOPLASTIC PAVEMENT MARKING - LETTERS AND SYMBOLS	SQ FT	350	
* 78000200	THERMOPLASTIC PAVEMENT MARKING - LINE 4"	FOOT	19,600	
* 78000400	THERMOPLASTIC PAVEMENT MARKING - LINE 6"	FOOT	16,715	
* 78000600	THERMOPLASTIC PAVEMENT MARKING - LINE 12"	FOOT	2,300	
* 78000650	THERMOPLASTIC PAVEMENT MARKING - LINE 24"	FOOT	340	
* 78100100	RAISED REFLECTIVE PAVEMENT MARKER	EACH	520	
78300100	PAVEMENT MARKING REMOVAL	SQ FT	396	
78300200	RAISED REFLECTIVE PAVEMENT MARKER REMOVAL	EACH	276	
* 88600100	DETECTOR LOOP REPLACEMENT	FOOT	240	
X0323426	SEDIMENT CONTROL, DRAINAGE STRUCTURE INLET FILTER CLEANING	EACH	62	
X4066426	BITUMINOUS CONCRETE SURFACE COURSE, SUPERPAVE, MIX D, N70	TON	3,280	
X4066616	BITUMINOUS CONCRETE BINDER COURSE, SUPERPAVE, IL-19, N70	TON	4,920	
X4066770	BITUMINOUS LEVELING BINDER (MACHINE METHOD), SUPERPAVE, N70	TON	120	
XX006618	CLASS D PATCHES, 14" (SPECIAL)	SQ YD	400	
XX004763	BITUMINOUS PAVEMENT REMOVAL AND REPLACEMENT	SQ YD	61	
X7015000	CHANGEABLE MESSAGE SIGN	CAL MO	4	

* SPECIALTY ITEMS

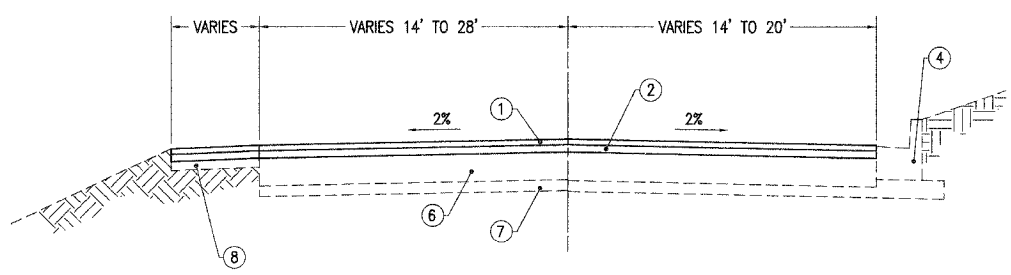
REVISIONS: <table border="1"> <thead> <tr> <th>DATE</th> <th>BY</th> <th>DESCRIPTION</th> <th>DATE</th> <th>BY</th> <th>DESCRIPTION</th> </tr> </thead> <tbody> <tr> <td>04/10/06</td> <td>SMM</td> <td>REVISED PER IDOT COMMENTS</td> <td></td> <td></td> <td></td> </tr> <tr> <td>05/24/06</td> <td>JR</td> <td>REVISED PER IDOT COMMENTS DATED 05/19/2006 (DELIVERED BY EMAIL)</td> <td></td> <td></td> <td></td> </tr> </tbody> </table>				DATE	BY	DESCRIPTION	DATE	BY	DESCRIPTION	04/10/06	SMM	REVISED PER IDOT COMMENTS				05/24/06	JR	REVISED PER IDOT COMMENTS DATED 05/19/2006 (DELIVERED BY EMAIL)				PLOTTED BY: SMM CHECKED BY: SMM DRAWN BY: JR CHECKED BY: JR APPROVED BY: DVM				PAVIA-MARTING & Co. 910 WEST LAKE STREET ROSELLE, IL 60172-3352 (630) 529-8000 FAX (630) 894-4910 <small>Design Firm Professional Registration #154002376</small>		TITLE: STEARNS ROAD RESURFACING IMPROVEMENTS LEGEND, GENERAL NOTES AND SUMMARY OF QUANTITIES SECTION NO: 06-00079-00-RS		SCALE: NONE DATE: 02/27/06 JOB NO: 2809/DS SHEET 2 OF 28
DATE	BY	DESCRIPTION	DATE	BY	DESCRIPTION																									
04/10/06	SMM	REVISED PER IDOT COMMENTS																												
05/24/06	JR	REVISED PER IDOT COMMENTS DATED 05/19/2006 (DELIVERED BY EMAIL)																												



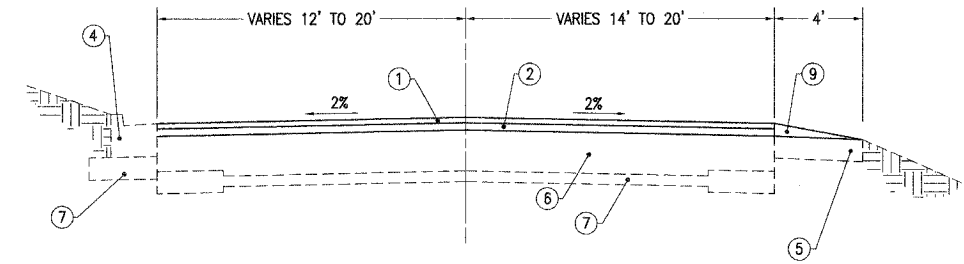
TYPICAL SECTION - STA. 10+30 TO STA. 14+30



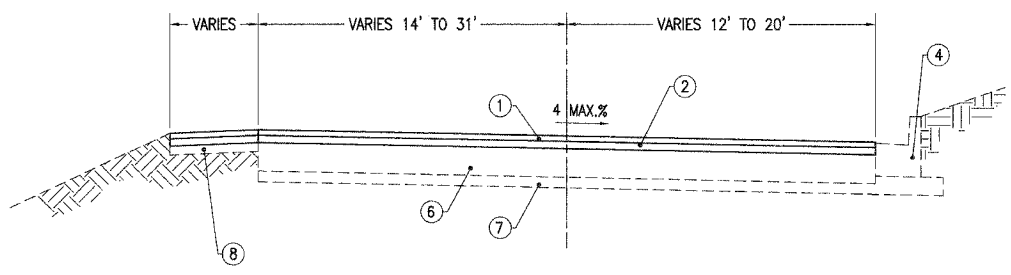
TYPICAL SECTION - STA. 29+33 TO 30+85



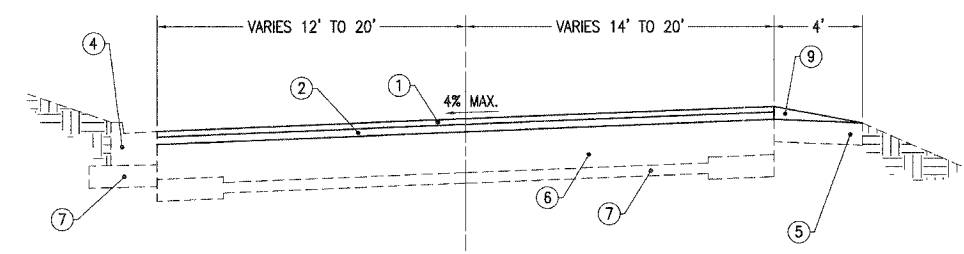
W/O SUPERELEVATION



W/O SUPERELEVATION



W/ SUPERELEVATION - STA. 14+30 TO 26+80



W/SUPERELEVATION - STA. 30+85 TO 42+80

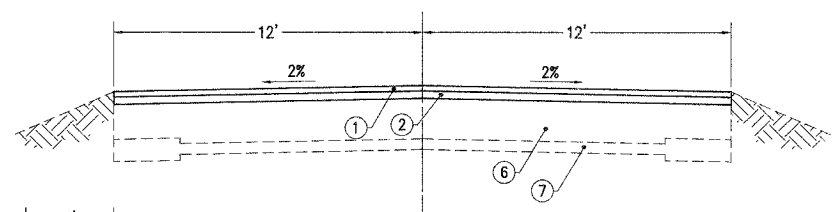
SUPERPAVE MIX TABLE

	AC TYPE	VOIDS	MAX. RAP
BITUMINOUS CONCRETE SURFACE COURSE, SUPERPAVE, MIX "D", N70	PG 64-22	4%@70Gyr	10%
BITUMINOUS CONCRETE BINDER COURSE, SUPERPAVE, IL-19, N70	PG 64-22	4%@70Gyr	15%
BITUMINOUS LEVELING BINDER (MACHINE METHOD) SUPERPAVE, N70	FG-64-22	4%@70Gyr	10%
CLASS D PATCHES, (SPECIAL)	PG 64-22	4%@70Gyr	15%

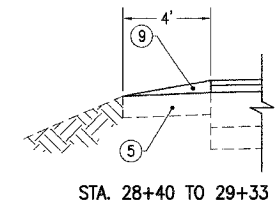
THE UNIT WEIGHT USED TO CALCULATE ALL BITUMINOUS SURFACE MIXTURE IS 112 lbs/sq yd/in.

LEGEND

- ① 1.5" - BITUMINOUS CONCRETE SURFACE COURSE, SUPERPAVE, MIX "D", N70
- ② 2 1/4" - BITUMINOUS CONCRETE BINDER COURSE, SUPERPAVE, IL-19, N70
- ③ NOT USED
- ④ EXISTING CONCRETE CURB AND GUTTER, TYPE B-6.18
- ⑤ EXISTING AGGREGATE SHOULDER
- ⑥ EXISTING BITUMINOUS PAVEMENT
- ⑦ EXISTING AGGREGATE BASE OR SUBBASE GRANULAR MATERIAL
- ⑧ EXISTING BITUMINOUS SHOULDER
- ⑨ AGGREGATE SHOULDER, TYPE B
- ⑩ 3/4" BITUMINOUS LEVELING BINDER (MACHINE METHOD), SUPERPAVE, N70



TYPICAL SECTION - STA. 26+80 TO 29+33



STA. 28+40 TO 29+33

REVISIONS:			DATE			BY			DESCRIPTION		
DATE	BY	DESCRIPTION	DATE	BY	DESCRIPTION	DATE	BY	DESCRIPTION	DATE	BY	DESCRIPTION
04/10/06	SMM	REVISED PER IDOT COMMENTS									

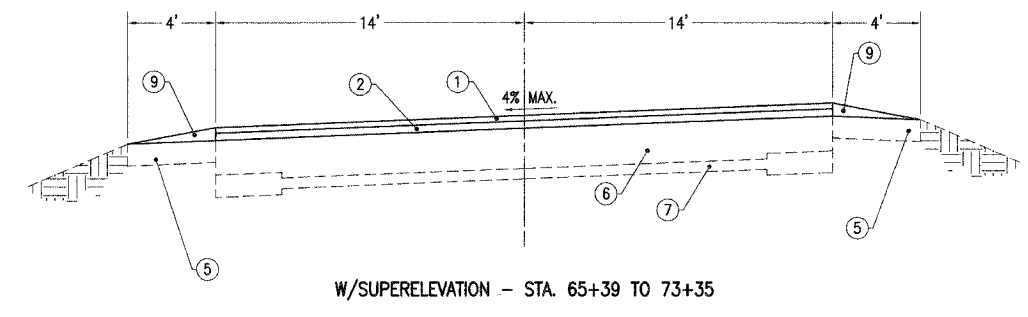
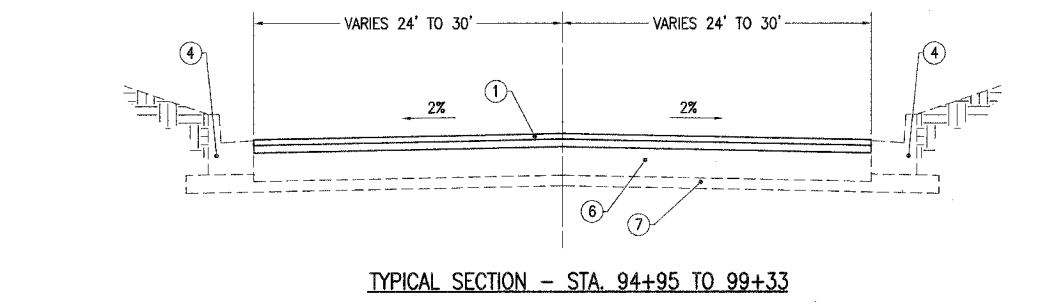
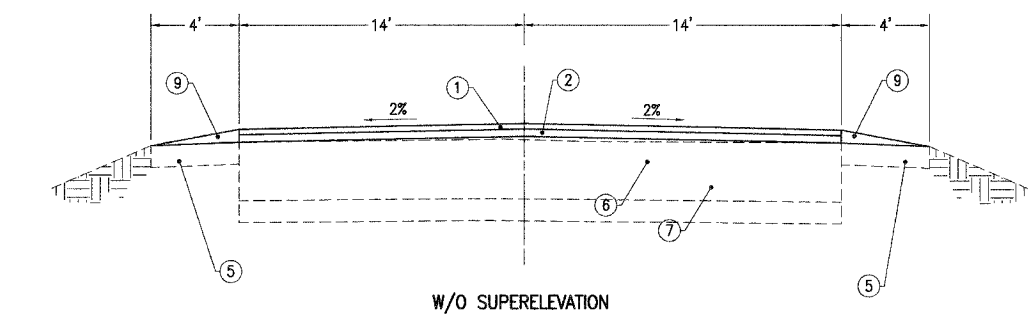
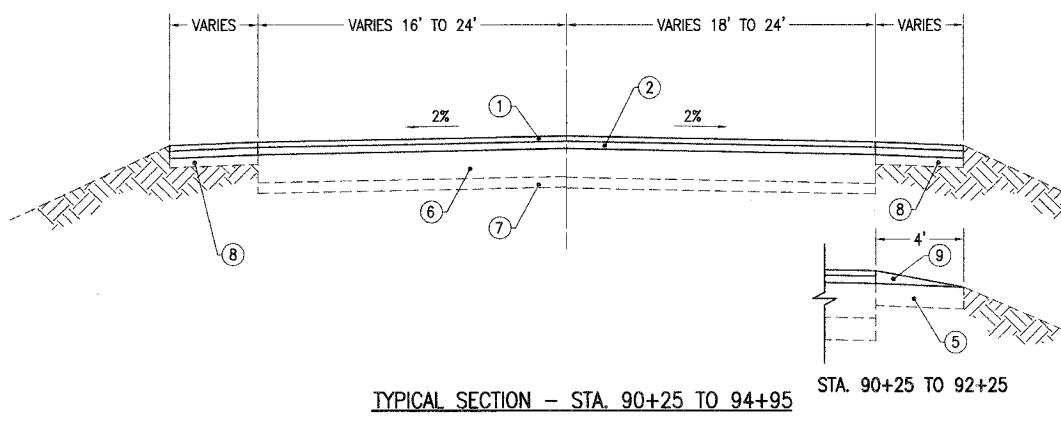
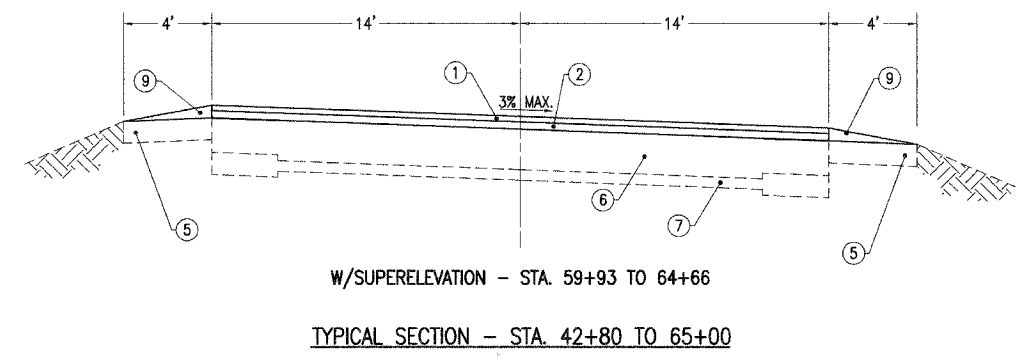
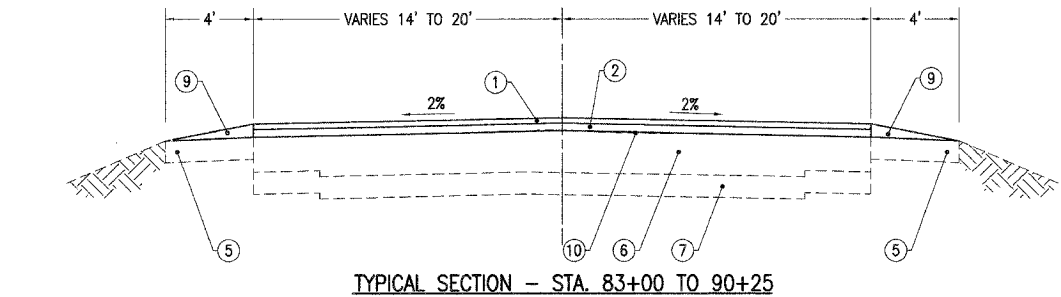
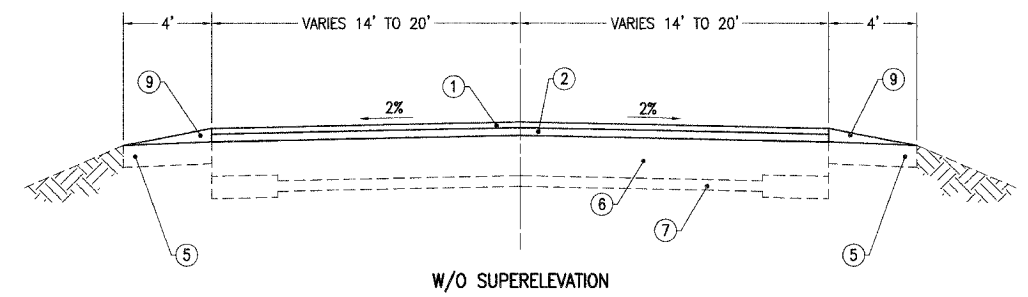
PLOTTED BY:	SMM
CHECKED BY:	JR
DRAWN BY:	SMM
CHECKED BY:	JR
APPROVED BY:	DVM

PAVIA-MARTING & Co.
 910 WEST LAKE STREET
 ROSELLE, IL 60172-3352
 (630) 529-8000 FAX (630) 894-4910
 Design Firm Professional Registration #184902376

TITLE: **STEARNS ROAD RESURFACING IMPROVEMENTS**
TYPICAL SECTIONS
 SECTION NO: 06-00079-00-RS

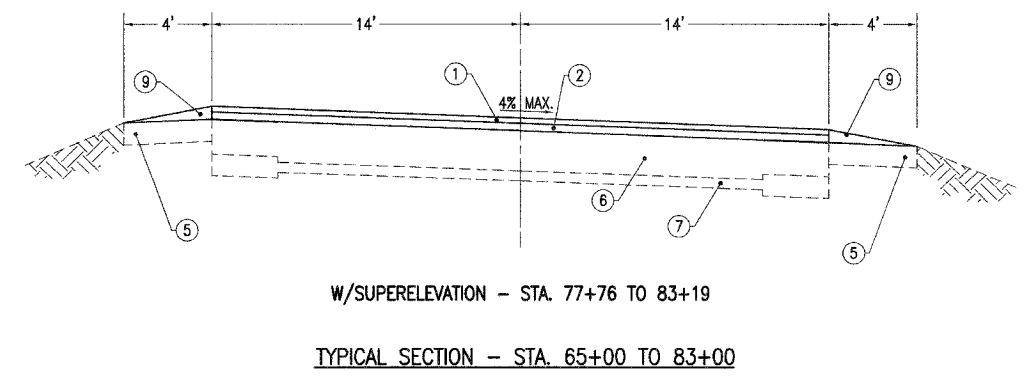
SCALE:	NONE
DATE:	02/27/06
JOB NO:	2809/05
SHEET	3 OF 28

F:\2809\DS\CADD\2809D5 - TYPICAL SECTIONS.DWG 4/13/2006 8:29 AM



LEGEND

- ① 1.5" - BITUMINOUS CONCRETE SURFACE COURSE, SUPERPAVE, MIX "D", N70
- ② 2 1/4" - BITUMINOUS CONCRETE BINDER COURSE, SUPERPAVE, IL-19, N70
- ③ NOT USED
- ④ EXISTING CONCRETE CURB AND GUTTER, TYPE B-6.18
- ⑤ EXISTING AGGREGATE SHOULDER
- ⑥ EXISTING BITUMINOUS PAVEMENT
- ⑦ EXISTING AGGREGATE BASE OR SUBBASE GRANULAR MATERIAL
- ⑧ EXISTING BITUMINOUS SHOULDER
- ⑨ AGGREGATE SHOULDER, TYPE B
- ⑩ 3/4" BITUMINOUS LEVELING BINDER (MACHINE METHOD), SUPERPAVE, N70



F:\2809\05\CADD\8809DS - TYPICAL SECTIONS.DWG 4/13/2006 8:29 AM

REVISIONS:			DATE			BY			DESCRIPTION		
DATE	BY	DESCRIPTION	DATE	BY	DESCRIPTION	DATE	BY	DESCRIPTION	DATE	BY	DESCRIPTION
04/10/06	SMM	REVISED PER IDOT COMMENTS									

PLOTTED BY:	SMM
CHECKED BY:	JR
DRAWN BY:	SMM
CHECKED BY:	JR
APPROVED BY:	DVM

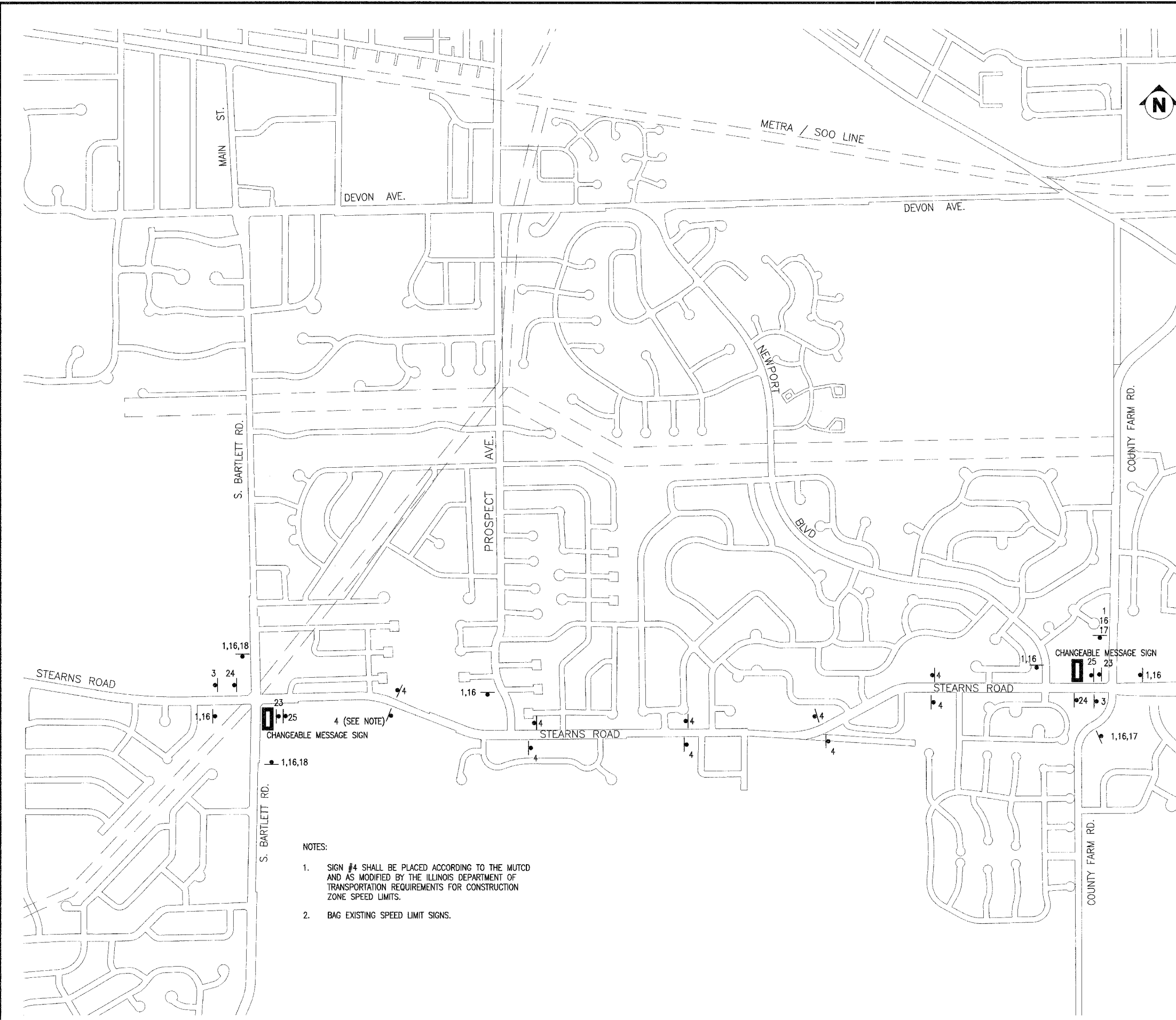
PAVIA-MARTING & Co.
 910 WEST LAKE STREET
 ROSELLE, IL 60172-3352
 (630) 529-8000 FAX (630) 894-4910
 Design Firm Professional Registration #184002376

TITLE: **STEARNS ROAD RESURFACING IMPROVEMENTS**
TYPICAL SECTIONS
 SECTION NO: 06-00079-00-RS

SCALE:	NONE
DATE:	02/27/06
JOB NO:	2809/DS
SHEET:	4 of 28

F.A.P. RTE.	SECTION	COUNTY	TOTAL SHEETS	SHEET NO.
361	06-00079-00-RS	DUPAGE	28	5
FED. ROAD DIST. NO.	ILLINOIS	FED. AID PROJECT		

CONTRACT NO. 83857



- 1 S-1
- 3 S-4
- 4 S-12
- 16 S26
- 17 S27
- 18 S27
- 23 W3-5a
- 24 W3-5a
- 25 W8-1
- 26 W8-11
- 27 W8-1107

NOTES:

- SIGN #4 SHALL BE PLACED ACCORDING TO THE MUTCD AND AS MODIFIED BY THE ILLINOIS DEPARTMENT OF TRANSPORTATION REQUIREMENTS FOR CONSTRUCTION ZONE SPEED LIMITS.
- BAG EXISTING SPEED LIMIT SIGNS.

F:\2809\DS\CADD\2809DS - DETOUR PLAN.DWG 4/13/2006 8:29 AM

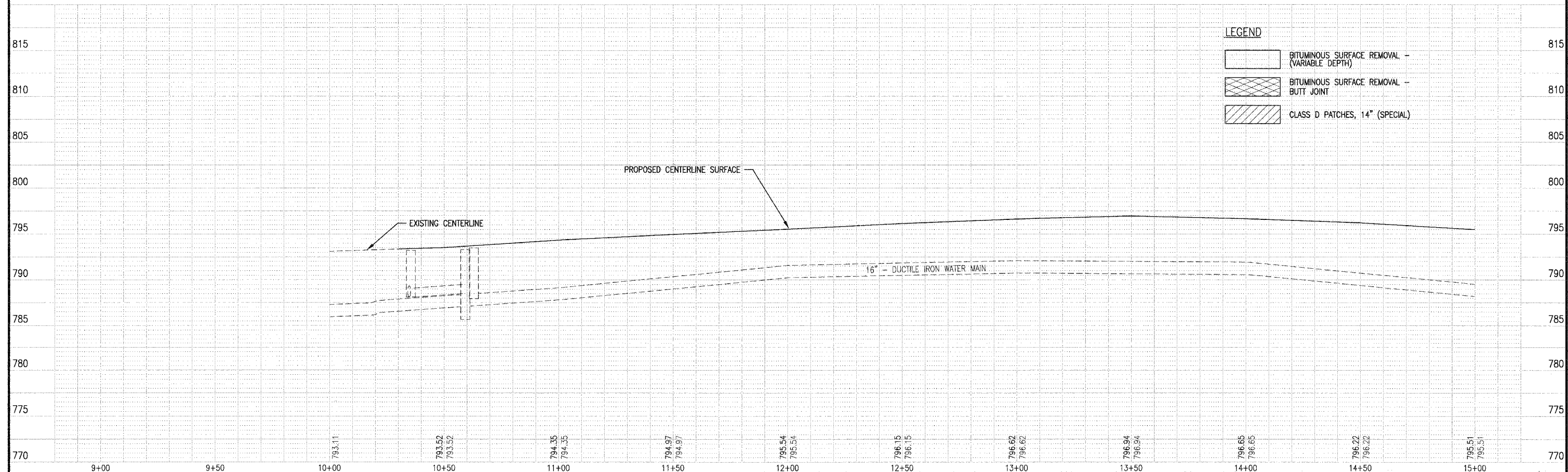
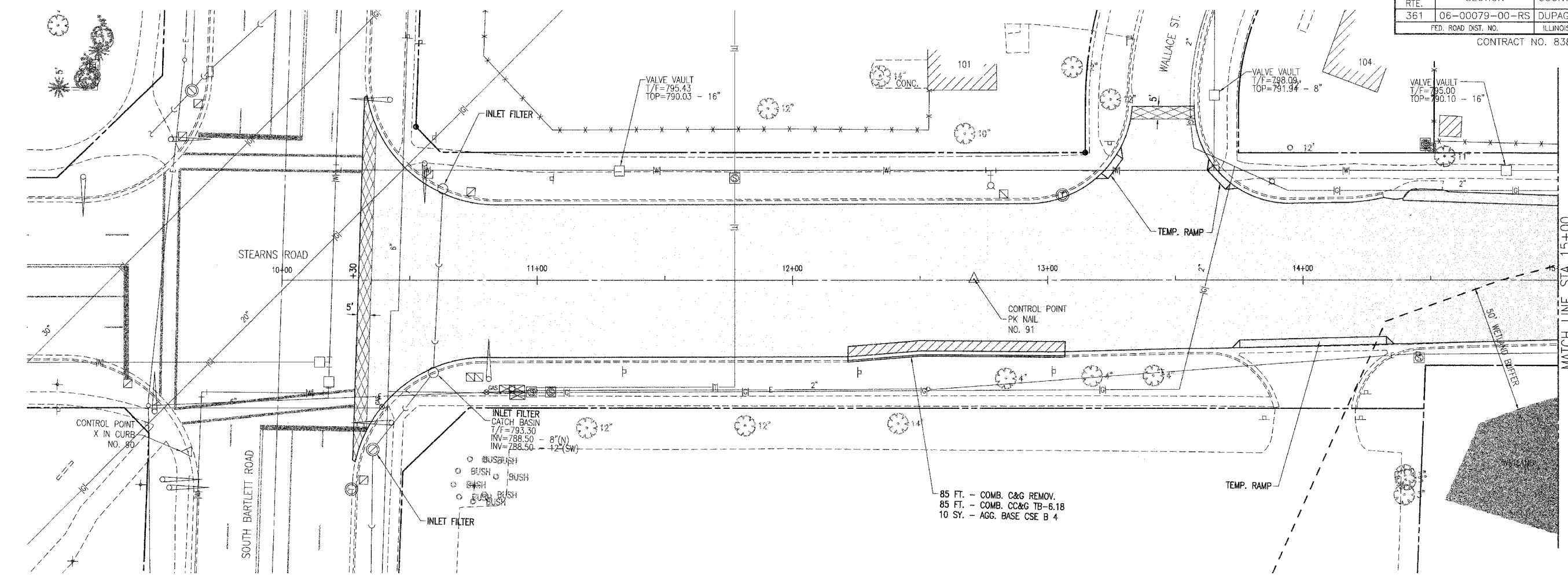
REVISIONS:			DATE			BY			DESCRIPTION		
04/10/06	SMM	REVISED PER IDOT COMMENTS									

PLOTTED BY: _____
 CHECKED BY: JR
 DRAWN BY: JR
 CHECKED BY: JR
 APPROVED BY: DVM

PAVIA-MARTING & Co.
 910 WEST LAKE STREET
 ROSELLE, IL 60172-3352
 (630) 529-8000 FAX (630) 894-4910
Design Firm Professional Registration #184002376

TITLE: **STEARNS ROAD RESURFACING IMPROVEMENTS**
TRAFFIC CONTROL PLAN
 SECTION NO. 06-00079-00-RS

SCALE: NONE
 DATE: 02/27/06
 JOB NO: 2809/DS
 SHEET 5 OF 28



DATE	BY	DESCRIPTION	DATE	BY	DESCRIPTION
04/10/06	SMM	REVISED PER IDOT COMMENTS			

DATE	BY	DESCRIPTION	DATE	BY	DESCRIPTION

PLOTTED BY:	SMM
CHECKED BY:	JR
DRAWN BY:	SMM
CHECKED BY:	JR
APPROVED BY:	DVM

PAVIA-MARTING & Co.
 910 WEST LAKE STREET
 ROSELLE, IL 60172-3352
 (630) 529-8000 FAX (630) 894-4910
 Design Firm Professional Registration #184002376

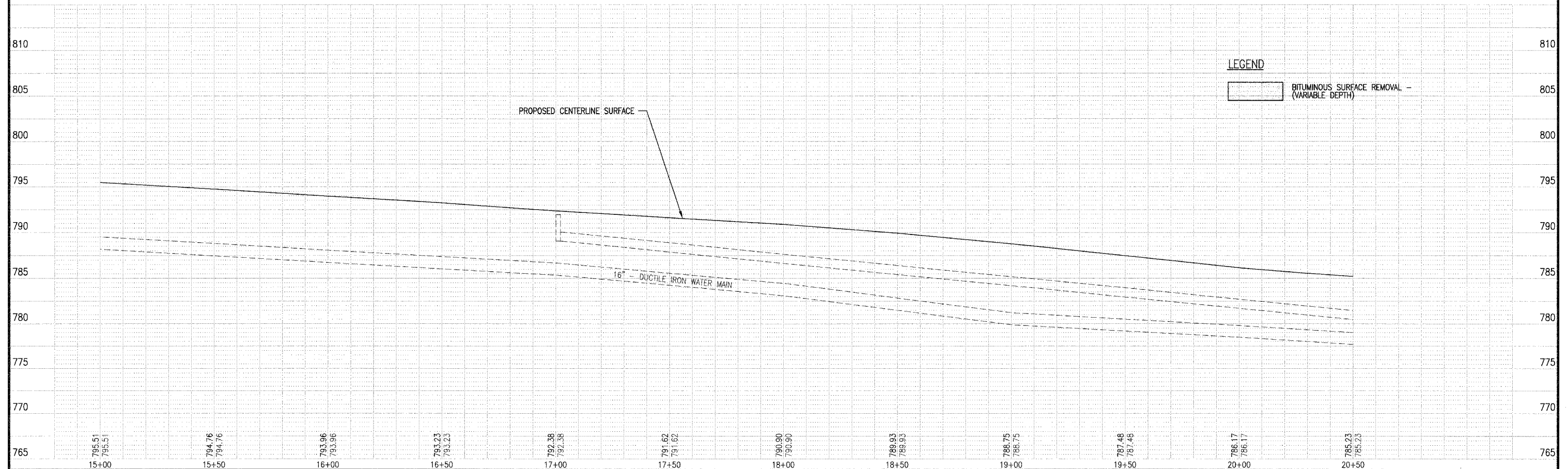
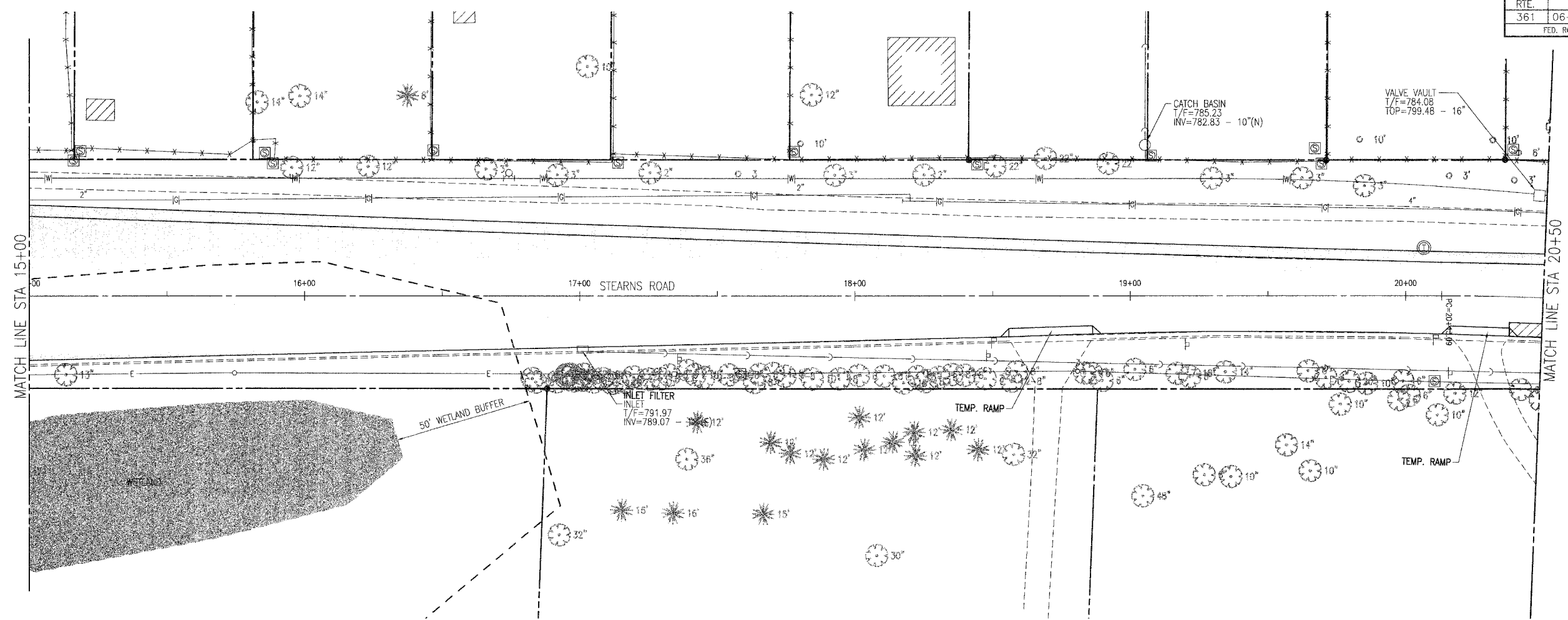
TITLE: **STEARNS ROAD RESURFACING IMPROVEMENTS**
PLAN AND PROFILE STA 9+00 TO STA 15+00
 SECTION NO: 06-00079-00-RS

SCALE: 1"=20'H:1"=5'V
 DATE: 02/27/06
 JOB NO: 2806/05
 SHEET 6 OF 28

F:\2806\DES\CADD\PCD1201.DWG 4/13/2006 8:30 AM

F.A.P. RTE.	SECTION	COUNTY	TOTAL SHEETS	SHEET NO.
361	06-00079-00-RS	DUPAGE	28	7
FED. ROAD DIST. NO.	ILLINOIS	FED. AID PROJECT		

CONTRACT NO. 83857



REVISIONS:			DATE			BY			DESCRIPTION		
04/10/06	SMM	REVISED PER IDOT COMMENTS									

PLOTTED BY:	SMM
CHECKED BY:	JR
DRAWN BY:	SMM
CHECKED BY:	JR
APPROVED BY:	DVM

PAVIA-MARTING & Co.
 910 WEST LAKE STREET
 ROSELLE, IL 60112-3352
 (630) 529-8000 FAX (630) 894-4910
 Design Firm Professional Registration #184002376

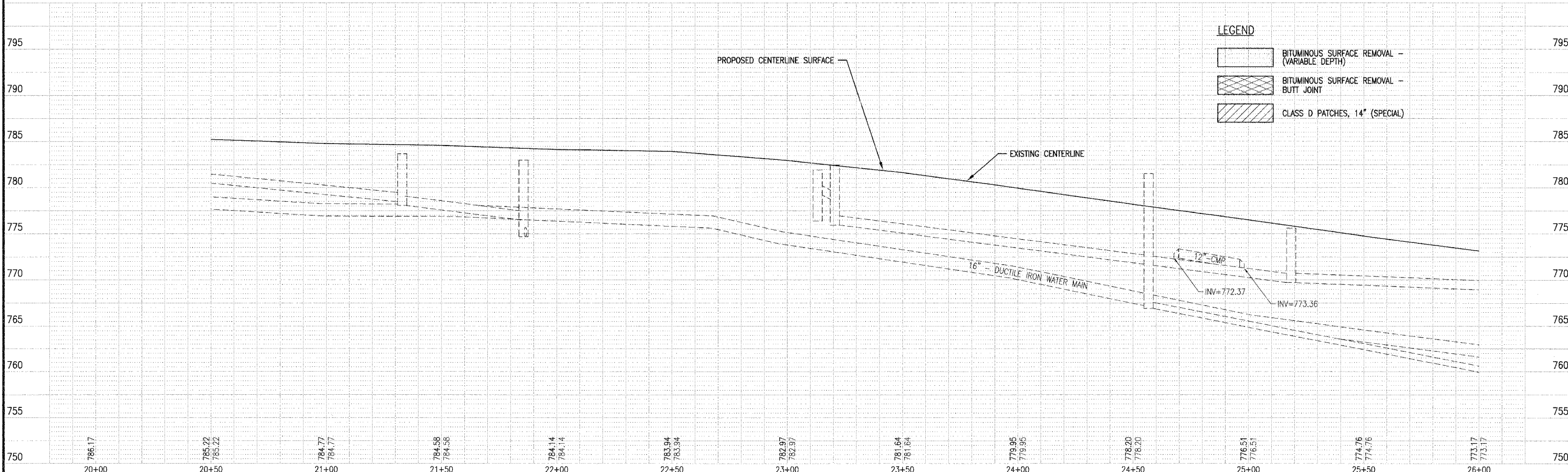
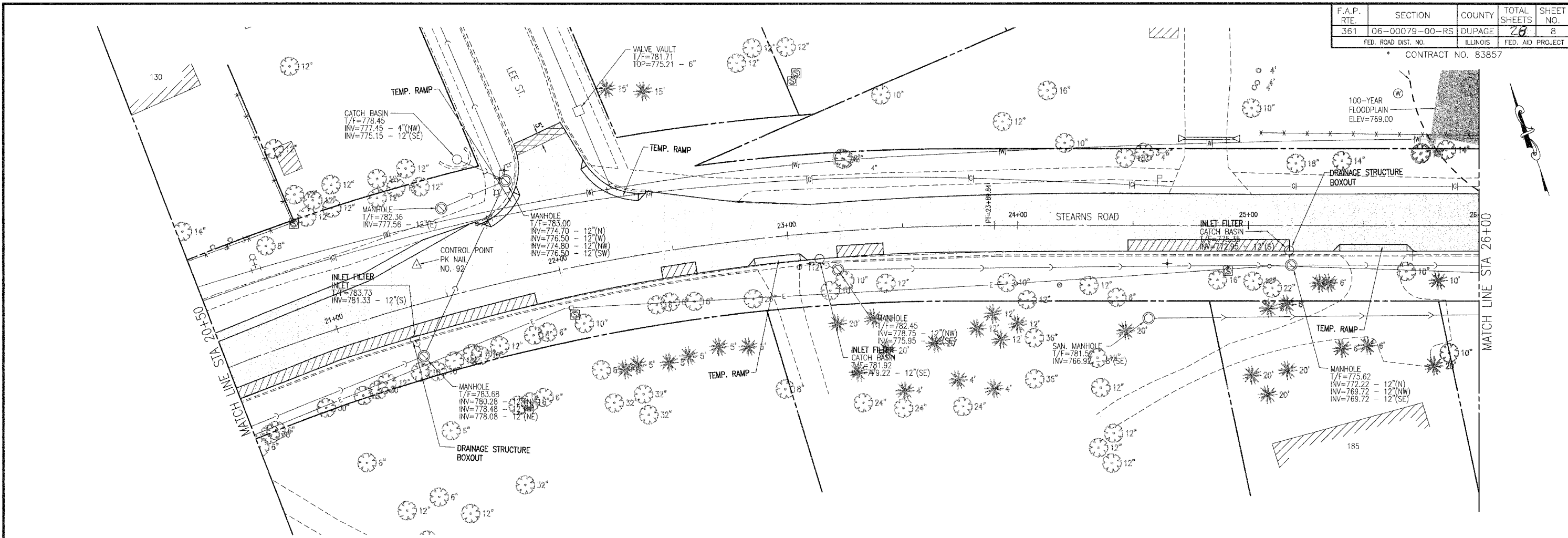
TITLE: **STEARNS ROAD RESURFACING IMPROVEMENTS**
PLAN AND PROFILE STA 15+00 TO STA 20+50
 SECTION NO: 06-00079-00-RS

SCALE:	1"=20'H:1"=5'V
DATE:	02/27/06
JOB NO:	2809/DS
SHEET	7 of 28

F:\2809\DS\CADD\RCR02201.DWG 4/13/2006 8:30 AM

F.A.P. RTE.	SECTION	COUNTY	TOTAL SHEETS	SHEET NO.
361	06-00079-00-RS	DUPAGE	26	8
FED. ROAD DIST. NO.		ILLINOIS	FED. AID PROJECT	

CONTRACT NO. 83857



LEGEND

[Hatched pattern]	BITUMINOUS SURFACE REMOVAL - (VARIABLE DEPTH)
[Cross-hatched pattern]	BITUMINOUS SURFACE REMOVAL - BUTT JOINT
[Diagonal hatched pattern]	CLASS D PATCHES, 14" (SPECIAL)

REVISIONS:			DATE			BY			DESCRIPTION		
04/10/06	SMM	REVISED PER IDOT COMMENTS									

PLOTTED BY: SMM
 CHECKED BY: JR
 DRAWN BY: SMM
 CHECKED BY: JR
 APPROVED BY: DVM

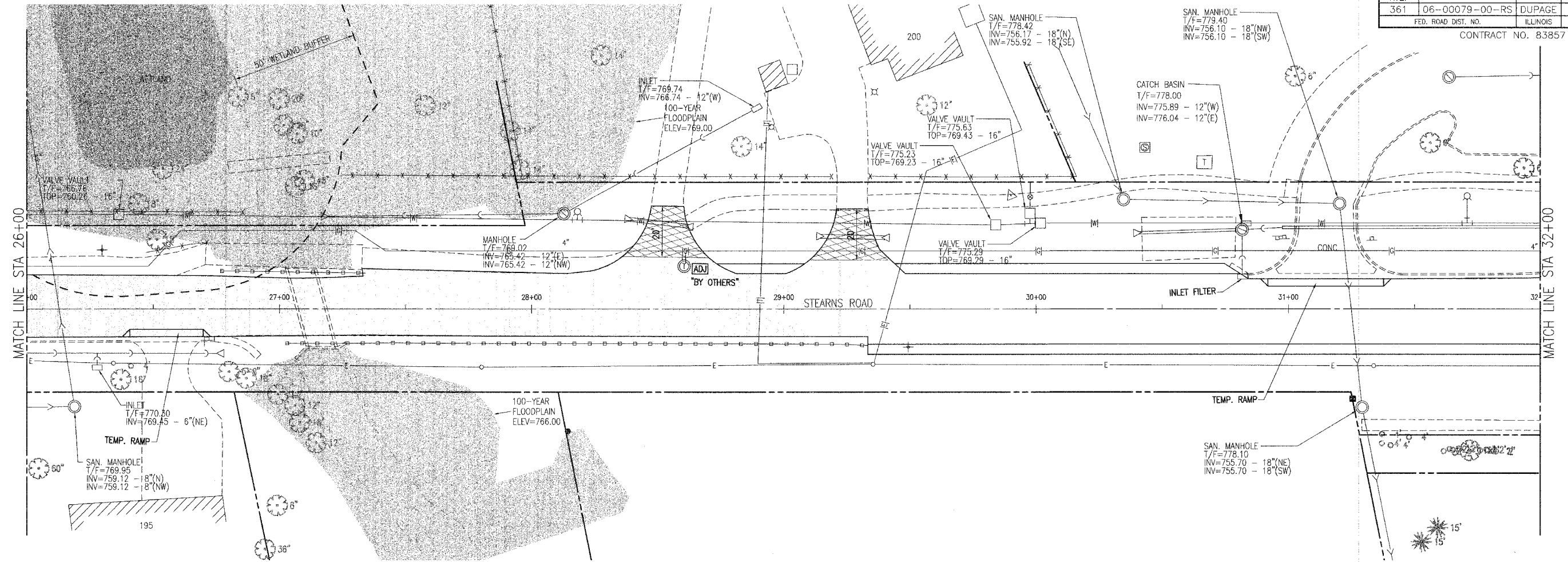
PAVIA-MARTING & Co.
 910 WEST LAKE STREET
 ROSELLE, IL 60172-3352
 (630) 529-8000 FAX (630) 894-4910
Design Firm Professional Registration #184002376

TITLE: STEARNS ROAD RESURFACING IMPROVEMENTS
PLAN AND PROFILE STA 20+50 TO STA 26+00
SECTION NO: 06-00079-00-RS

SCALE: 1"=20'H:1"=5'V
 DATE: 02/27/06
 JOB NO: 2809/DS
 SHEET: 8 of 29

F:\2809\US\CADD\REPORTS\201.DWG 4/13/2006 8:30 AM

F.A.P. RTE.	SECTION	COUNTY	TOTAL SHEETS	SHEET NO.
361	06-00079-00-RS	DUPAGE	28	9
FED. ROAD DIST. NO.			ILLINOIS	FED. AID PROJECT
CONTRACT NO. 83857				

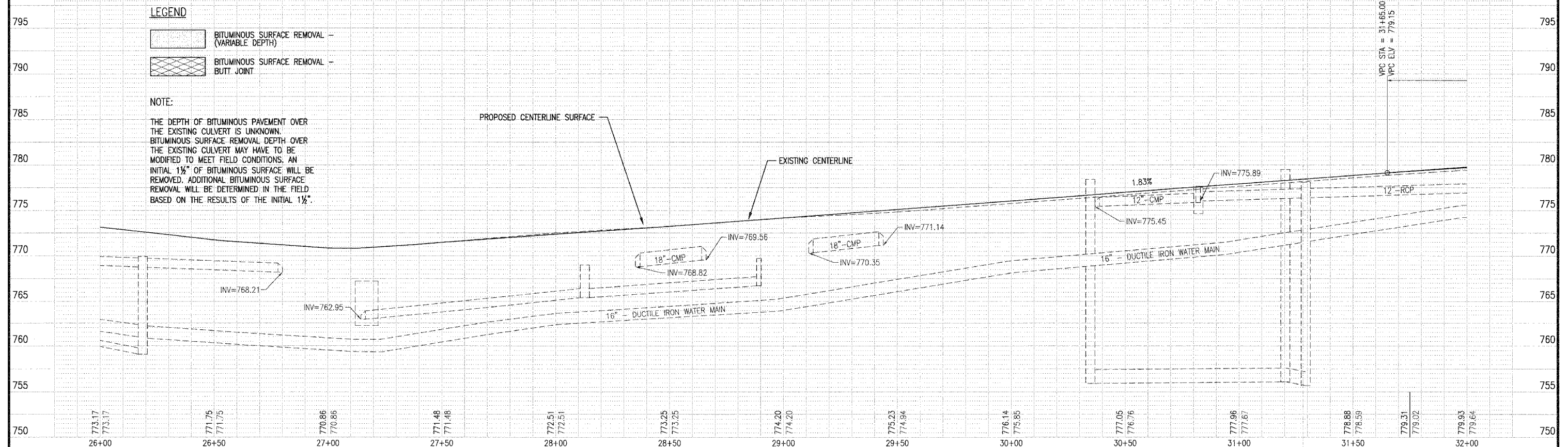


LEGEND

- [Hatched Box] BITUMINOUS SURFACE REMOVAL (VARIABLE DEPTH)
- [Cross-hatched Box] BITUMINOUS SURFACE REMOVAL BUTT JOINT

NOTE:

THE DEPTH OF BITUMINOUS PAVEMENT OVER THE EXISTING CULVERT IS UNKNOWN. BITUMINOUS SURFACE REMOVAL DEPTH OVER THE EXISTING CULVERT MAY HAVE TO BE MODIFIED TO MEET FIELD CONDITIONS. AN INITIAL 1 1/2" OF BITUMINOUS SURFACE WILL BE REMOVED. ADDITIONAL BITUMINOUS SURFACE REMOVAL WILL BE DETERMINED IN THE FIELD BASED ON THE RESULTS OF THE INITIAL 1 1/2".



DATE	BY	DESCRIPTION	DATE	BY	DESCRIPTION	DATE	BY	DESCRIPTION
04/10/06	SMM	REVISED PER IDOT COMMENTS						

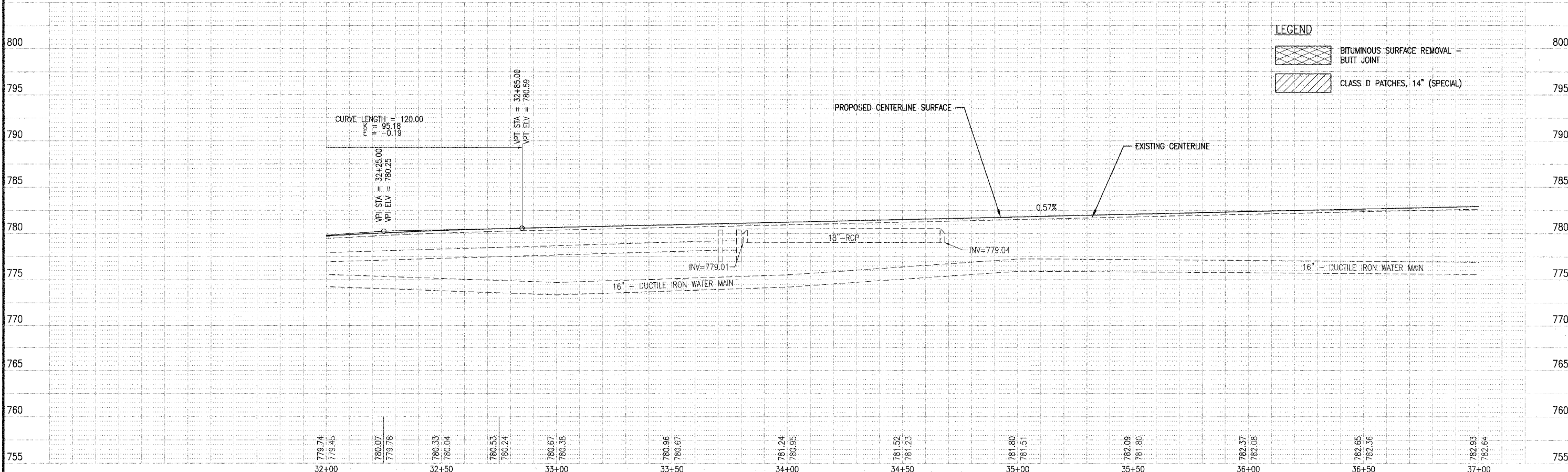
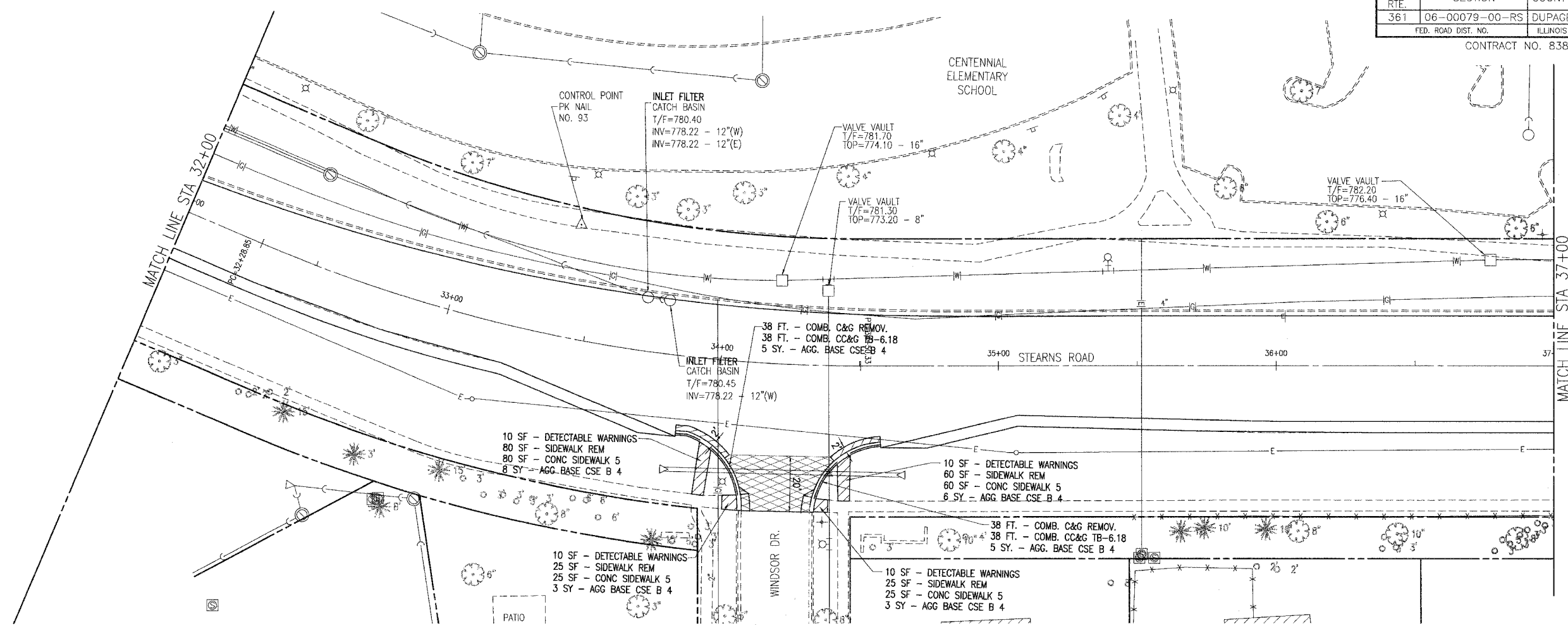
PLOTTED BY: SMM	CHECKED BY: JR	DRAWN BY: SMM	CHECKED BY: JR	APPROVED BY: DVM
-----------------	----------------	---------------	----------------	------------------

PAVIA-MARTING & Co. 910 WEST LAKE STREET ROSELLE, IL 60172-3352 (630) 520-8000 FAX (630) 894-4910 Design Firm Professional Registration #18402376	TITLE: STEARNS ROAD RESURFACING IMPROVEMENTS PLAN AND PROFILE STA 26+00 TO STA 32+00 SECTION NO: 06-00079-00-RS	SCALE: 1"=20'H:1"=5'V DATE: 02/27/06 JOB NO: 2809/DS SHEET 9 OF 28
--------------------------------------------------------------------------------------------------------------------------------------------------------------------------	---------------------------------------------------------------------------------------------------------------------------------	----------------------------------------------------------------------------------------------------------------

F:\2809\DES\GDD\RCPO4201.DWG 4/13/2006 8:31 AM

F.A.P. RTE.	SECTION	COUNTY	TOTAL SHEETS	SHEET NO.
361	06-00079-00-RS	DUPAGE	28	10
FED. ROAD DIST. NO.	ILLINOIS	FED. AID PROJECT		

CONTRACT NO. 83857



LEGEND

	BITUMINOUS SURFACE REMOVAL - BUTT JOINT
	CLASS D PATCHES, 14" (SPECIAL)

DATE	BY	DESCRIPTION	DATE	BY	DESCRIPTION
04/10/06	SMM	REVISED PER IDOT COMMENTS			

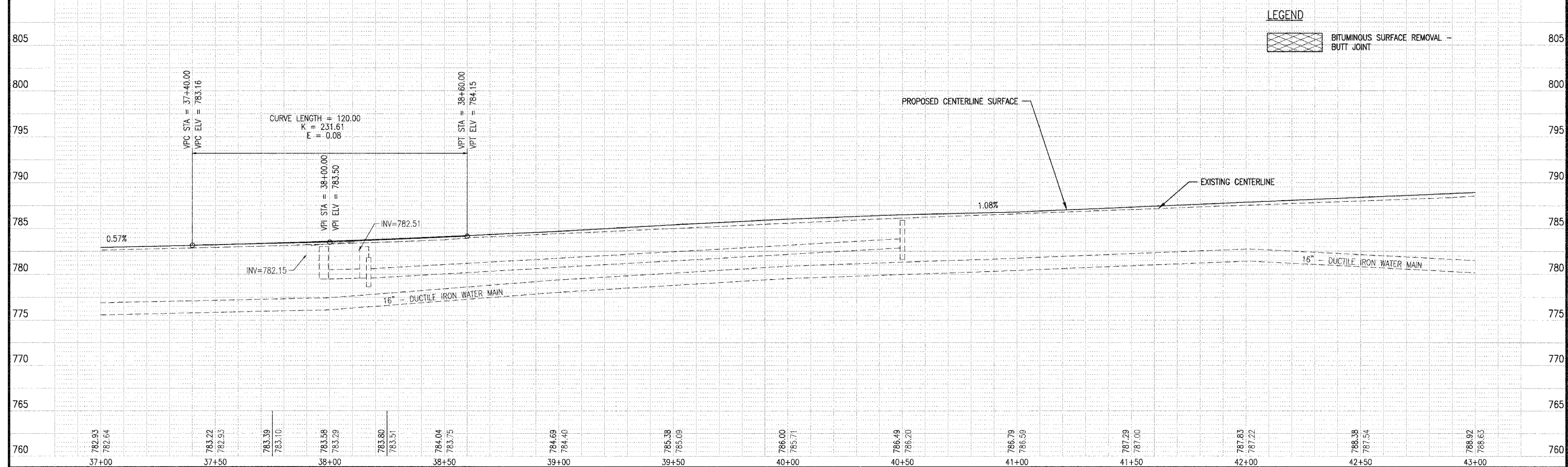
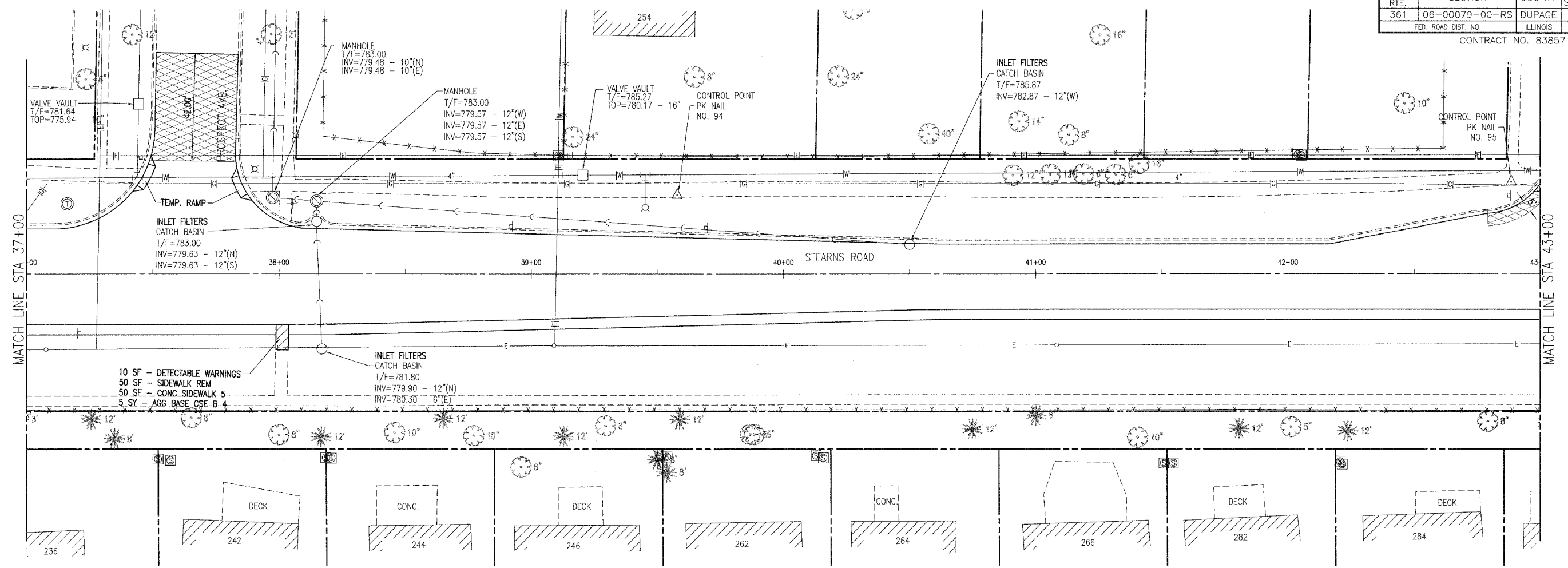
PLOTTED BY:	SMM
CHECKED BY:	JR
DRAWN BY:	SMM
CHECKED BY:	JR
APPROVED BY:	DAM

PAVIA-MARTING & Co.
 910 WEST LAKE STREET
 ROSELLE, IL 60172-3352
 (630) 529-8000 FAX (630) 894-4910
 Design Firm Professional Registration #184002376

TITLE:
 STEARNS ROAD RESURFACING IMPROVEMENTS
 PLAN AND PROFILE STA 32+00 TO STA 37+00
 SECTION NO: 06-00079-00-RS

SCALE: 1"=20'H; 1"=5'V
 DATE: 02/27/06
 JOB NO: 2809/DS
 SHEET 10 of 28

F:\2809\US\CADD\RCPS0201.DWG 4/13/2006 8:31 AM



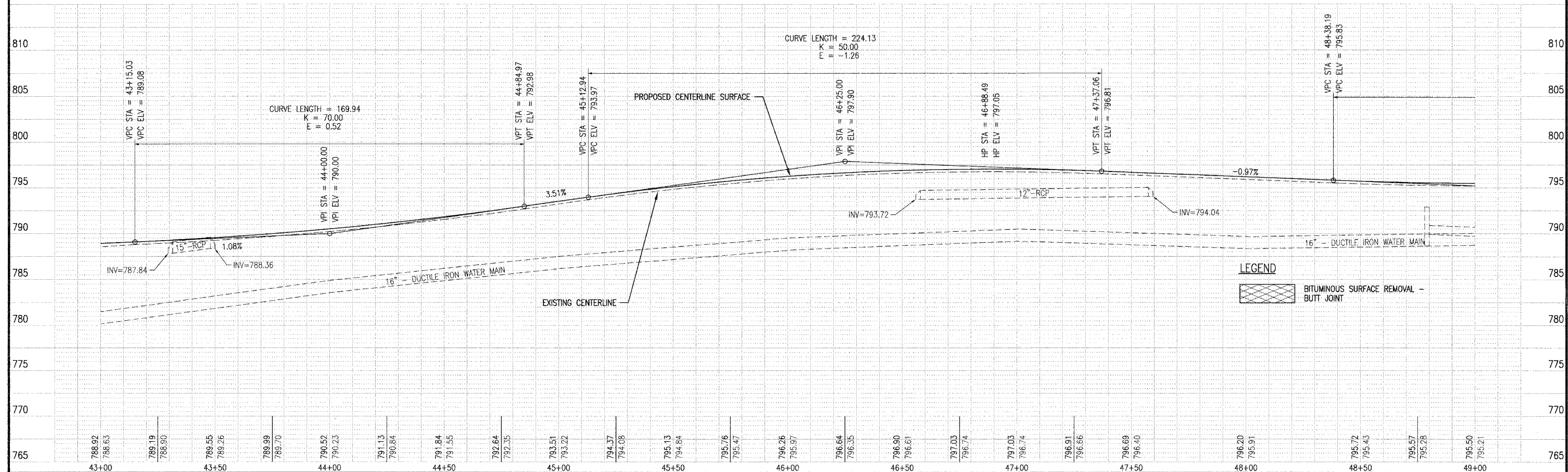
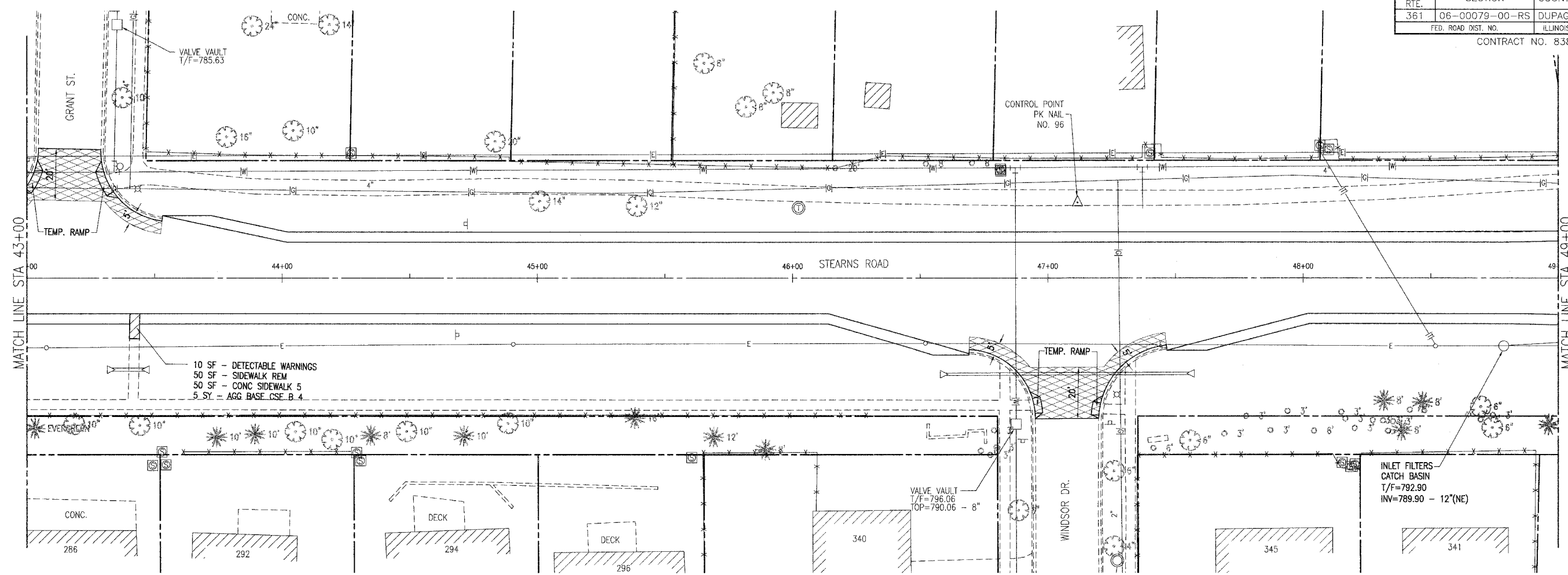
REVISIONS:			DATE			BY			DESCRIPTION		
04/10/06	SMM	REVISED PER IDOT COMMENTS									

PLOTTED BY:	SMM
CHECKED BY:	JR
DRAWN BY:	SMM
CHECKED BY:	JR
APPROVED BY:	DVM

PAVIA-MARTING & Co.
910 WEST LAKE STREET
ROSELLE, IL 60172-3352
(630) 529-9000 FAX (630) 894-4910
Design Firm Professional Registration #184002376

TITLE: **STEARNS ROAD RESURFACING IMPROVEMENTS**
PLAN AND PROFILE STA 37+00 TO 43+00
SECTION NO: 06-00079-00-RS

F:\2809\DS\CADD\RCF06201.DWG 4/13/2006 8:31 AM



DATE	BY	DESCRIPTION	DATE	BY	DESCRIPTION
04/10/06	SMM	REVISED PER IDOT COMMENTS			

DATE	BY	DESCRIPTION	DATE	BY	DESCRIPTION

PLOTTED BY:	SMM
CHECKED BY:	JR
DRAWN BY:	SMM
CHECKED BY:	JR
APPROVED BY:	DVM

PAVIA-MARTING & Co.
 910 WEST LAKE STREET
 ROSELLE, IL 60172-3352
 (630) 529-8000 FAX (630) 894-4910
 Design Firm Professional Registration #184002376

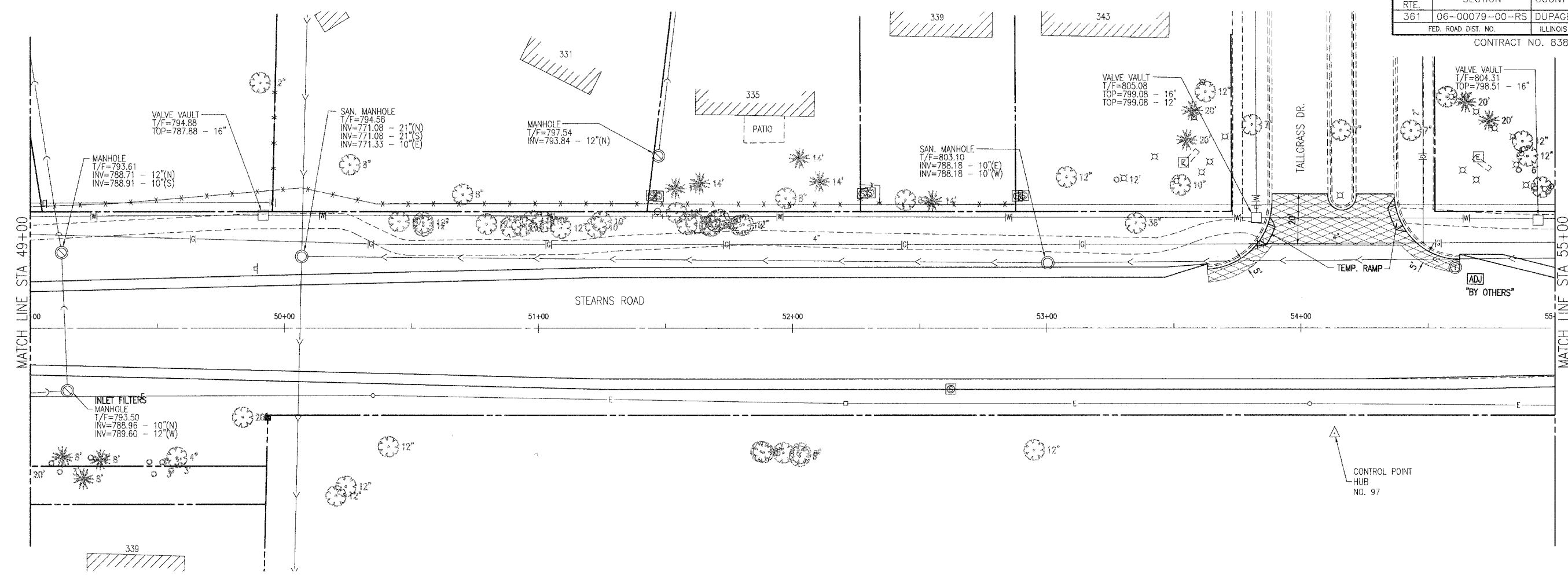
TITLE: **STEARNS ROAD RESURFACING IMPROVEMENTS**
PLAN AND PROFILE STA 43+00 TO STA 49+00
 SECTION NO: 06-00079-00-RS

SCALE: 1"=20'H:1"=5'V
 DATE: 02/27/06
 JOB NO: 2809/05
 SHEET 12 OF 28

F:\2809\DES\CADD\PCRD07201.DWG 4/13/2006 8:31 AM

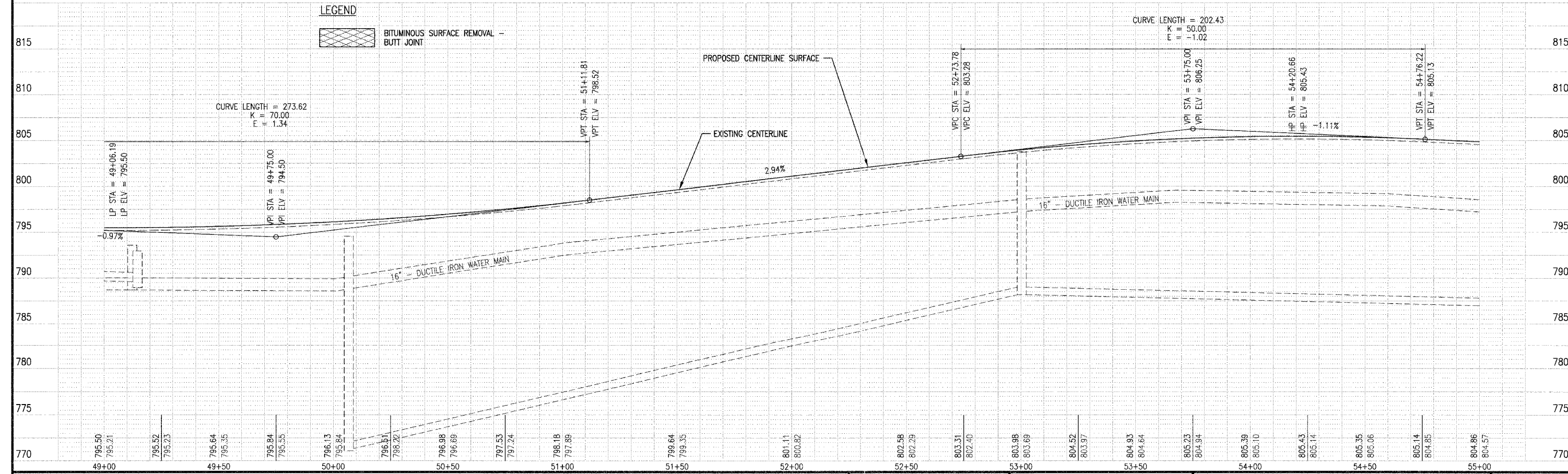
F.A.U. RTE.	SECTION	COUNTY	TOTAL SHEETS	SHEET NO.
361	06-00079-00-RS	DUPAGE	28	13
FED. ROAD DIST. NO.		ILLINOIS	FED. AID PROJECT	

CONTRACT NO. 83857



LEGEND

	BITUMINOUS SURFACE REMOVAL - BUTT JOINT
--	-----------------------------------------



REVISIONS:			DATE			BY			DESCRIPTION		
04/10/06	SMM	REVISED PER IDOT COMMENTS									

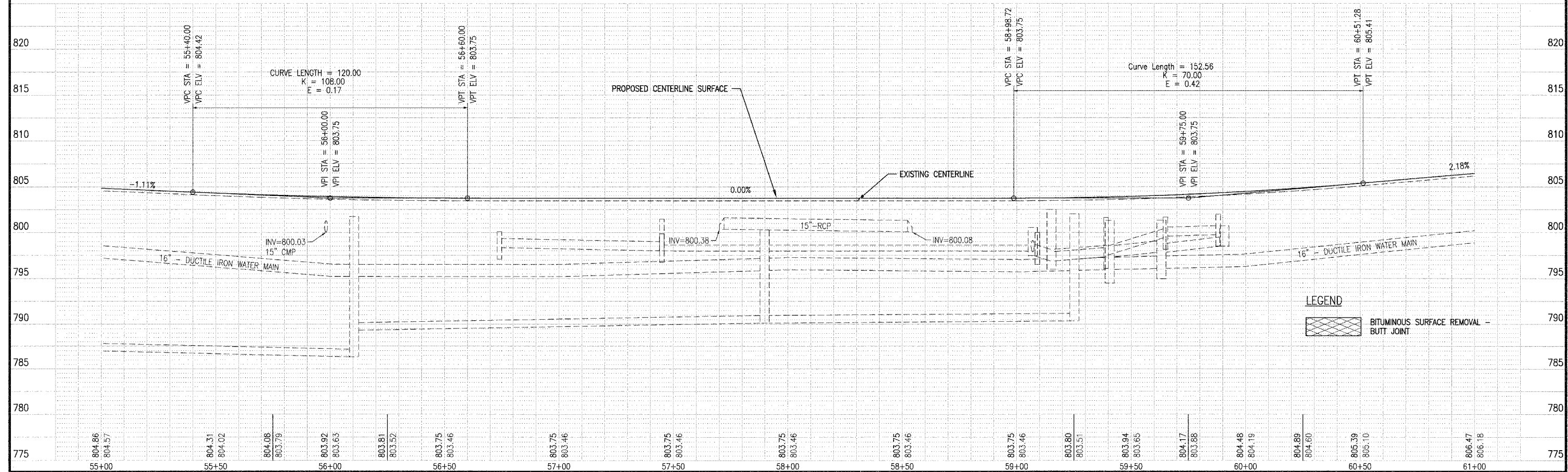
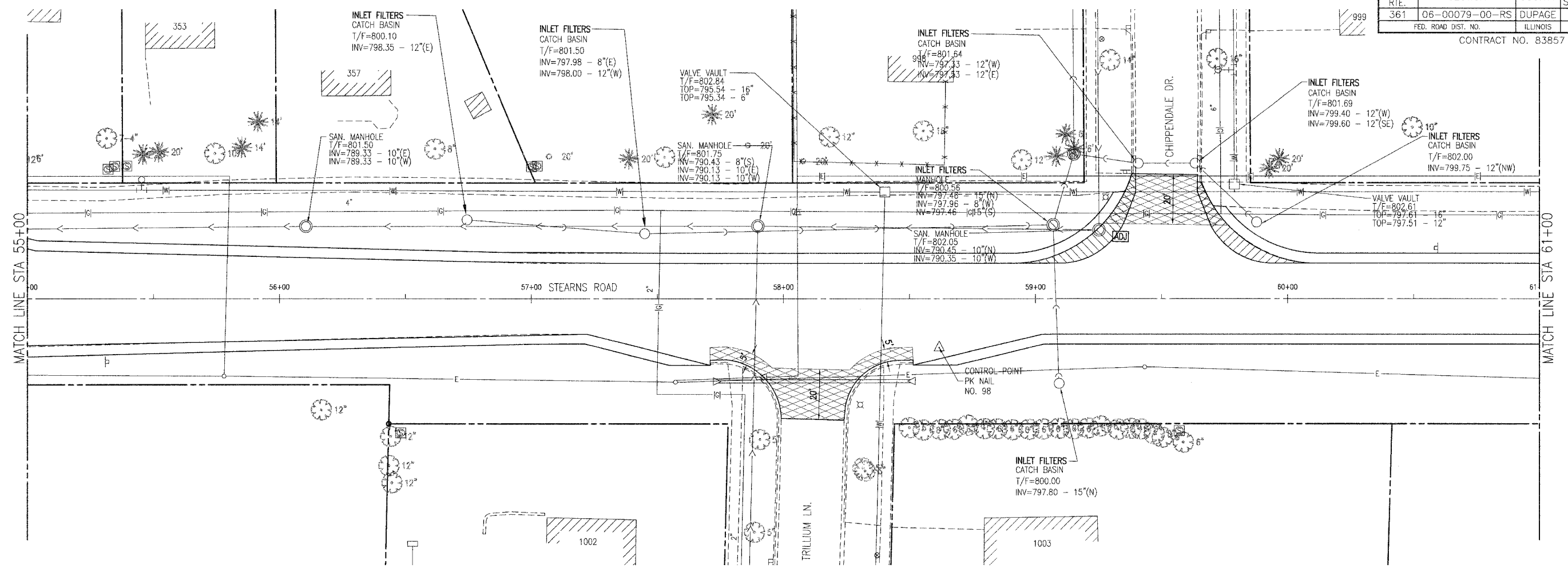
PLOTTED BY: SMM
 CHECKED BY: JR
 DRAWN BY: SMM
 CHECKED BY: JR
 APPROVED BY: DVM

PAVIA-MARTING & Co.
 910 WEST LAKE STREET
 ROSELLE, IL 60172-3352
 (630) 529-8000 FAX (630) 894-4910
Design Firm Professional Registration #184892376

TITLE:
 STEARNS ROAD RESURFACING IMPROVEMENTS
 PLAN AND PROFILE STA 49+00 TO STA 55+00
 SECTION NO: 06-00079-00-RS

SCALE: 1"=20'H:1"=5'V
 DATE: 02/27/06
 JOB NO: 2809/DS
 SHEET: 13 of 28

F:\2809\DS\CADD\REPORT01.DWG 4/13/2006 8:52 AM



REVISIONS:			DATE			BY			DESCRIPTION		
04/10/06	SMM	REVISED PER IDOT COMMENTS									

PLOTTED BY: SMM
 CHECKED BY: JR
 DRAWN BY: SMM
 CHECKED BY: JR
 APPROVED BY: DVM

PAVIA-MARTING & Co.
 910 WEST LAKE STREET
 ROSELLE, IL 60172-3352
 (630) 529-8000 FAX (630) 894-4910
Design Firm Professional Registration #184002376

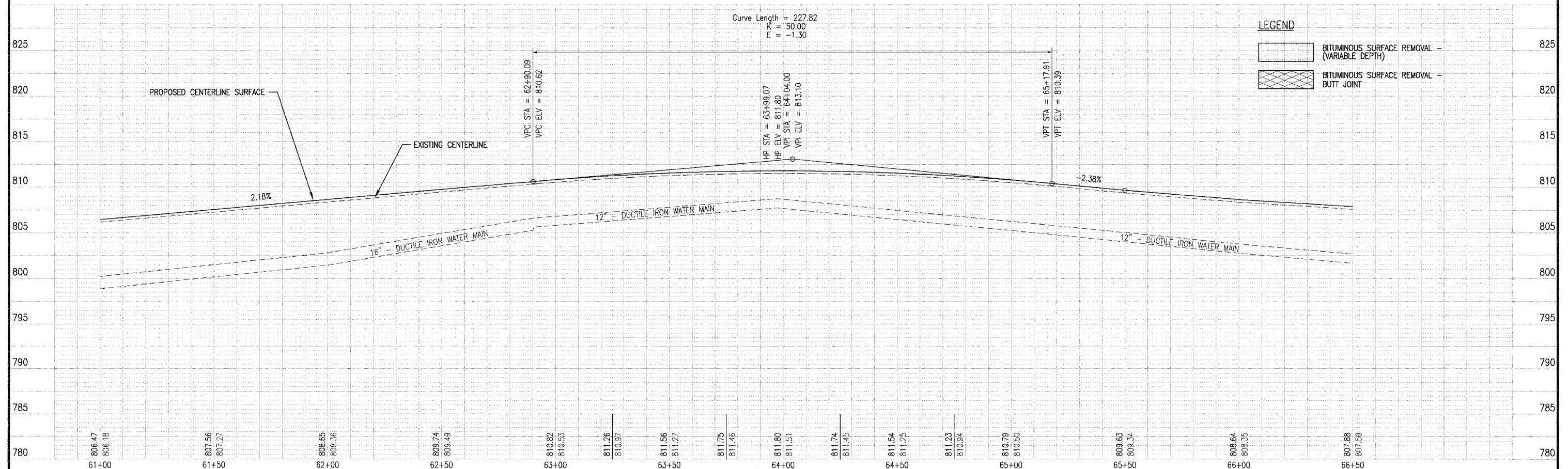
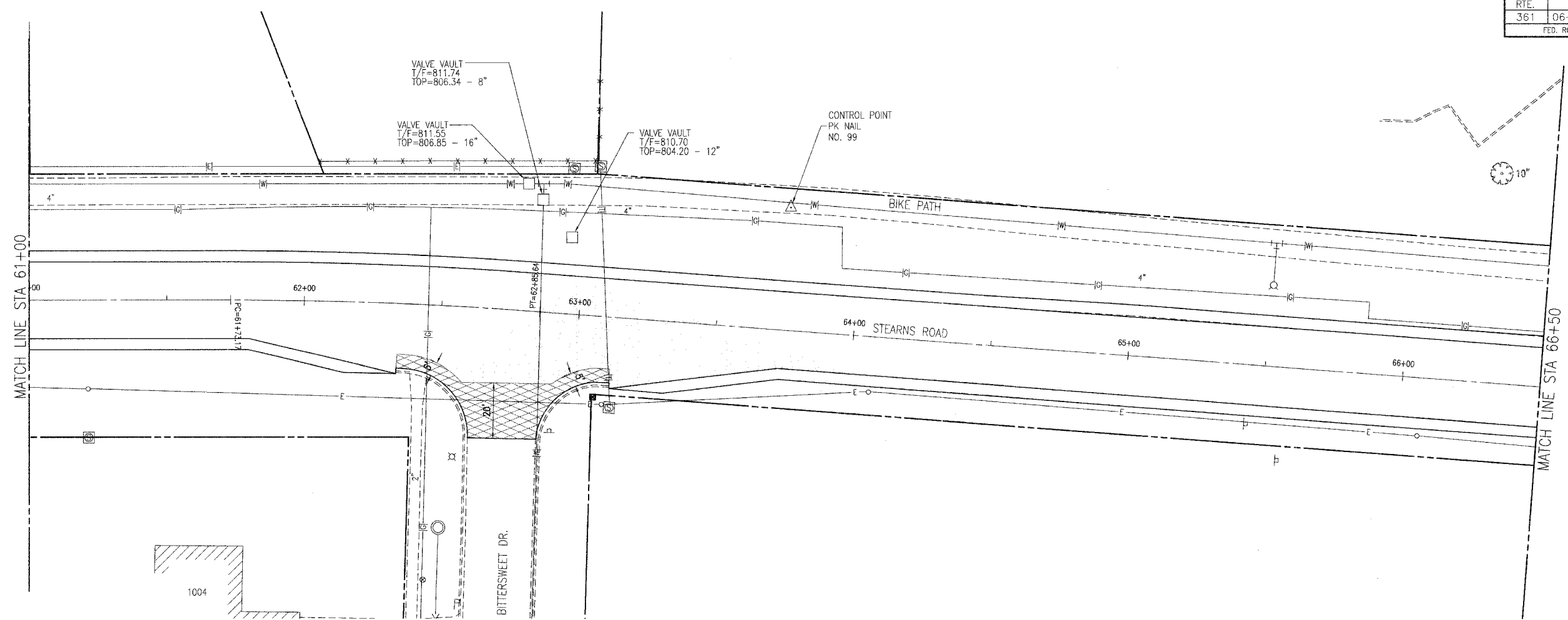
TITLE: STEARNS ROAD RESURFACING IMPROVEMENTS
 PLAN AND PROFILE STA 55+00 TO STA 61+00
 SECTION NO: 06-00079-00-RS

SCALE: 1"=20'H1"=5'V
 DATE: 02/27/06
 JOB NO: 2809/DS
 SHEET 14 OF 28

F:\2809\DS\CADD\RCR08201.DWG 4/13/2006 8:32 AM

F.A.P. RTE.	SECTION	COUNTY	TOTAL SHEETS	SHEET NO.
361	06-00079-00-RS	DUPAGE	28	15
FED. ROAD DIST. NO.		ILLINOIS	FED. AID PROJECT	

CONTRACT NO. 83857



REVISIONS			DATE			BY			DESCRIPTION		
04/10/06	SMM	REVISED PER IDOT COMMENTS									

PLOTTED BY:	SMM
CHECKED BY:	JR
DRAWN BY:	SMM
CHECKED BY:	JR
APPROVED BY:	DVM

PAVIA-MARTING & Co.
 910 WEST LAKE STREET
 ROSELLE, IL 60172-3352
 (630) 579-8000 FAX (630) 894-4910
 Design Firm Professional Registration #184492376

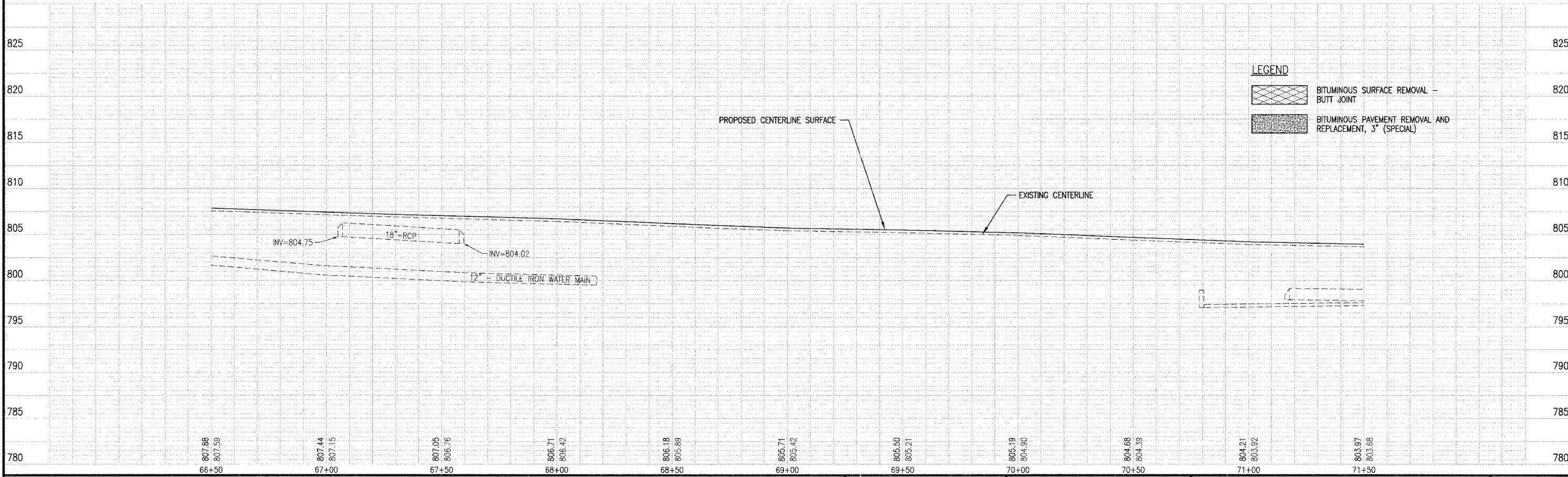
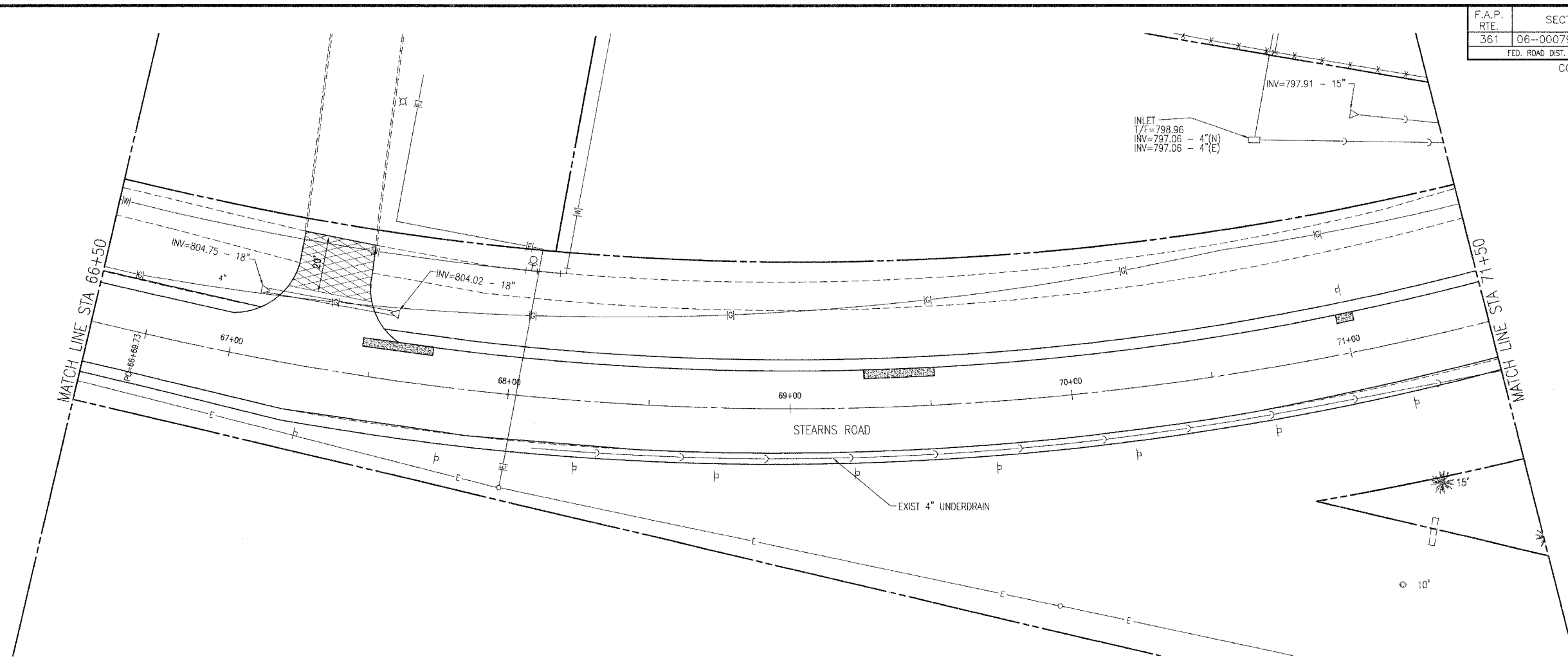
TITLE: **STEARNS ROAD RESURFACING IMPROVEMENTS**
PLAN AND PROFILE STA 61+00 TO STA 66+50
 SECTION NO: 06-00079-00-RS

SCALE: 1"=20'H; 1"=5'V
 DATE: 02/27/06
 JOB NO: 2809/DS
 SHEET 15 OF 28

F:\2809\DES\CADD\PCP10201.DWG 4/13/2006 8:32 AM

F.A.P. RTE.	SECTION	COUNTY	TOTAL SHEETS	SHEET NO.
361	06-00079-00-RS	DUPAGE	28	16
FED. ROAD DIST. NO.		ILLINOIS	FED. AID PROJECT	

CONTRACT NO. 83857



REVISIONS:			DATE			BY			DESCRIPTION		
04/10/06	SMM	REVISED PER IDOT COMMENTS									

PLOTTED BY: SMM
 CHECKED BY: JR
 DRAWN BY: SMM
 CHECKED BY: JR
 APPROVED BY: DVM

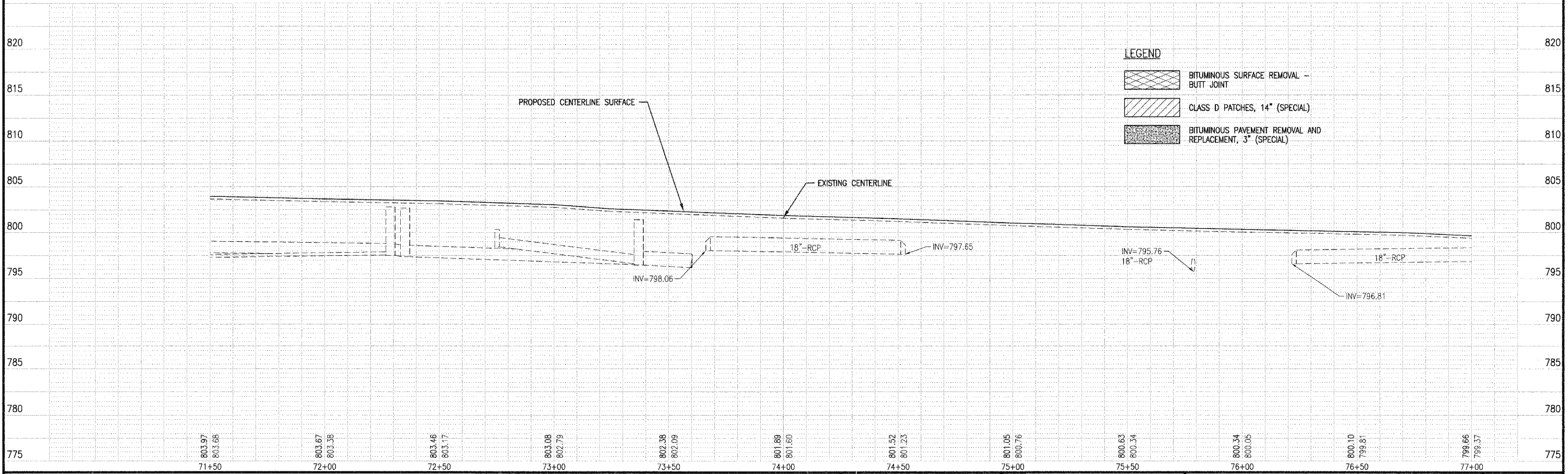
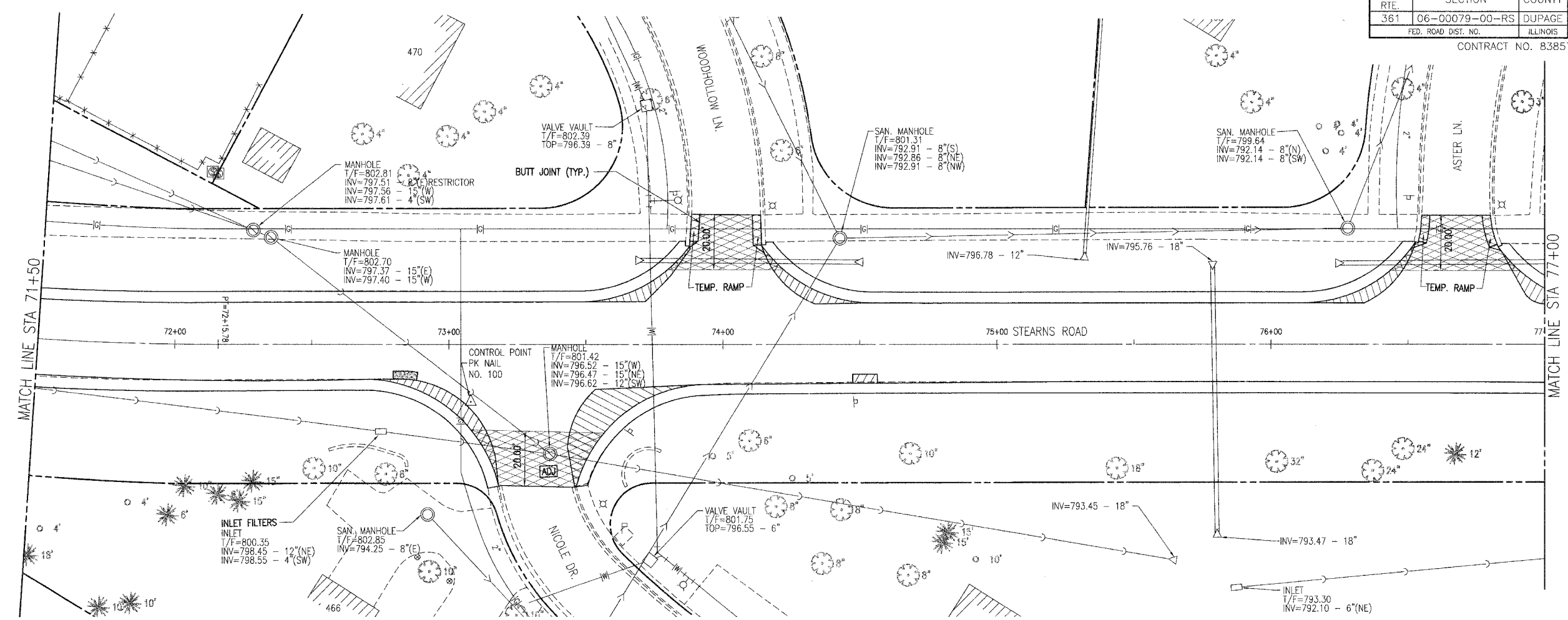
PAVIA-MARTING & Co.
 910 WEST LAKE STREET
 ROSELLE, IL 60172-3352
 (630) 529-8000 FAX (630) 894-4910
Design Firm Professional Registration #184692376

TITLE:
 STEARNS ROAD RESURFACING IMPROVEMENTS
 PLAN AND PROFILE STA 66+50 TO STA 71+50
 SECTION NO: 06-00079-00-RS
 SCALE: 1"=20'H:1"=5'V
 DATE: 02/27/06
 JOB NO: 2809/05
 SHEET 16 OF 28

F:\2809\05\CADD\RCP11201.DWG 4/13/2006 8:33 AM

F.A.P. R.T.E.	SECTION	COUNTY	TOTAL SHEETS	SHEET NO.
361	06-00079-00-RS	DUPAGE	28	17
FED. ROAD DIST. NO.		ILLINOIS	FED. AID PROJECT	

CONTRACT NO. 83857



LEGEND

	BITUMINOUS SURFACE REMOVAL - BUTT JOINT
	CLASS D PATCHES, 14" (SPECIAL)
	BITUMINOUS PAVEMENT REMOVAL AND REPLACEMENT, 3" (SPECIAL)

REVISIONS:		DATE		BY		DESCRIPTION	
04/10/06	SMM						REVISED PER IDOT COMMENTS

PLOTTED BY:	SMM
CHECKED BY:	JR
DRAWN BY:	SMM
CHECKED BY:	JR
APPROVED BY:	DVM

PAVIA-MARTING & Co.
 910 WEST LAKE STREET
 ROSELLE, IL 60172-3352
 (630) 529-8000 FAX (630) 894-4910
 Design Firm Professional Registration #18402376

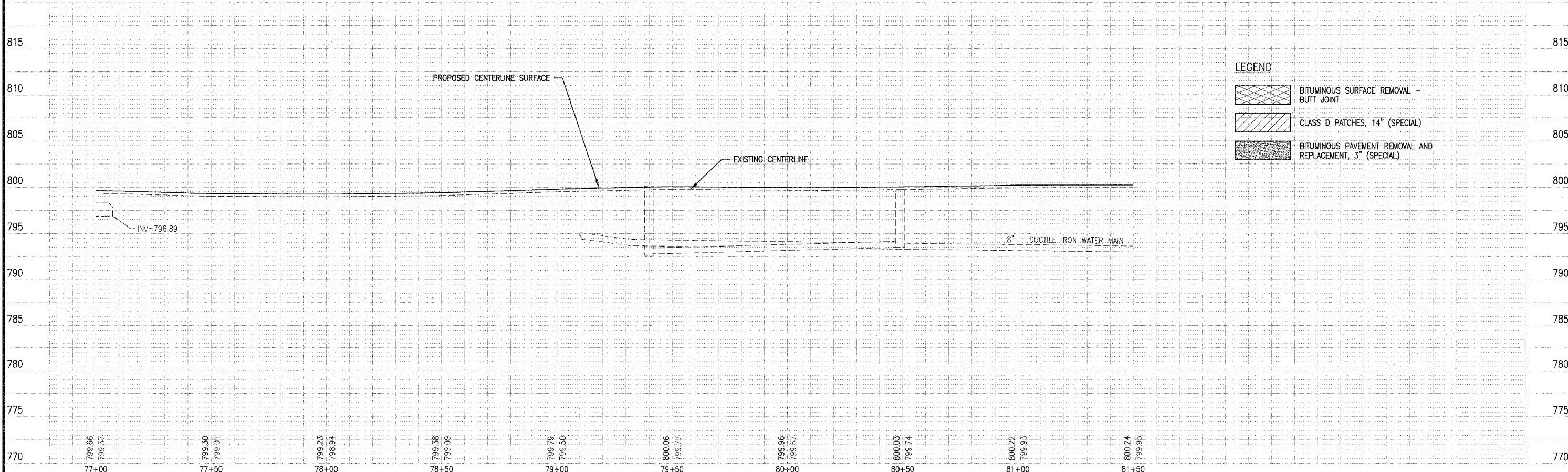
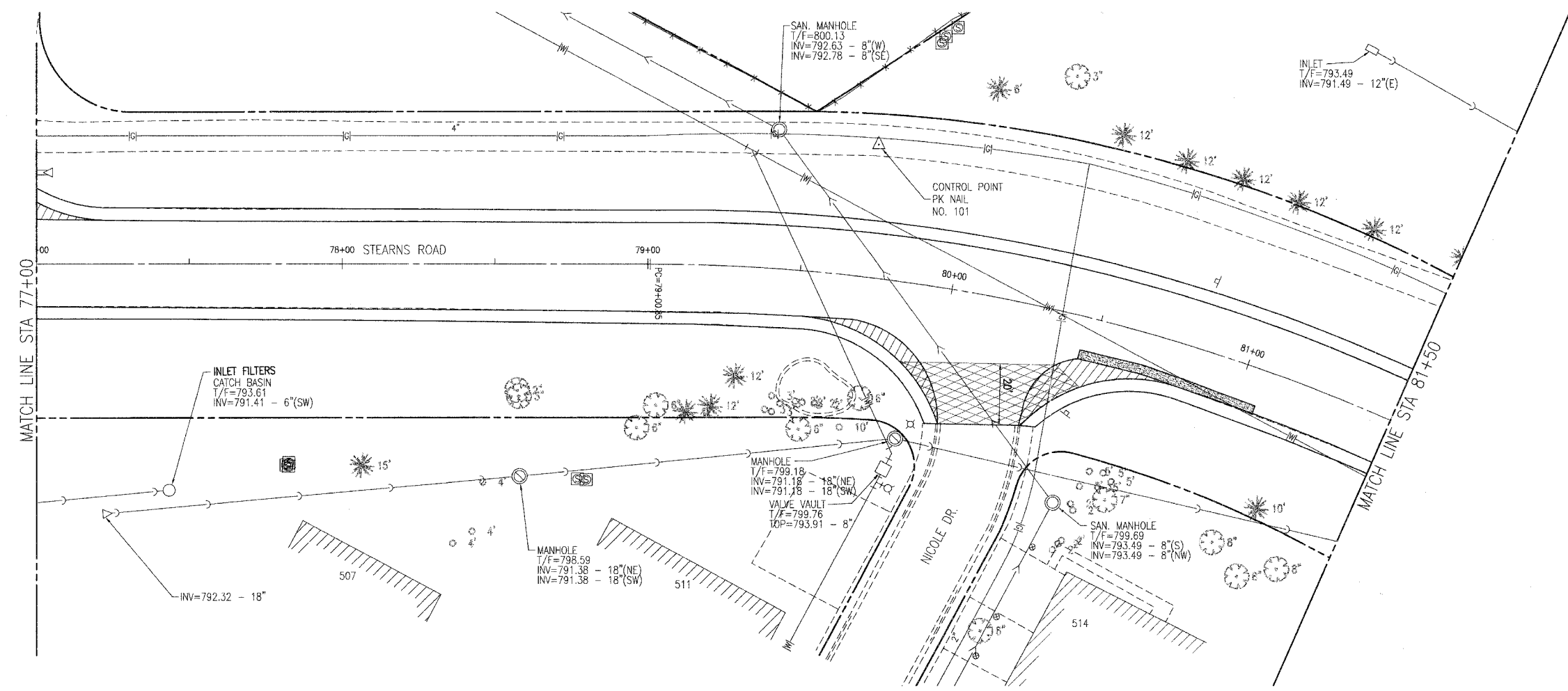
TITLE: STEARNS ROAD RESURFACING IMPROVEMENTS
 PLAN AND PROFILE STA 71+50 TO STA 77+00
 SECTION NO: 06-00079-00-RS

SCALE: 1"=20'H:1"=5'V
 DATE: 02/27/06
 JOB NO: 2809/05
 SHEET: 17 OF 23

F:\1809\05\CADD\RCP1201.DWG 4/13/2006 8:33 AM

F.A.P. RTE.	SECTION	COUNTY	TOTAL SHEETS	SHEET NO.
361	06-00079-00-RS	DUPAGE	28	18
FED. ROAD DIST. NO.	ILLINOIS	FED. AID PROJECT		

CONTRACT NO. 83857



LEGEND

	BITUMINOUS SURFACE REMOVAL - BUTT JOINT
	CLASS D PATCHES, 14\" (SPECIAL)
	BITUMINOUS PAVEMENT REMOVAL AND REPLACEMENT, 3\" (SPECIAL)

REVISIONS:			DATE			BY			DESCRIPTION		
04/10/06	SMM	REVISED PER IDOT COMMENTS									

PLOTTED BY:	SMM
CHECKED BY:	JR
DRAWN BY:	SMM
CHECKED BY:	JR
APPROVED BY:	DVM

PAVIA-MARTING & Co.
 910 WEST LAKE STREET
 ROSELLE, IL 60172-3352
 (630) 529-8000 FAX (630) 894-4910
Design Firm Professional Registration #184002376

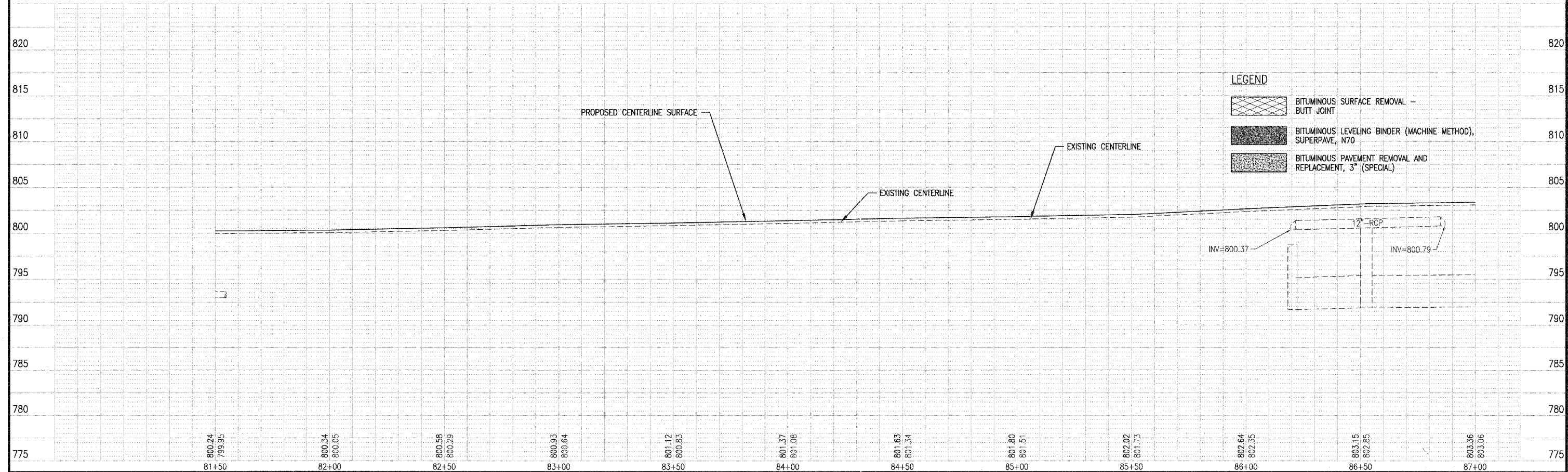
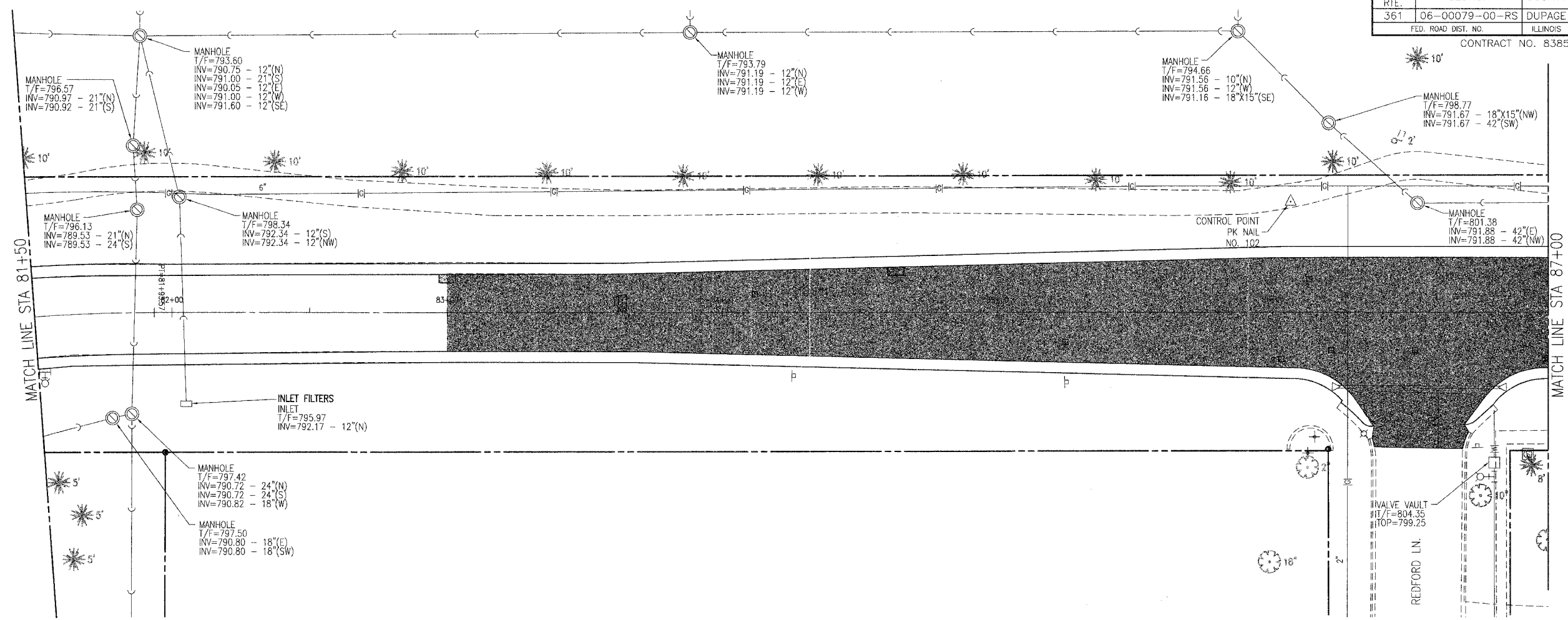
TITLE: STEARNS ROAD REHABILITATION IMPROVEMENTS
 PLAN AND PROFILE STA 77+00 TO STA 81+50
 SECTION NO: 06-00079-00-RS

SCALE:	1"=20'H:1"=5'V
DATE:	02/27/06
JOB NO:	2809/DS
SHEET:	18 OF 28

F:\2809\05\CADD\RCPT\201.DWG 4/13/2006 8:33 AM

F.A.P. RTE.	SECTION	COUNTY	TOTAL SHEETS	SHEET NO.
361	06-00079-00-RS	DUPAGE	28	19
FED. ROAD DIST. NO.		ILLINOIS	FED. AID PROJECT	

CONTRACT NO. 83857



DATE	BY	DESCRIPTION	DATE	BY	DESCRIPTION	DATE	BY	DESCRIPTION
04/10/06	SMM	REVISED PER IDOT COMMENTS						

81+50	800.24 799.95	82+00	800.34 800.05	82+50	800.58 800.29	83+00	800.93 800.64	83+50	801.12 800.83	84+00	801.37 801.08	84+50	801.63 801.34	85+00	801.80 801.51	85+50	802.02 801.73	86+00	802.64 802.35	86+50	803.15 802.85	87+00	803.36 803.06
-------	------------------	-------	------------------	-------	------------------	-------	------------------	-------	------------------	-------	------------------	-------	------------------	-------	------------------	-------	------------------	-------	------------------	-------	------------------	-------	------------------

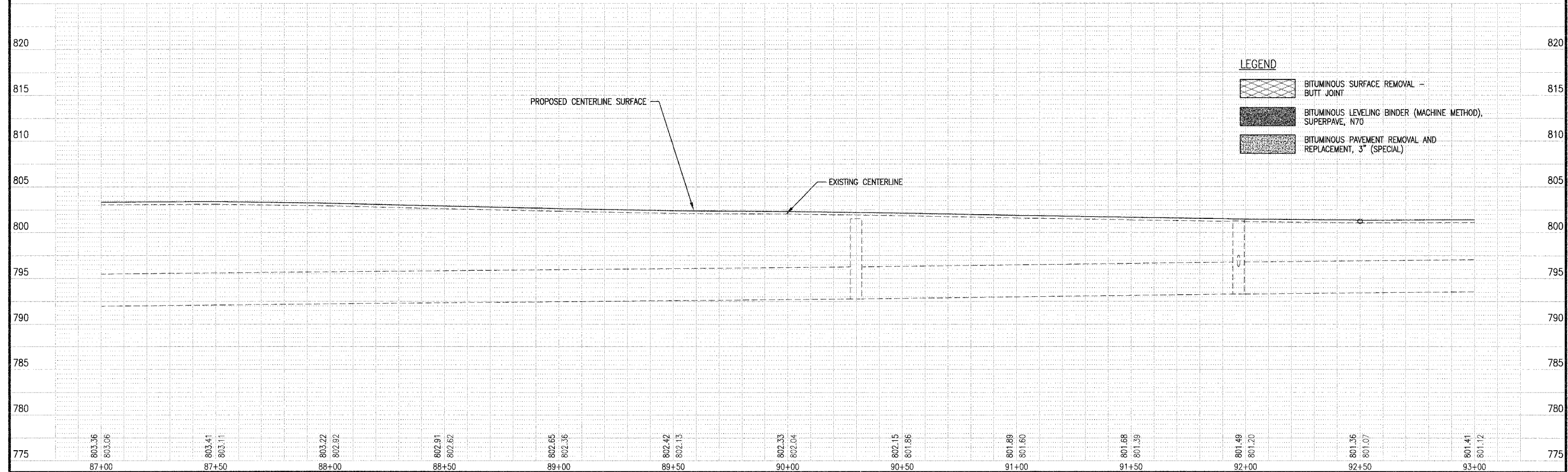
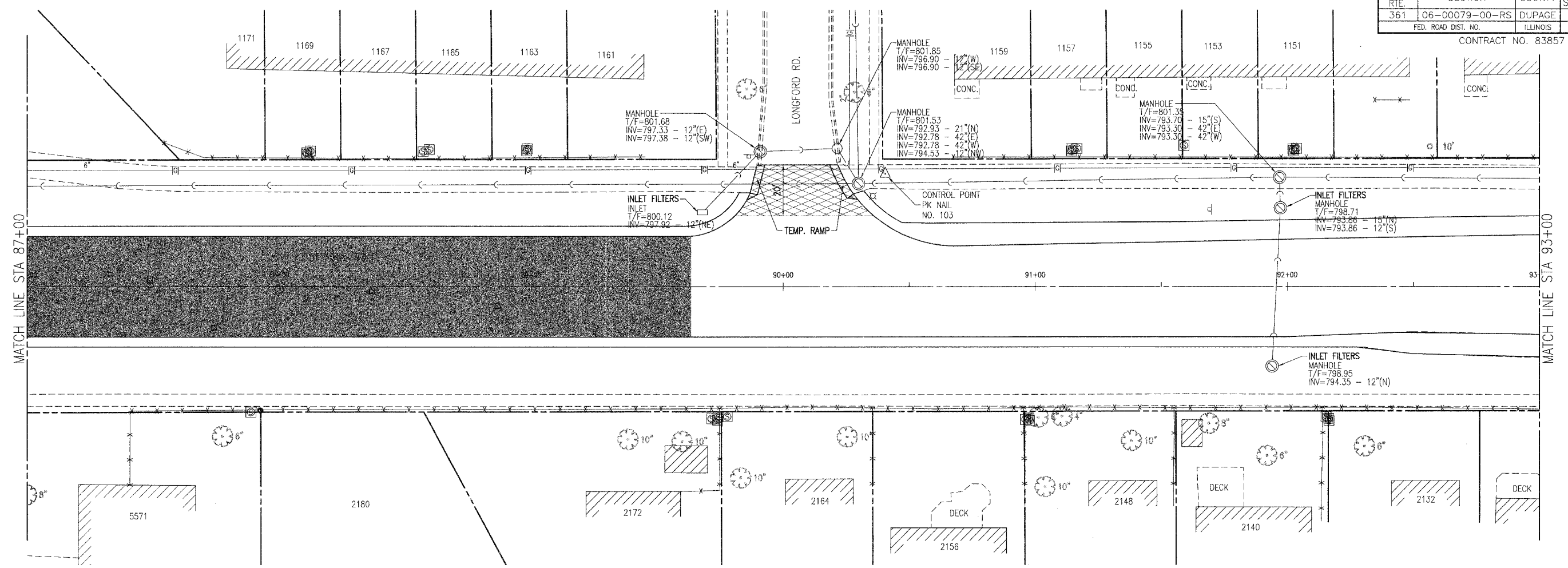
PLOTTED BY:	SMM
CHECKED BY:	JR
DRAWN BY:	SMM
CHECKED BY:	JR
APPROVED BY:	DVM

PAVIA-MARTING & Co. 910 WEST LAKE STREET ROSELLE, IL 60172-3352 (630) 529-8000 FAX (630) 894-4910 Design Firm Professional Registration #184002376	TITLE: STEARNS ROAD RESURFACING IMPROVEMENTS PLAN AND PROFILE STA 81+50 TO STA 87+00 SECTION NO: 06-00079-00-RS	SCALE: 1"=20'H1"=5'V DATE: 02/27/06 JOB NO: 2809/DS SHEET 19 OF 28
---------------------------------------------------------------------------------------------------------------------------------------------------------------------------	------------------------------------------------------------------------------------------------------------------------------------------------------	----------------------------------------------------------------------------------------------------------------

F:\2809\DS\CADD\RCF14201.DWG 4/13/2006 8:34 AM

F.A.P. RTE.	SECTION	COUNTY	TOTAL SHEETS	SHEET NO.
361	06-00079-00-RS	DUPAGE	28	20
FED. ROAD DIST. NO.		ILLINOIS		FED. AID PROJECT

CONTRACT NO. 83857



REVISIONS:			DATE			BY			DESCRIPTION		
04/10/06	SMM	REVISED PER IDOT COMMENTS									

PLOTTED BY:	SMM
CHECKED BY:	JR
DRAWN BY:	SMM
CHECKED BY:	JR
APPROVED BY:	DVM

PAVIA-MARTING & Co.
 910 WEST LAKE STREET
 ROSELLE, IL 60172-3352
 (630) 529-8000 FAX (630) 894-4910
Design Firm Professional Registration #184002376

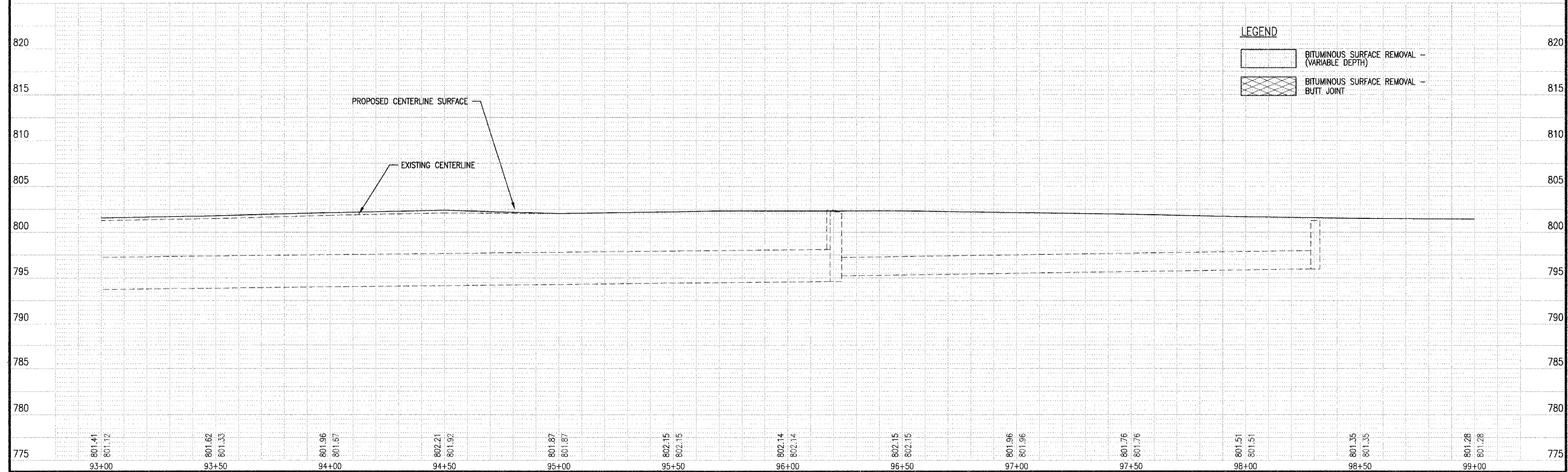
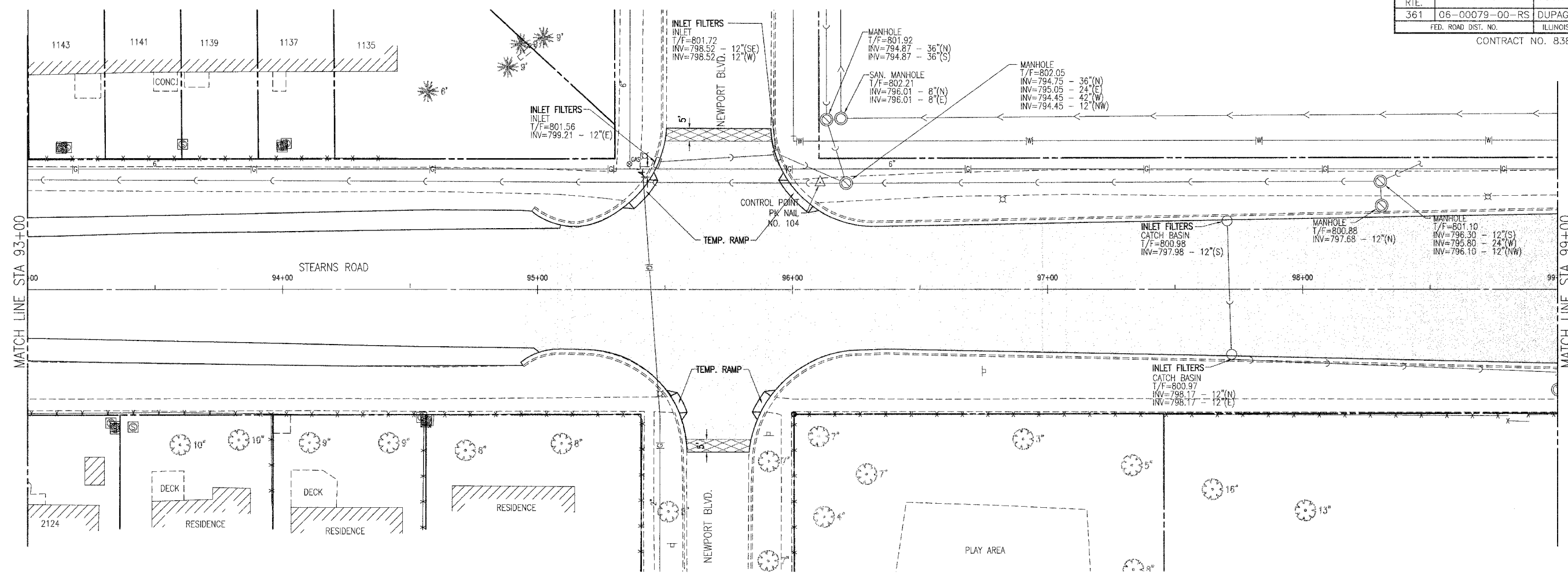
TITLE: **STEARNS ROAD RESURFACING IMPROVEMENTS**
PLAN AND PROFILE STA 87+00 TO STA 93+00
 SECTION NO: 06-00079-00-RS

SCALE: 1"=20'H1"=5'V
 DATE: 02/27/06
 JOB NO: 2809/DS
 SHEET 20 OF 28

F:\2809\DS\CADD\RCF15201.DWG 4/13/2006 8:34 AM

F.A.P. RTE.	SECTION	COUNTY	TOTAL SHEETS	SHEET NO.
361	06-00079-00-RS	DUPAGE	23	21
FED. ROAD DIST. NO.		ILLINOIS	FED. AID PROJECT	

CONTRACT NO. 83857



REVISIONS:			DATE			BY			DESCRIPTION		
04/10/06	SM	SM									REVISED PER IDOT COMMENTS

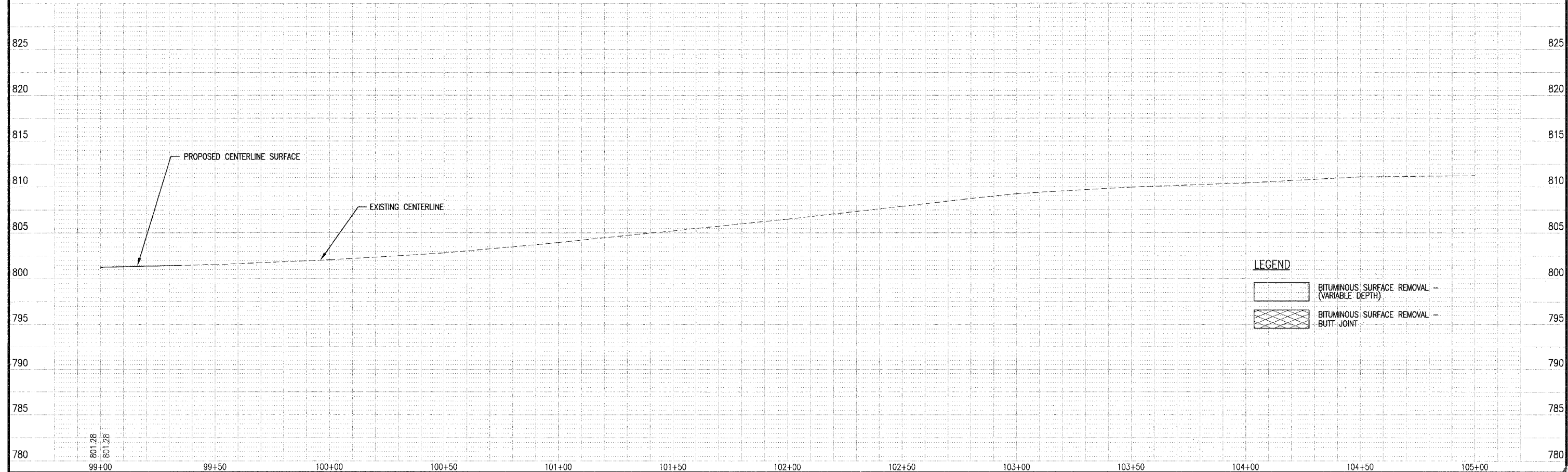
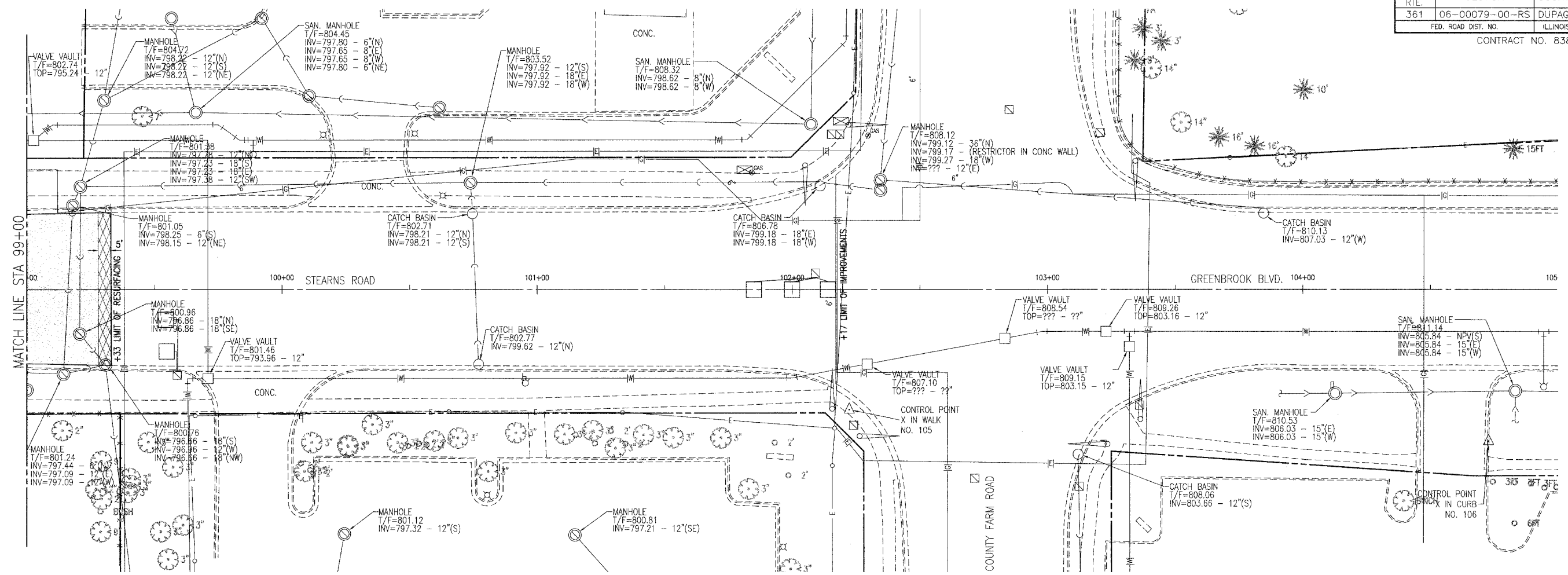
PLOTTED BY:	SM
CHECKED BY:	JR
DRAWN BY:	SM
CHECKED BY:	JR
APPROVED BY:	DVM

PAVIA-MARTING & Co.
 910 WEST LAKE STREET
 ROSELLE, IL 60172-3352
 (630) 529-8000 FAX (630) 894-4910
 Design Firm Professional Registration #184002376

TITLE:
 STEARNS ROAD RESURFACING IMPROVEMENT
 PLAN AND PROFILE STA 93+00 TO STA 99+00
 SECTION NO: 06-00079-00-RS

SCALE: 1"=20'H1"=5'V
 DATE: 02/27/06
 JOB NO: 2809/05
 SHEET 21 of 29

F:\2809\VIS\CADD\RCP16201.DWG 4/13/2006 8:34 AM



LEGEND

	BITUMINOUS SURFACE REMOVAL - (VARIABLE DEPTH)
	BITUMINOUS SURFACE REMOVAL - BUTT JOINT

REVISIONS:			DATE			BY			DESCRIPTION		
DATE	BY	DESCRIPTION	DATE	BY	DESCRIPTION	DATE	BY	DESCRIPTION	DATE	BY	DESCRIPTION
04/10/06	SMM	REVISED PER IDOT COMMENTS									

PLOTTED BY:	SMM
CHECKED BY:	JR
DRAWN BY:	SMM
CHECKED BY:	JR
APPROVED BY:	DVM

PAVIA-MARTING & Co.
 910 WEST LAKE STREET
 ROSELLE, IL 60172-3352
 (630) 529-8000 FAX (630) 894-4910
 Design Firm Professional Registration #184002376

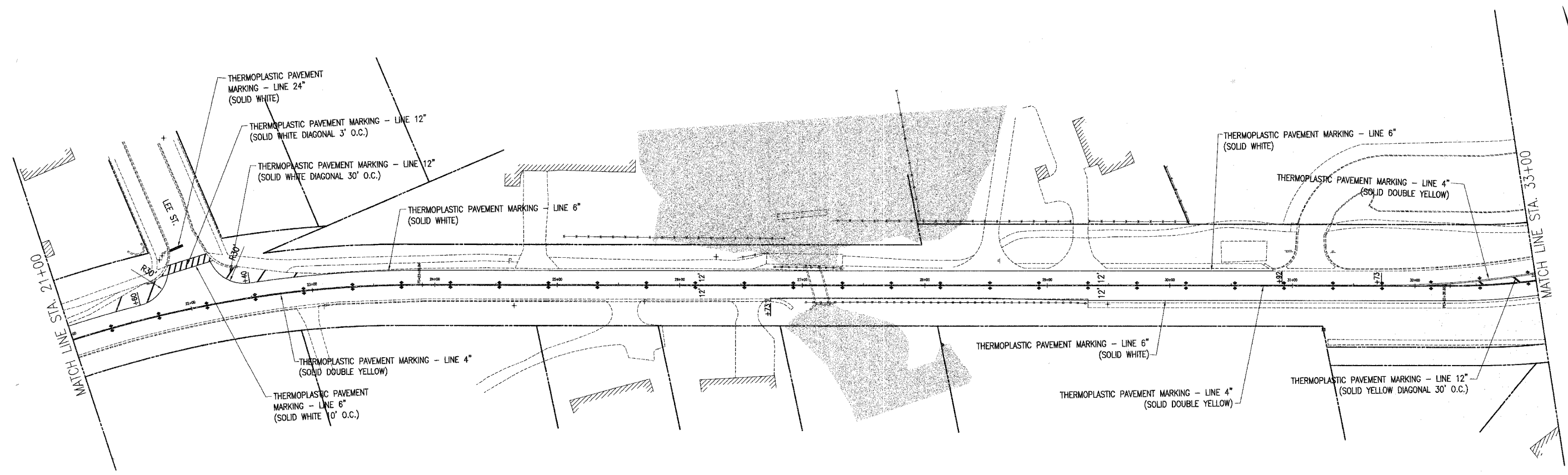
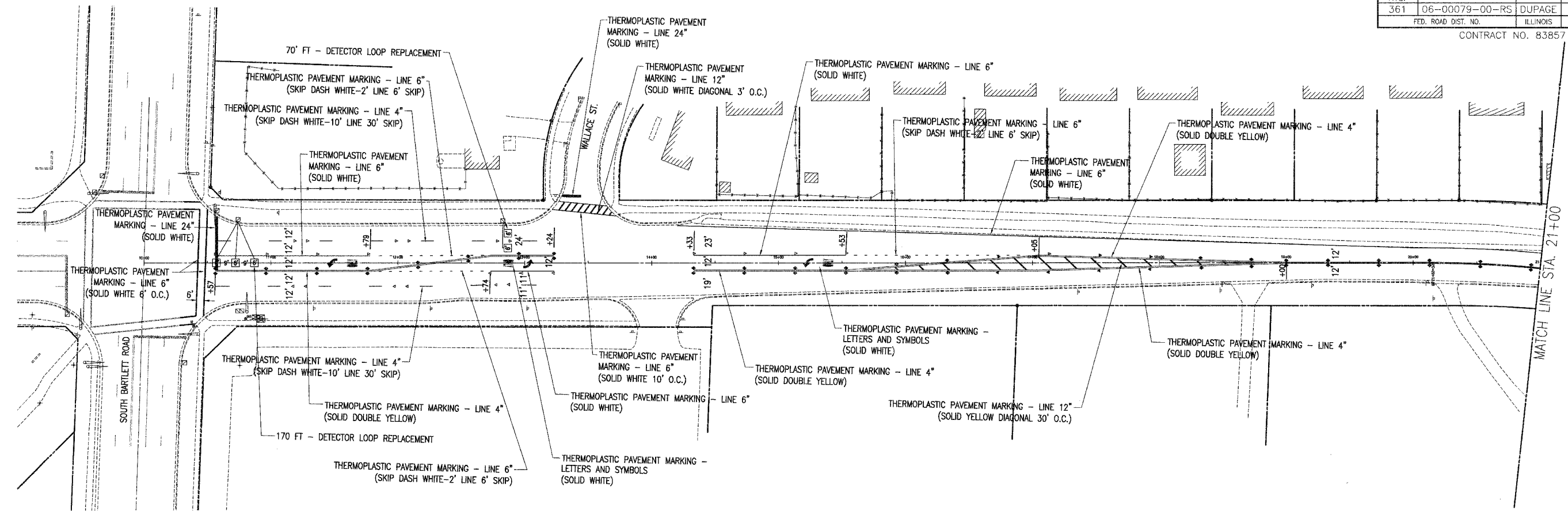
TITLE: STEARNS ROAD RESURFACING IMPROVEMENTS
 PLAN AND PROFILE STA 99+00 TO STA 105+00
 SECTION NO: 06-00079-00-RS

SCALE: 1"=20'H=1"=5'
 DATE: 02/27/06
 JOB NO: 2809/05
 SHEET: 22 OF 28

F:\2809\05\CADD\RCR17201.DWG 4/13/2006 8:34 AM

F.A.P. RTE.	SECTION	COUNTY	TOTAL SHEETS	SHEET NO.
361	06-00079-00-RS	DUPAGE	28	23
FED. ROAD DIST. NO.		ILLINOIS	FED. AID PROJECT	

CONTRACT NO. 83857



F:\2809\DES\CADD\2809DS - MARKING DETAIL SHEETS.DWG 4/13/2006 8:35 AM

REVISIONS		DATE		BY		DESCRIPTION	
DATE	BY	DATE	BY	DATE	BY	DATE	BY
04/10/06	SMM						
REVISED PER IDOT COMMENTS							

PLOTTED BY:	SMM
CHECKED BY:	JR
DRAWN BY:	SMM
CHECKED BY:	JR
APPROVED BY:	DVM

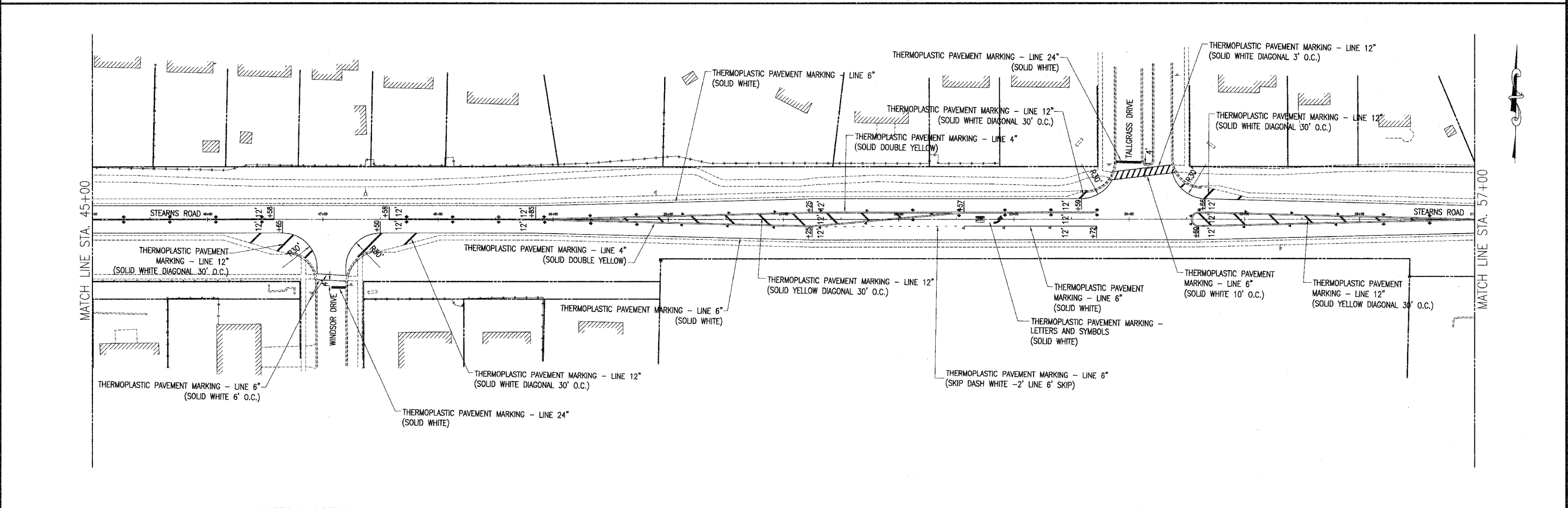
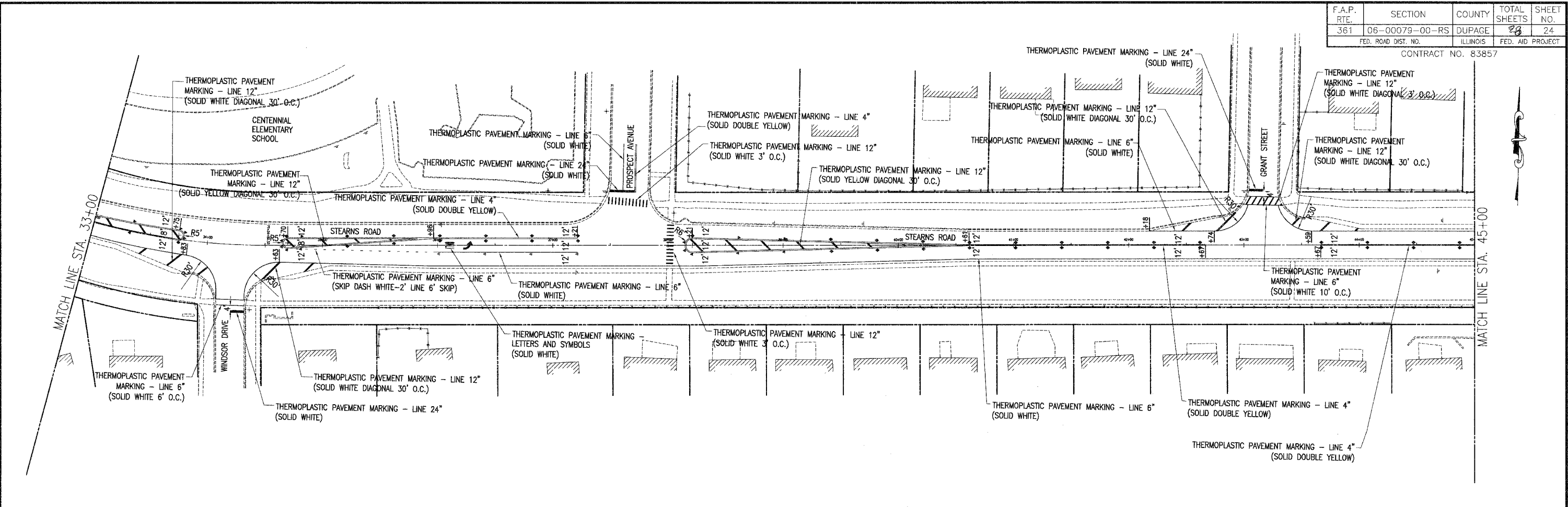
PAVIA-MARTING & Co.
 910 WEST LAKE STREET
 ROSELLE, IL 60172-3352
 (630) 529-8000 FAX (630) 894-4910
 Design Firm Professional Registration #18402376

TITLE: **STEARNS ROAD RESURFACING IMPROVEMENTS
 PAVEMENT MARKING DETAIL**
 SECTION NO. 06-00079-00-RS

SCALE: 1"=40'
 DATE: 02/27/06
 JOB NO: 2809DS
 SHEET 23 OF 28

F.A.P. RTE.	SECTION	COUNTY	TOTAL SHEETS	SHEET NO.
361	06-00079-00-RS	DUPAGE	23	24
FED. ROAD DIST. NO.		ILLINOIS	FED. AID PROJECT	

CONTRACT NO. 83857



F:\2809\DES\CADD\2809DS - MARKING DETAIL SHEETS.DWG 4/13/2006 8:35 AM

REVISIONS:			DATE			BY			DESCRIPTION		
04/10/06	SMM	REVISED PER IDOT COMMENTS									

PLOTTED BY:	SMM
CHECKED BY:	JR
DRAWN BY:	SMM
CHECKED BY:	JR
APPROVED BY:	DVM

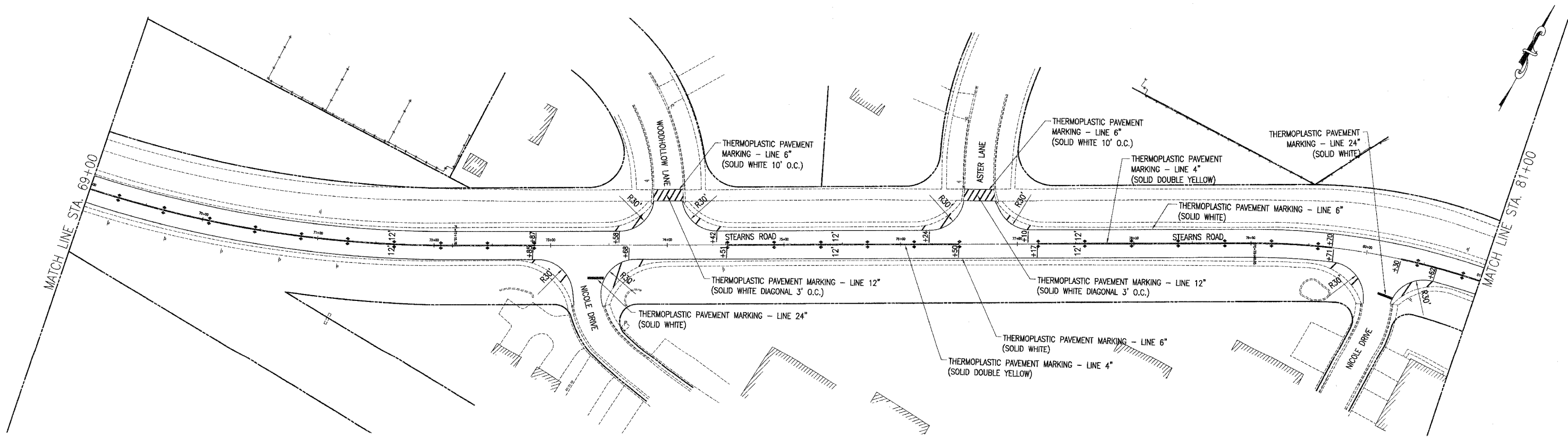
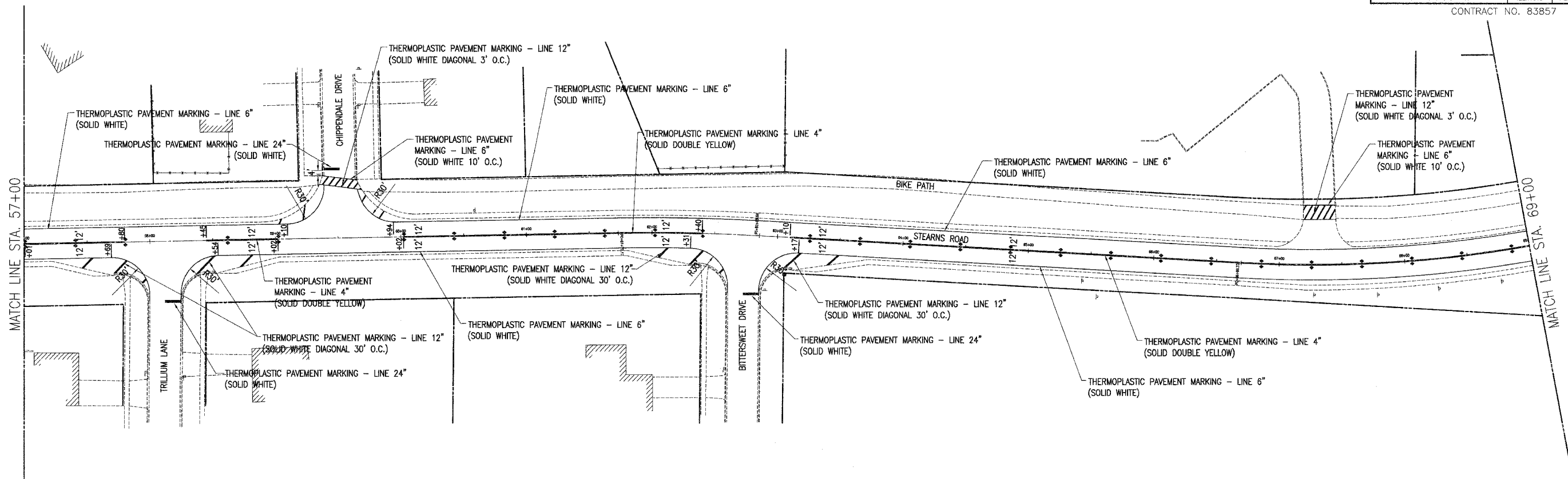
PAVIA-MARTING & Co.
 910 WEST LAKE STREET
 ROSELLE, IL 60172-3352
 (630) 529-8000 FAX (630) 894-4910
Design Firm Professional Registration #184002376

TITLE: **STEARNS ROAD RESURFACING IMPROVEMENTS
 PAVEMENT MARKING DETAIL**
 SECTION NO. 06-00079-00-RS

SCALE: 1"=40'
 DATE: 02/27/06
 JOB NO: 2809DS
 SHEET: 24 OF 24

F.A.P. RTE.	SECTION	COUNTY	TOTAL SHEETS	SHEET NO.
361	06-00079-00-RS	DUPAGE	28	25
FED. ROAD DIST. NO.		ILLINOIS	FED. AID PROJECT	

CONTRACT NO. 83857



F:\2809\05\CADD\2809DS - MARKING DETAIL SHEETS.DWG 4/13/2006 8:35 AM

REVISIONS:					
DATE	BY	DESCRIPTION	DATE	BY	DESCRIPTION
04/10/06	SMM	REVISED PER IDOT COMMENTS			

PLOTTED BY:	SMM
CHECKED BY:	JR
DRAWN BY:	SMM
CHECKED BY:	JR
APPROVED BY:	DVM

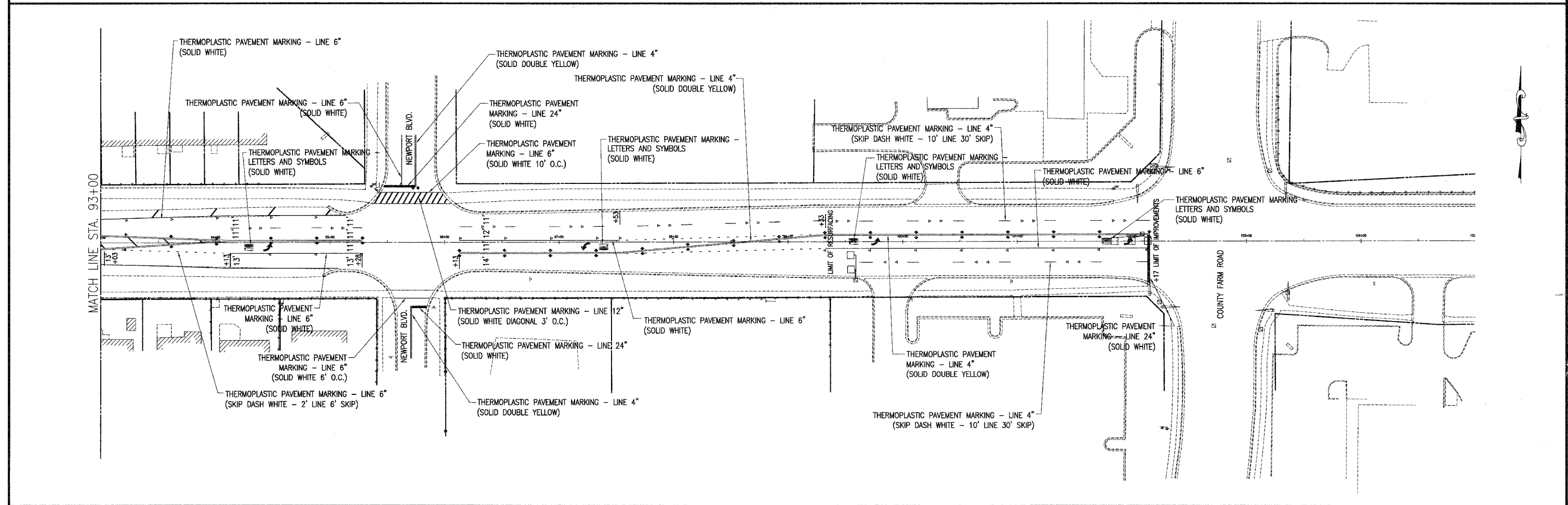
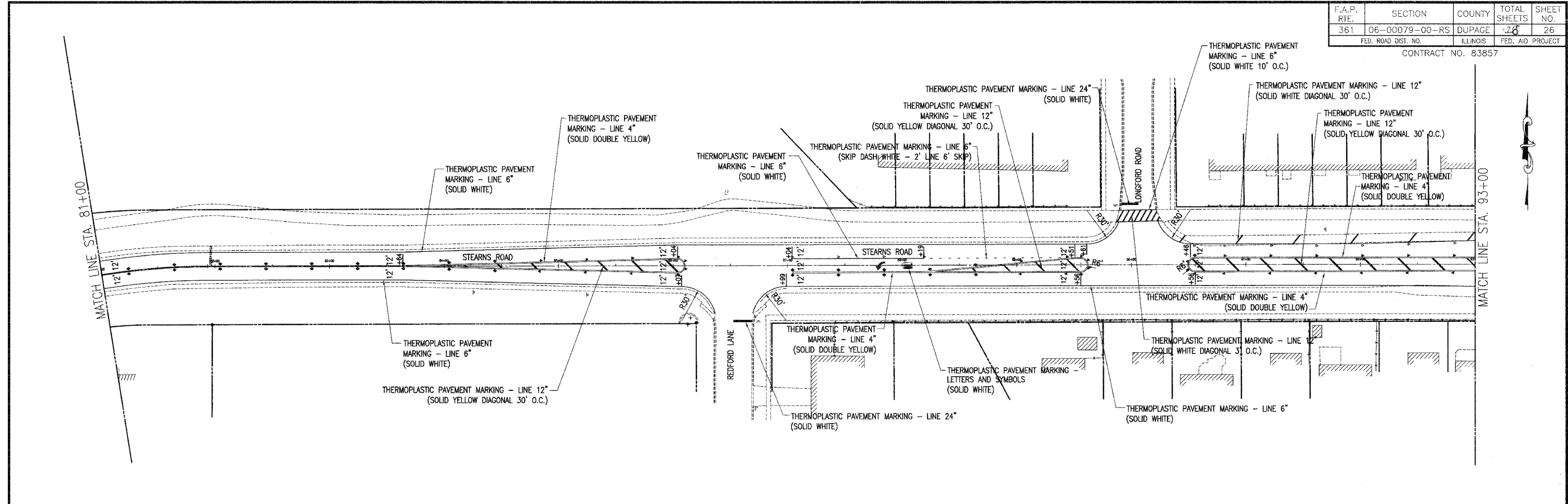
PAVIA-MARTING & Co.
 910 WEST LAKE STREET
 ROSELLE, IL 60172-3352
 (630) 529-8000 FAX (630) 894-4910
Design Firm Professional Registration #184002376

TITLE: **STEARNS ROAD RESURFACING IMPROVEMENTS
 PAVEMENT MARKING DETAIL
 SECTION NO. 06-00079-00-RS**

SCALE: 1"=46'
 DATE: 02/27/06
 JOB NO: 2809DS
 SHEET 25 OF 28

F.A.P. RTE.	SECTION	COUNTY	TOTAL SHEETS	SHEET NO.
361	06-00079-00-RS	DUPAGE	26	26
FED. ROAD DIST. NO.		ILLINOIS	FED. AID PROJECT	

CONTRACT NO. 83857



DATE	BY	DESCRIPTION	DATE	BY	DESCRIPTION
04/10/06	SMM	REVISED PER IDOT COMMENTS			

DATE	BY	DESCRIPTION	DATE	BY	DESCRIPTION

PLOTTED BY:	SMM
CHECKED BY:	JR
DRAWN BY:	SMM
CHECKED BY:	JR
APPROVED BY:	DVM

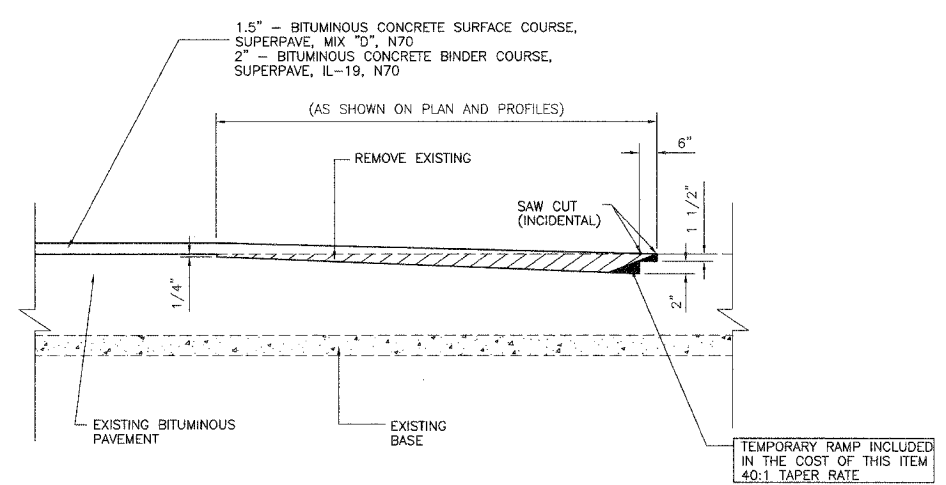
PAVIA-MARTING & Co.
 910 WEST LAKE STREET
 ROSELLE, ILL. 60172-3352
 (630) 529-8000 FAX (630) 894-4910
 Design Firm Professional Registration #184092376

TITLE: **STEARNS ROAD RESURFACING IMPROVEMENTS
 PAVEMENT MARKING DETAIL**
 SECTION NO. 06-00079-00-RS

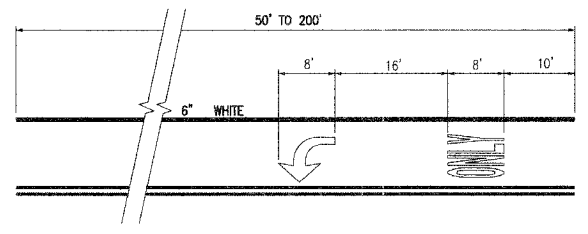
SCALE: 1"=40'
 DATE: 02/27/06
 JOB NO: 2809DS
 SHEET 26 OF 29

F:\2809\DS\CADD\2809DS - MARKING DETAIL SHEETS.DWG 4/13/2006 8:35 AM

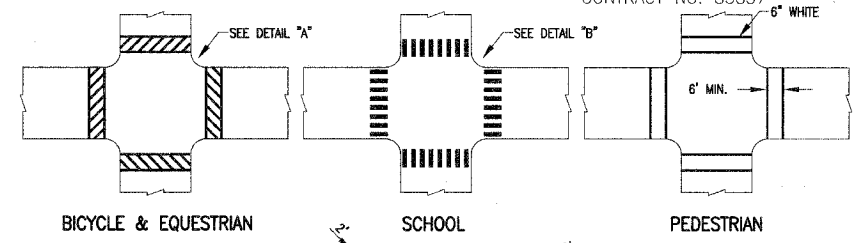
CONTRACT NO. 83857



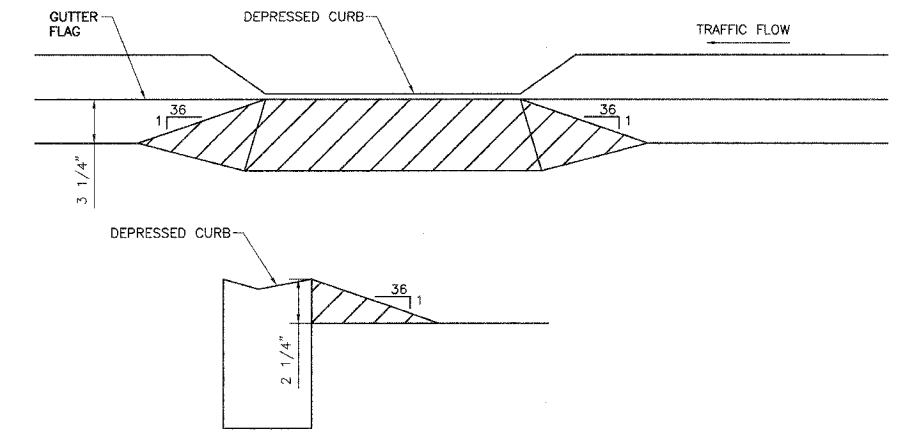
BUTT JOINT DETAIL
NOT TO SCALE



TYPICAL TURN LANE MARKING DETAIL
NOT TO SCALE

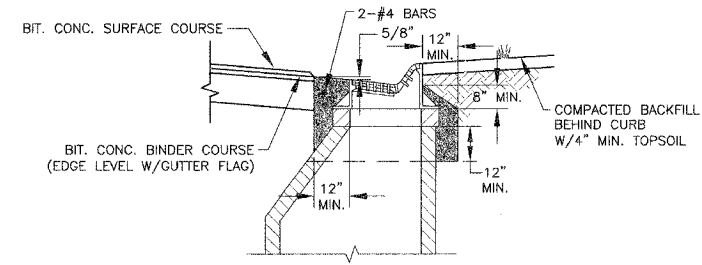
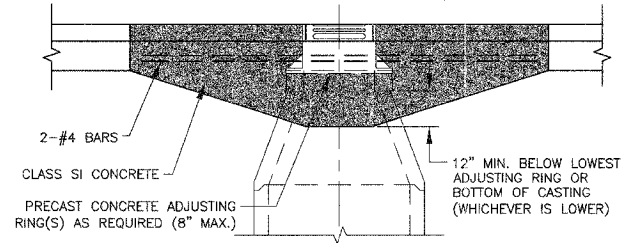
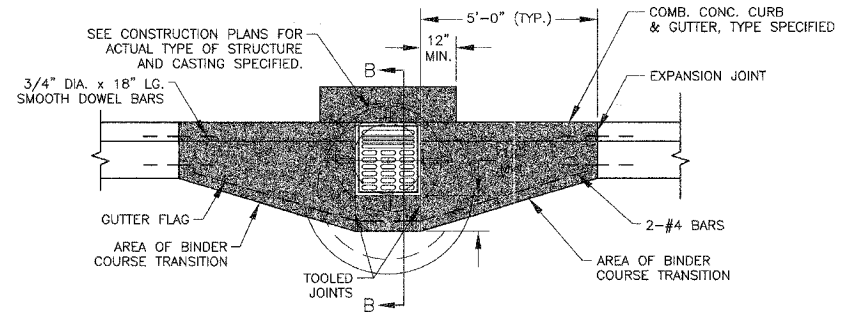


TYPICAL CROSSWALK MARKING
NOT TO SCALE

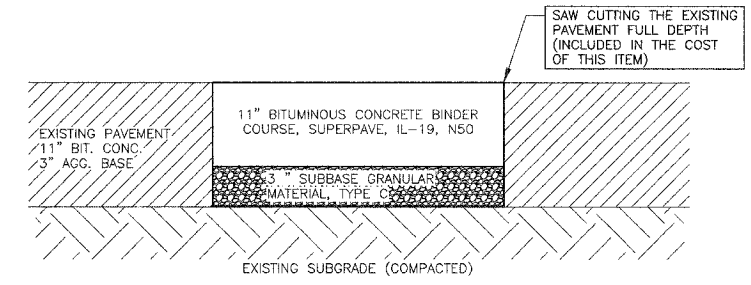


- NOTES:
- COST TO CONSTRUCT, MAINTAIN AND REMOVE THE RAMP SHALL BE INCIDENTAL TO THE CONTRACT.
 - "BUMP" SIGN SHOULD BE POSTED IN SUCH A MANNER TO AVOID OBSTRUCTING VISION OF THE DRIVE TO SEE ON COMING TRAFFIC OR FROM BEING SEEN.

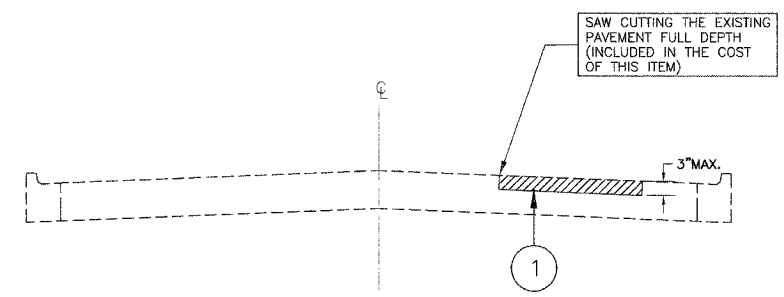
TEMPORARY RAMPS AT DRIVEWAYS, SIDEWALKS AND BIKE PATHS
NOT TO SCALE



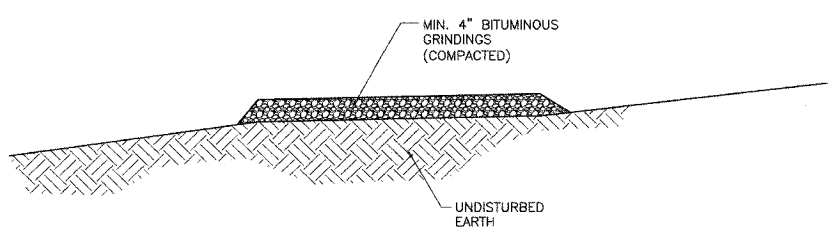
DRAINAGE STRUCTURE BOXOUT
NOT TO SCALE. FOR TYPE M-6.12 OR B-6.12 CURB & GUTTER



CLASS D PATCH
NOT TO SCALE



- LEGEND:**
- ① BITUMINOUS CONCRETE BINDER COURSE, SUPERPAVE, IL-19, N70, 3"
- BITUMINOUS PAVEMENT REMOVAL & REPLACEMENT, 3" (SPECIAL)**
NOT TO SCALE



TEMPORARY SIDEWALK
NOT TO SCALE

REVISIONS:	DATE	BY	DESCRIPTION	DATE	BY	DESCRIPTION
	04/10/06	SMM	REVISED PER IDOT COMMENTS			

PLOTTED BY:	SMM
CHECKED BY:	JR
DRAWN BY:	SMM
CHECKED BY:	JR
APPROVED BY:	DVM

PAVIA-MARTING & Co.
910 WEST LAKE STREET
ROSELLE, IL 60172-3352
(630) 529-8000 FAX (630) 854-4910
Design Firm Professional Registration #18492375

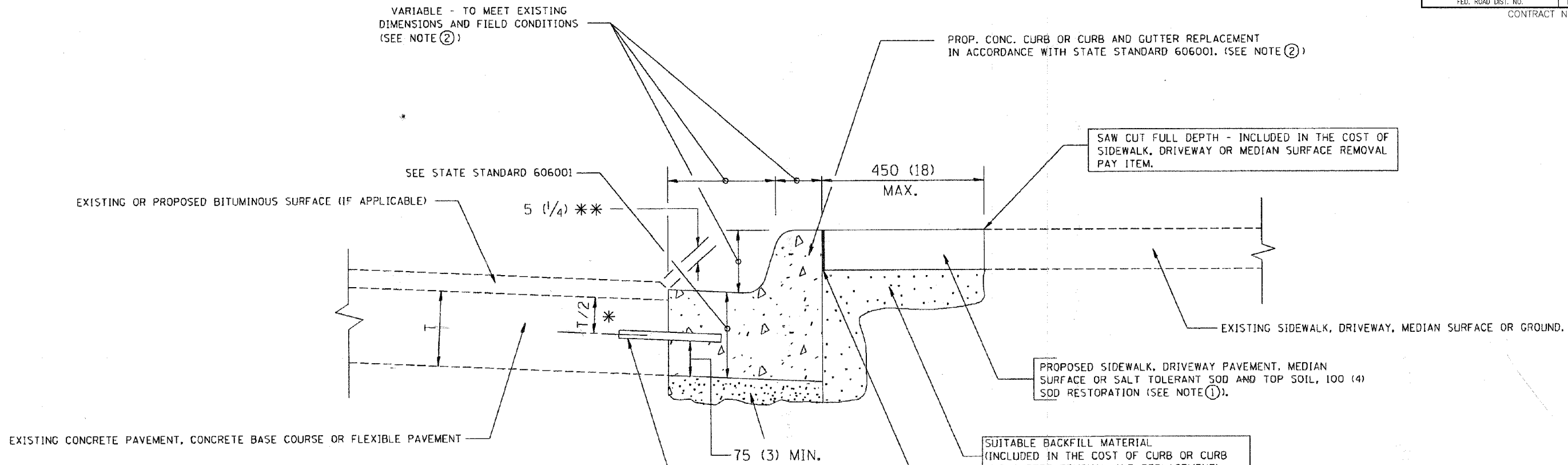
STEARNS ROAD RESURFACING IMPROVEMENTS
DETAILS
SECTION NO: 06-00079-00-RS

SCALE:	NONE
DATE:	02/27/06
JOB NO:	2809/DS
SHEET	27 OF 28

F:\2809 US_CADD\2809DUS - DETAIL SHEETS.DWG 4/13/2006 8:35 AM

F.A.P. RTE.	SECTION	COUNTY	TOTAL SHEETS	SHEET NO.
361	06-00079-00-RS	DUPAGE	26	28
FED. ROAD DIST. NO.		ILLINOIS	FED. AID PROJECT	

CONTRACT NO. 83857



- * 75 (3) MINIMUM FROM TOP AND BOTTOM OF THE CONCRETE PAVEMENT OR BASE COURSE.
- ** IF THE FINAL SURFACE OF THE PAVEMENT IS CONCRETE, THE GUTTER IS TO BE FLUSH WITH THE PAVEMENT.

- NOTE:
- ① SIDEWALK, DRIVEWAY PAVEMENT OR MEDIAN SURFACE SHALL BE SIMILAR TO THE MATERIAL BEING REMOVED AND WILL BE PAID FOR SEPARATELY.
 - SALT TOLERANT SOD AND TOP SOIL, 100 (4) RESTORATION WILL NOT BE PAID FOR SEPARATELY, BUT SHALL BE INCLUDED IN THE COST OF CURB OR CURB AND GUTTER REMOVAL AND REPLACEMENT.
 - ② CURB OR CURB AND GUTTER REPLACEMENT SHALL MATCH THE SHAPE OF THE EXISTING CURB OR CURB AND GUTTER UNLESS OTHERWISE SPECIFIED.
 - ③ FOR CURB OR CURB AND GUTTER REMOVAL AND REPLACEMENT ADJACENT TO FLEXIBLE PAVEMENT DELETE EPOXY COATED TIE BARS.
 - ④ LONGITUDINAL BARS, IF ENCOUNTERED IN THE EXISTING CURB OR CURB AND GUTTER, ARE NOT TO BE REPLACED. CUTTING AND REMOVING LONGITUDINAL BARS SHALL BE INCLUDED IN THE COST OF CURB OR CURB AND GUTTER REMOVAL AND REPLACEMENT.
 - ⑤ THE COST OF BITUMINOUS SURFACE REMOVAL IN THE EXISTING GUTTER FLAG SHALL BE INCLUDED IN THE COST OF THE CURB AND GUTTER REMOVAL AND REPLACEMENT.
 - ⑥ THE REMOVAL AND REPLACEMENT OF THE EXISTING CURB OR CURB AND GUTTER SHALL BE DONE IN ACCORDANCE WITH THE APPLICABLE PORTIONS OF SECTION 440 AND 606 OF THE STANDARD SPECIFICATIONS.
 - ⑦ THE LOCATIONS OF REMOVAL AND REPLACEMENT OF EXISTING CURB OR CURB AND GUTTER SHALL BE DETERMINED BY THE RESIDENT ENGINEER AT THE TIME OF CONSTRUCTION.

BASIS OF PAYMENT:
 THIS WORK WILL BE PAID FOR AT THE CONTRACT UNIT PRICE PER METER (FOOT) FOR "CURB REMOVAL AND REPLACEMENT" OR "COMBINATION CONCRETE CURB AND GUTTER REMOVAL AND REPLACEMENT".

CURB OR CURB AND GUTTER REMOVAL AND REPLACEMENT

REVISIONS	
NAME	DATE
M. DE YONG	05/28/91
A. HOUSEH	03/11/94
R. SHAH	02/24/95
R. SHAH	03/02/95
R. SHAH	08/19/96
R. SHAH	09/12/96
R. SHAH	09/19/96
R. SHAH	10/03/96
A. ABBAS	03/21/97
M. GOMEZ	01/22/01

ALL DIMENSIONS ARE IN MILLIMETERS (INCHES) UNLESS OTHERWISE SHOWN.

ILLINOIS DEPARTMENT OF TRANSPORTATION
**CURB OR
 CURB AND GUTTER
 REMOVAL AND REPLACEMENT**

SCALE: NONE
 DATE: 10/18/2002
 DRAWN BY: [blank]
 CHECKED BY: [blank]