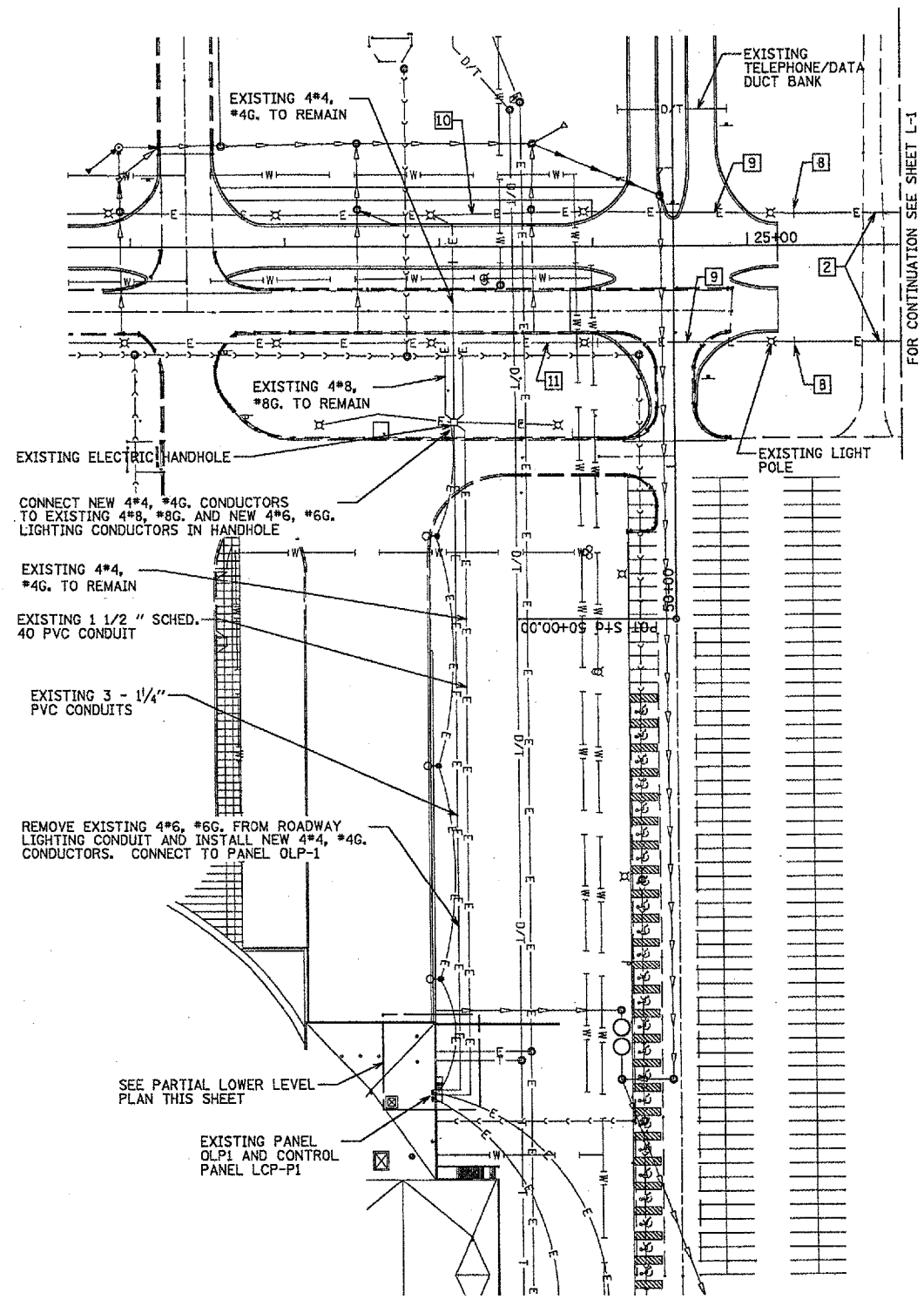
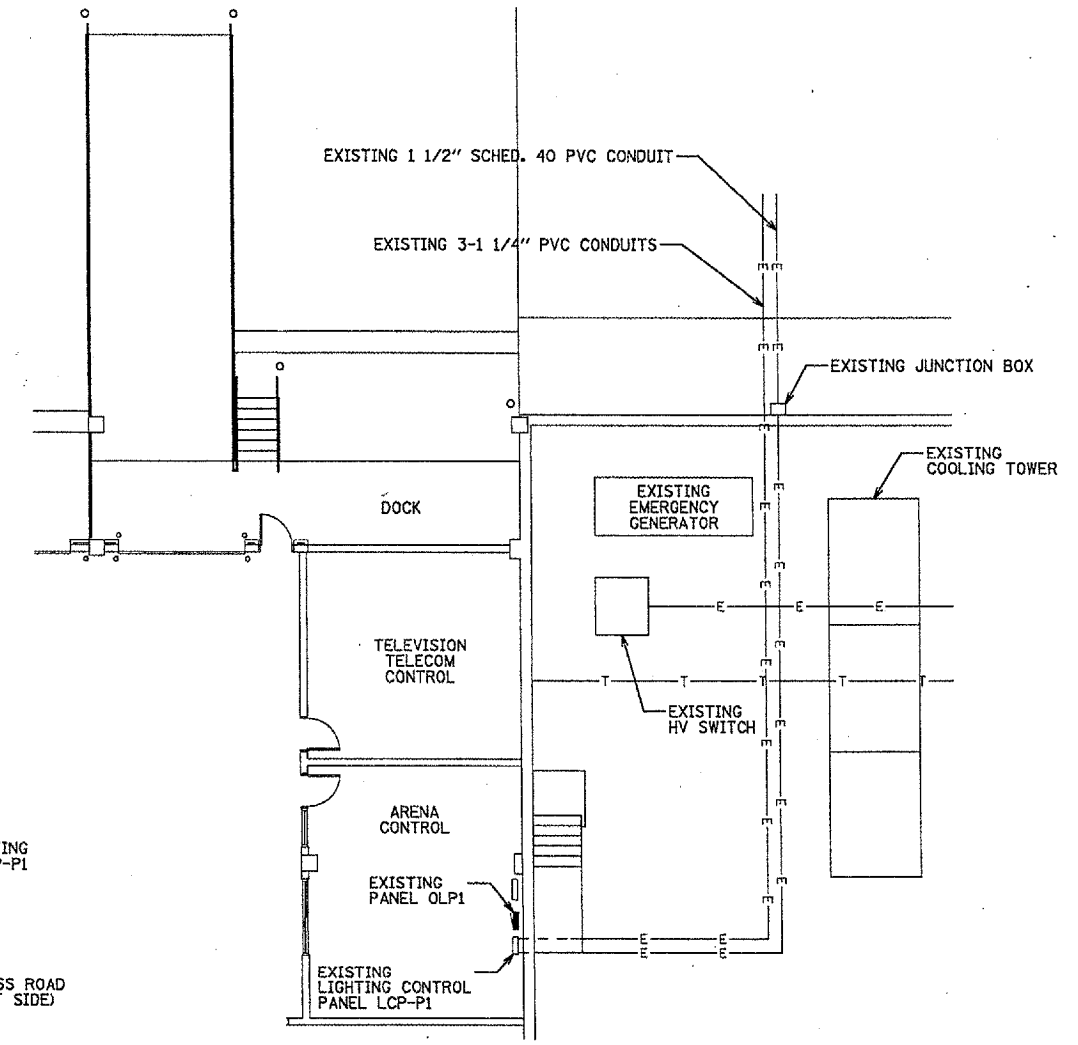


F.A. RTE.	SECTION	COUNTY	TOTAL SHEETS	SHEET NO.
	05-00001-01-PV	DEKALB	38	20
STA.	TO STA.			
C# 87319 ILLINOIS FED. AID PROJECT				

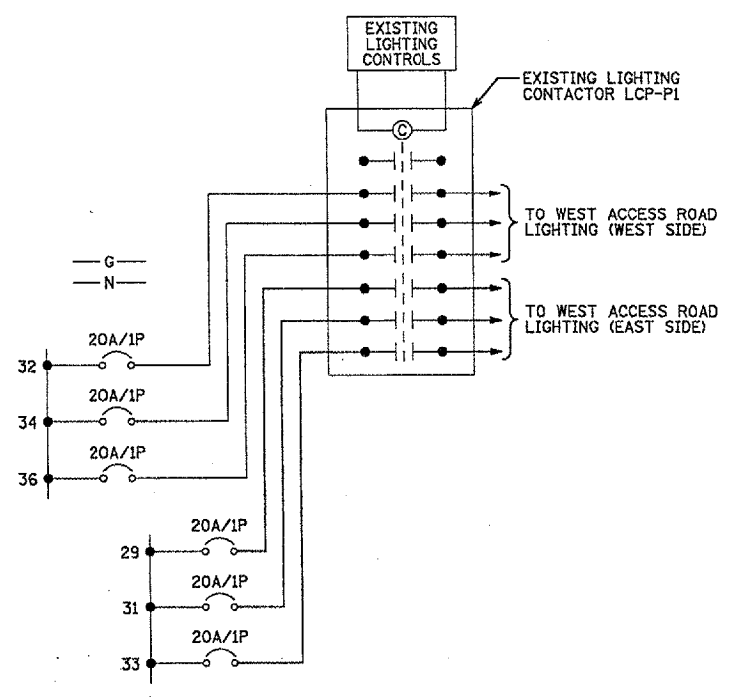


FOR CONTINUATION SEE SHEET L-1

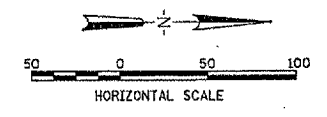
THE LOCATION, SIZE AND TYPE OF MATERIAL OF EXISTING UNDERGROUND UTILITIES INDICATED ON THE PLANS IS NOT REPRESENTED AS BEING ACCURATE, SUFFICIENT OR COMPLETE. IT SHALL BE THE CONTRACTOR'S RESPONSIBILITY TO DETERMINE THE ACTUAL LOCATION OF ALL SUCH FACILITIES, INCLUDING THE SERVICE CONNECTIONS TO UNDERGROUND UTILITIES. PRIOR TO CONSTRUCTION THE CONTRACTOR SHALL NOTIFY THE UTILITY COMPANIES OF HIS OPERATIONAL PLANS AND SHALL OBTAIN FROM THE RESPECTIVE UTILITY COMPANIES DETAILED INFORMATION AND ASSISTANCE RELATIVE TO THE LOCATION OF THEIR FACILITIES AND THE WORKING SCHEDULE OF THE COMPANIES FOR REMOVAL OR ADJUSTMENT WHERE REQUIRED. IN THE EVENT AN UNEXPECTED UTILITY INTERFERENCE IS ENCOUNTERED DURING CONSTRUCTION, THE CONTRACTOR SHALL IMMEDIATELY NOTIFY THE UTILITY COMPANY OF JURISDICTION, THE ENGINEER SHALL ALSO BE IMMEDIATELY NOTIFIED. ANY SUCH MAINS AND SERVICES SHALL BE RESTORED TO SERVICE AT ONCE AND PAID FOR BY THE CONTRACTOR AT NO ADDITIONAL COST TO THE CONTRACT.



PARTIAL LOWER LEVEL PLAN
NOT TO SCALE



EXISTING PANEL OLP-1,
SQUARE D TYPE NF, 480Y/277
EXTERIOR LIGHTING CONTROL DIAGRAM
NOT TO SCALE



HANSON
Hanson Professional Services Inc.
© Copyright Hanson Professional Services Inc. 2005

LAYOUT	ANC	02/07/06
DESIGN	ANC	04/20/06
REVISION	PJT	07/20/06

REVISIONS	
NAME	DATE

ILLINOIS DEPARTMENT OF TRANSPORTATION
SECTION 04-00001-00-PV
DEKALB COUNTY
NORTHERN ILLINOIS UNIVERSITY WEST ACCESS
ROAD EXTENSION
**ROADWAY LIGHTING
PLAN**
SCALE: AS SHOWN
DATE 05/18/06
DRAWN BY ANC
CHECKED BY PJT

L-3