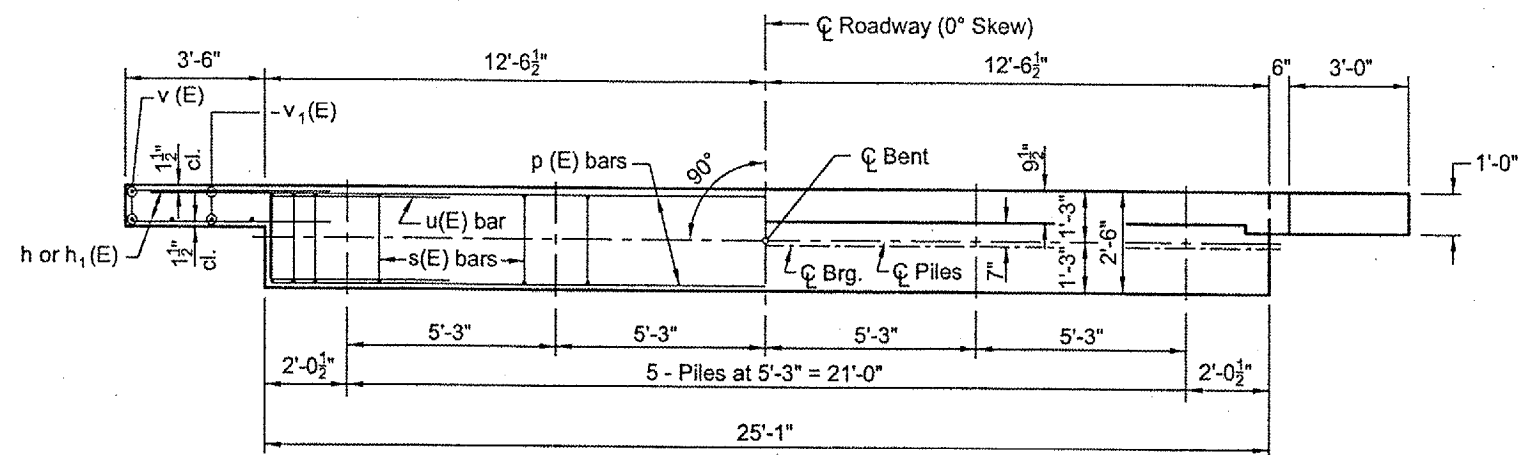
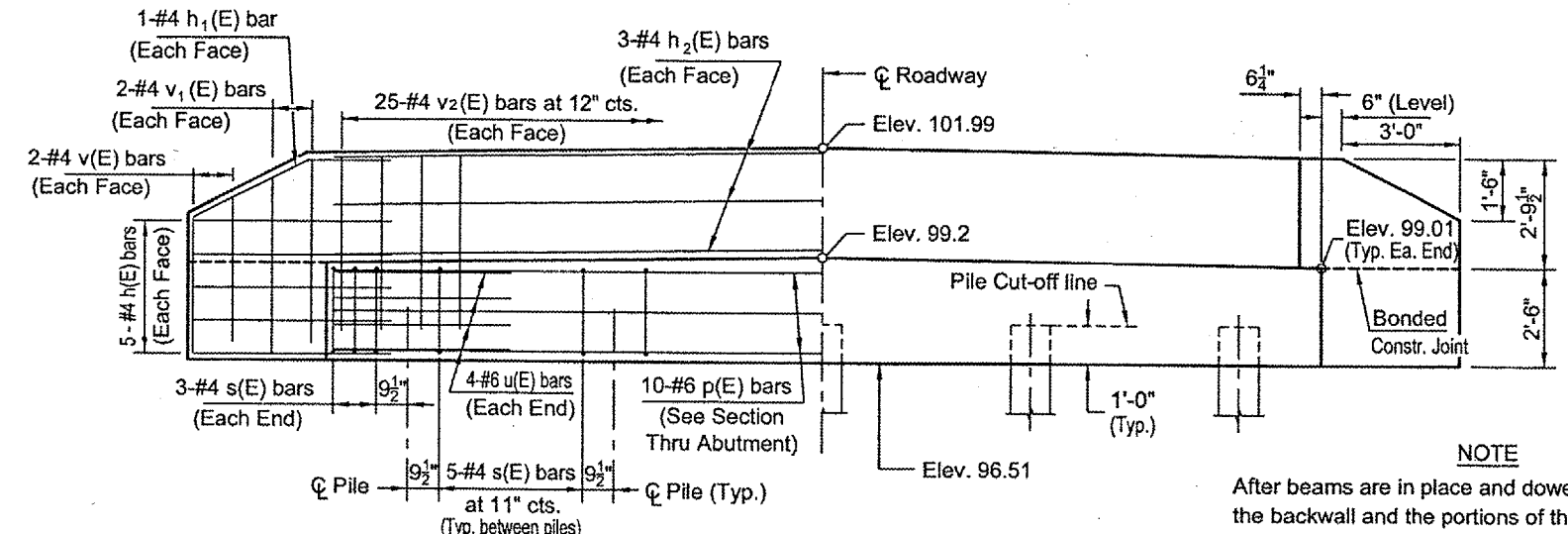


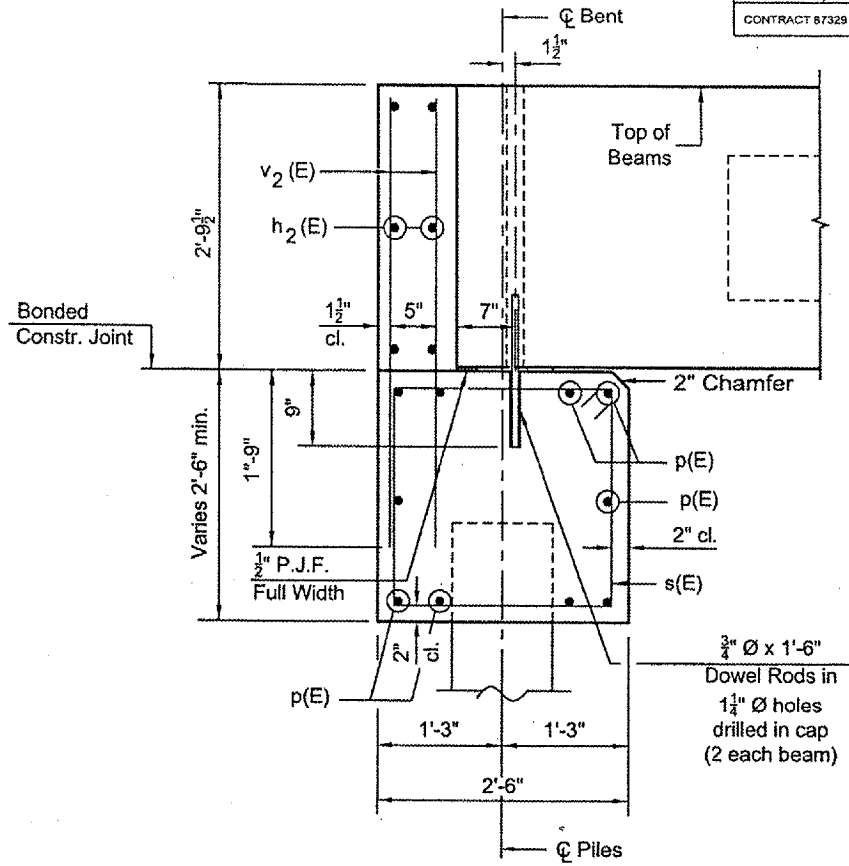
ROUTE NO.	SECTION	TOTAL SHEETS	SHEET NO.
T.R. 87	05-12124-00-BR	9	8
CONTRACT 87329 ILLINOIS		FED. AID PROJ. - BROS-011(68)	



**PLAN**



**ELEVATION**

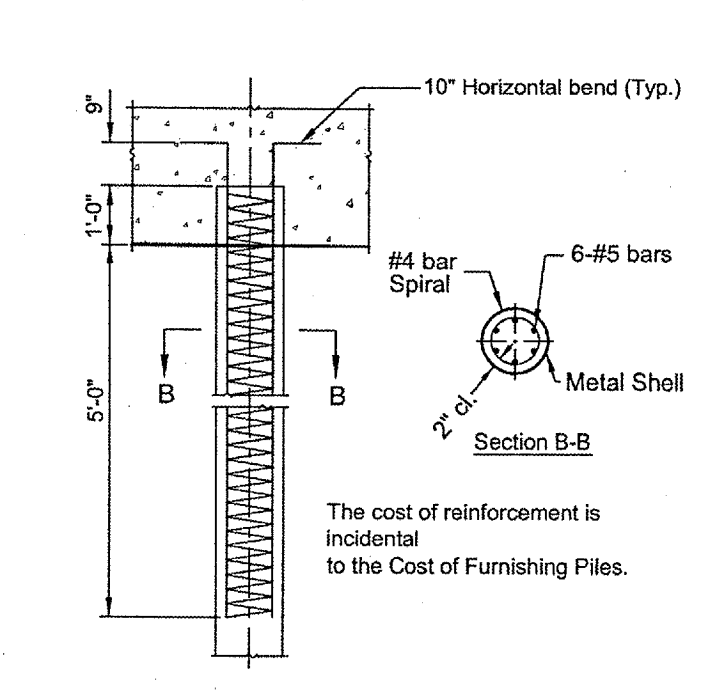
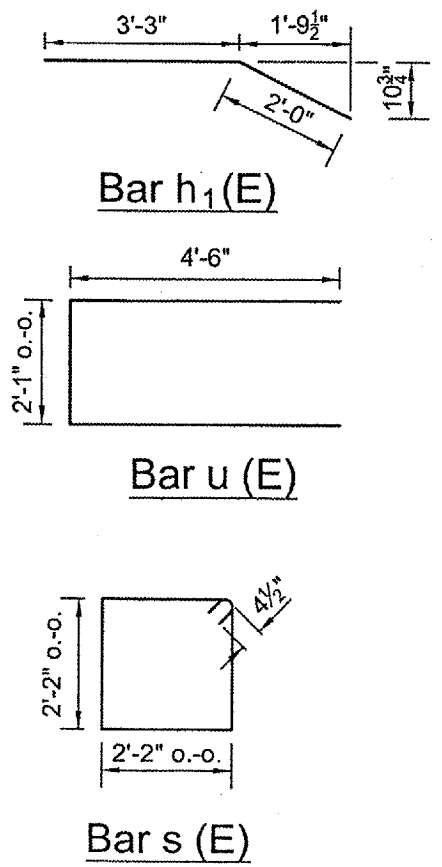


**SECTION THRU ABUTMENT  
(At Right Angles)**

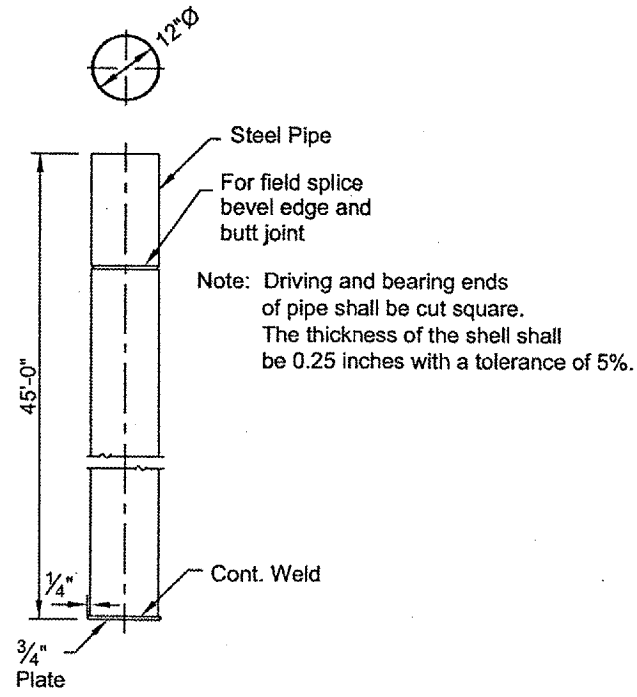
**NOTE**  
After beams are in place and dowel rods grouted, the backwall and the portions of the wingwall above the bonded construction joint shall be poured.

**BILL OF MATERIAL**

Bar	No.	Size	Length	Shape
h(E)	40	#4	5'-0"	—
h <sub>1</sub> (E)	8	#4	5'-3"	—
h <sub>2</sub> (E)	12	#4	24'-9"	—
p(E)	20	#6	24'-9"	—
s(E)	52	#4	9'-5"	□
u(E)	16	#6	11'-1"	—
v(E)	16	#4	3'-8"	—
v <sub>1</sub> (E)	16	#4	4'-8"	—
v <sub>2</sub> (E)	100	#4	4'-5"	—
Concrete Structures			Cu. Yd.	18.6
Reinforcement Bars (Epoxy Ctd.)			Pound	2,080
Metal Pile Shells 12"			Foot	405
Test Pile Metal Shells			Each	1



**DETAIL OF REINFORCEMENT FOR METAL SHELLS**



**DETAIL OF CYLINDRICAL STEEL SHELL FOR CAST IN PLACE CONCRETE PILES**

The cost of reinforcement is incidental to the Cost of Furnishing Piles.

**ABUTMENT**  
SECTION 05-12124-00-BR  
TR 87  
STATION 10+02.29