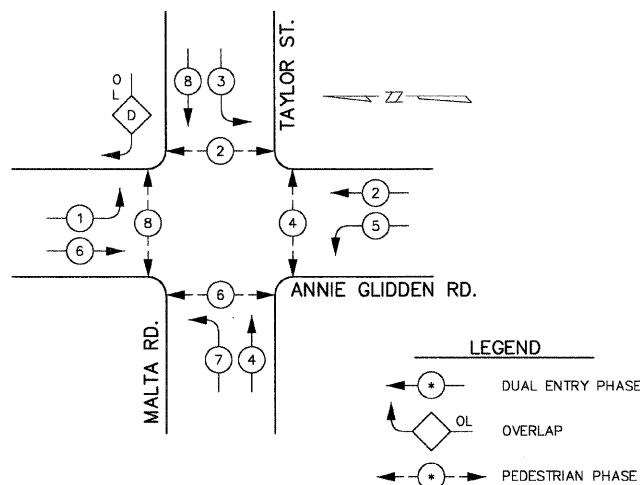
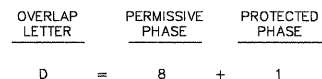


F.A.U. ROUTE	CONTRACT NO.	COUNTY	TOTAL SHEET
5348	87330	DEKALB	140
STATE SECTION	PROJECT	DEKALB	61
05-00160-00-WR	HPP-2295(001)		
PROPOSED TRAFFIC SIGNALS			
F.H.W.A. REG.5 ILLINOIS PROJECT			

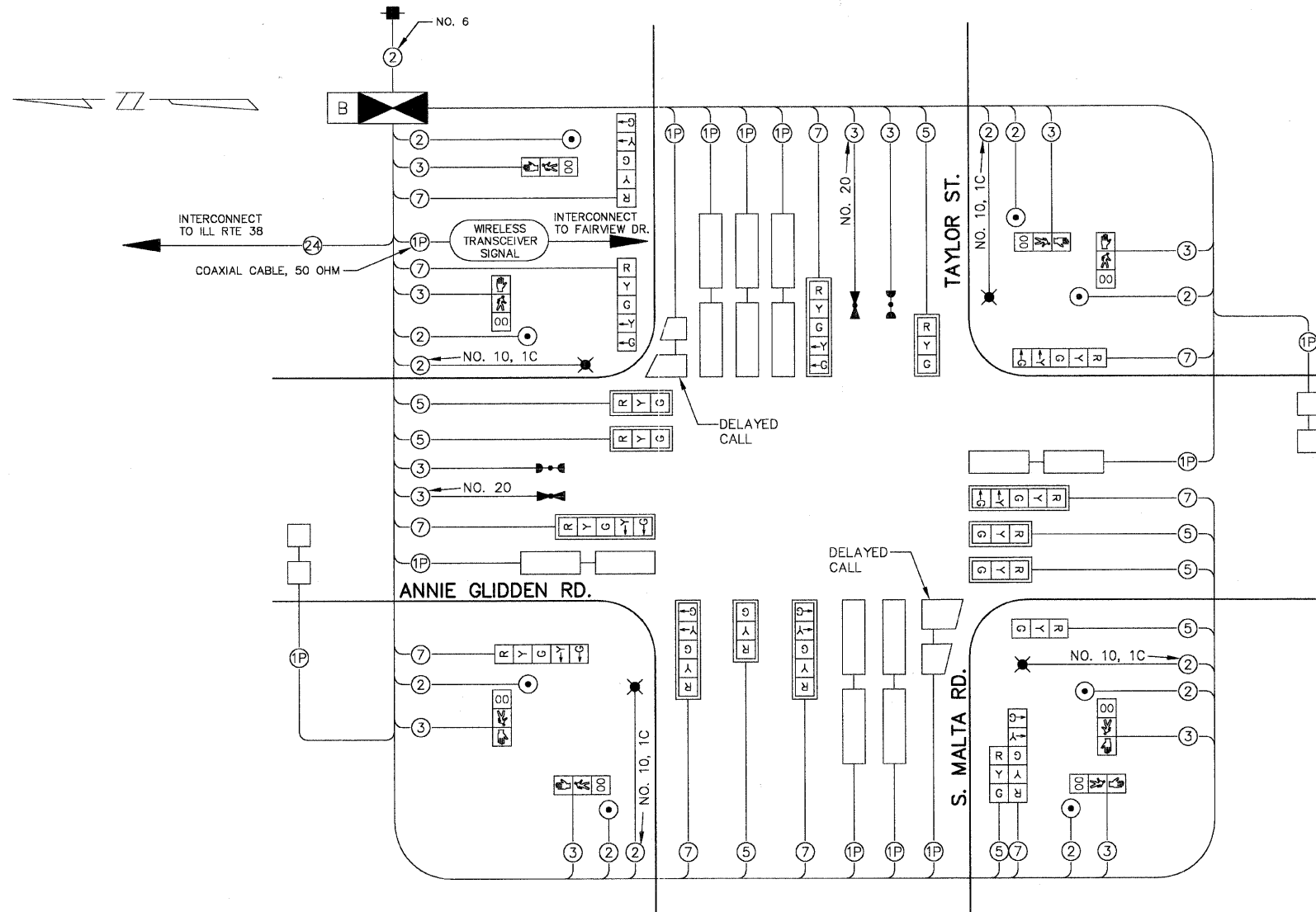
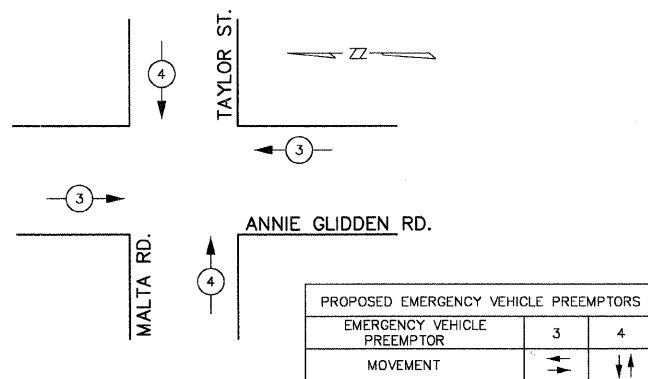
CONTROLLER SEQUENCE



PHASE DESIGNATION DIAGRAM



EMERGENCY VEHICLE PREEMPTION SEQUENCE



CABLE PLAN LEGEND

- EXISTING**
- PROPOSED**
- 8" (200mm) TRAFFIC SIGNAL SECTION
- 12" (300mm) TRAFFIC SIGNAL SECTION
- 12" (300mm) PEDESTRIAN SIGNAL SECTION
- CONTROLLER CABINET
- SERVICE INSTALLATION
- TELEPHONE CONNECTION
- MAGNETIC DETECTOR
- EMERGENCY VEHICLE LIGHT DETECTOR
- CONFIRMATION BEACON
- PUSHBUTTON DETECTOR
- VEHICLE DETECTOR, INDUCTION LOOP
- VIDEO CAMERA ASSEMBLY
- SIGNAL FACE WITH BACK PLATE, "P" INDICATES PROGRAMMED HEAD.
- RAILROAD CONTROL CABINET
- INTERCONNECT CABLE IN CONDUIT, 12 PAIR, NO. 19
- LUMINAIRE, S.V., 400W
- BATTERY BACKUP SYSTEM
- PEDESTRIAN SIGNAL HEAD, L.E.D., WITH COUNTDOWN TIMER

SCHEDULE OF QUANTITIES

CODE NO.	ITEM	UNIT	QUANTITY
72000200	SIGN PANEL - TYPE 2	SQ.FT	60
80500200	SERVICE INSTALLATION, TYPE B	EACH	1
81000600	CONDUIT IN TRENCH, 2" DIA., GALVANIZED STEEL	FOOT	563
81000700	CONDUIT IN TRENCH, 2 1/2" DIA., GALVANIZED STEEL	FOOT	138
81000800	CONDUIT IN TRENCH, 3" DIA., GALVANIZED STEEL	FOOT	83
81001000	CONDUIT IN TRENCH, 4" DIA., GALVANIZED STEEL	FOOT	127
81001100	CONDUIT IN TRENCH, 5" DIA., GALVANIZED STEEL	FOOT	18
81018500	CONDUIT PUSHED, 2" DIA., GALVANIZED STEEL	FOOT	213
81018900	CONDUIT PUSHED, 4" DIA., GALVANIZED STEEL	FOOT	390
81400100	HANDHOLE	EACH	4
81400200	HEAVY-DUTY HANDHOLE	EACH	3
81400300	DOUBLE HANDHOLE	EACH	2
81500200	TRENCH AND BACKFILL FOR ELECTRICAL WORK	FOOT	850
81702110	ELECTRIC CABLE IN CONDUIT, 600V (XLP-TYPE USE) 1/C NO. 10	FOOT	1,896
82103400	LUMINAIRE, SODIUM VAPOR, HORIZ. MOUNT, PHOTO-CELL CONTROL, 400 WATT	EACH	4
85700200	FULL-ACTUATED CONTROLLER AND TYPE IV CABINET	EACH	1
85900100	TRANSCEIVER	EACH	1
87301215	ELECTRIC CABLE IN CONDUIT, SIGNAL NO. 14 2C	FOOT	1,517
87301225	ELECTRIC CABLE IN CONDUIT, SIGNAL NO. 14 3C	FOOT	1,930
87301245	ELECTRIC CABLE IN CONDUIT, SIGNAL NO. 14 5C	FOOT	2,020
87301255	ELECTRIC CABLE IN CONDUIT, SIGNAL NO. 14 7C	FOOT	2,081
87301305	ELECTRIC CABLE IN CONDUIT, LEAD-IN, NO. 14 1 PAIR	FOOT	2,366
87301805	ELECTRIC CABLE IN CONDUIT, SERVICE, NO. 6 2 C	FOOT	113

CODE NO.	ITEM	UNIT	QUANTITY
87502440	TRAFFIC SIGNAL POST, GALVANIZED STEEL 10 FT.	EACH	1
87502500	TRAFFIC SIGNAL POST, GALVANIZED STEEL 16 FT.	EACH	4
87702940	STEEL COMBINATION MAST ARM ASSEMBLY AND POLE 42 FT.	EACH	1
87702970	STEEL COMBINATION MAST ARM ASSEMBLY AND POLE 48 FT.	EACH	1
87702985	STEEL COMBINATION MAST ARM ASSEMBLY AND POLE 52 FT.	EACH	1
87703000	STEEL COMBINATION MAST ARM ASSEMBLY AND POLE 55 FT.	EACH	1
87800100	CONCRETE FOUNDATION, TYPE A	FOOT	20
87800200	CONCRETE FOUNDATION, TYPE D	FOOT	4
87800415	CONCRETE FOUNDATION, TYPE E 36-INCH DIAMETER	FOOT	60
88200100	TRAFFIC SIGNAL BACKPLATE	EACH	11
88500100	INDUCTIVE LOOP DETECTOR	EACH	11
88600100	DETECTOR LOOP, TYPE I	FOOT	1,255
88800100	PEDESTRIAN PUSH-BUTTON	EACH	8
89000100	TEMPORARY TRAFFIC SIGNAL INSTALLATION	EACH	1
89501400	RELOCATE EXISTING EMERGENCY VEHICLE PRIORITY SYSTEM, DETECTOR UNIT	EACH	2
89501410	RELOCATE EXISTING EMERGENCY VEHICLE PRIORITY SYSTEM, PHASING UNIT	EACH	1
89502375	REMOVE EXISTING TRAFFIC SIGNAL EQUIPMENT	EACH	1
89502380	REMOVE EXISTING HANDHOLE	EACH	4
89502385	REMOVE EXISTING CONCRETE FOUNDATION	EACH	8
X0323885	TRAFFIC SIGNAL BATTERY BACKUP SYSTEM	EACH	1
X8730250	ELECTRIC CABLE IN CONDUIT NO. 20 3/C, TWISTED, SHIELDED	FOOT	365
X8801300	SIGNAL HEAD, POLYCARBONATE, L.E.D., 1-FACE, 3-SECTION, BM	EACH	1
X8801310	SIGNAL HEAD, POLYCARBONATE, L.E.D., 1-FACE, 3-SECTION, MAM	EACH	6
X8801395	SIGNAL HEAD, POLYCARBONATE, L.E.D., 1-FACE, 5-SECTION, BM	EACH	4
X8801400	SIGNAL HEAD, POLYCARBONATE, L.E.D., 1-FACE, 5-SECTION, MAM	EACH	5
X8801437	SIGNAL HEAD, POLYCARBONATE, L.E.D., 2-FACE, 1-3-SECTION, 1-5-SECTION, BM	EACH	1
XX004679	PEDESTRIAN SIGNAL HEAD, L.E.D., 1-FACE, BM WITH COUNTDOWN TIMER	EACH	8
	DECORATIVE BASE FOR COMBINATION MAST ARM ASSEMBLY AND POLE	EACH	4

FOUNDATION (DEPTH)	FT. (m)	CABLE SLACK	FT. (m)	VERTICAL CABLE	FT. (m)
TYPE A - POST	4 (1.2)	HANDHOLE	6.5 (2.0)	ALL FOUNDATIONS	3.5 (1.0)
D - D-CONTROLLER	4 (1.2)	DOUBLE HANDHOLE	13 (4.0)	MAST ARM (L) POLE	20'+L-2'
E - M. ARM POLE		SIGNAL POST	2 (1.0)		(6m+L-0.6m)=
< 30' MA 30" DIA	10' (3.0)	CONTROLLER CAB.	1 (0.5)	BRACKET MOUNTED	13 (4.0)
< 40' MA 30" DIA	13.5' (4.1)	FIBER OPTIC	13 (4.0)	PED. PUSHBUTTON	4 (1.2)
< 40' MA 36" DIA	11' (3.4)	ELECTRIC SERVICE	1 (0.5)	ELECTRIC SERVICE	13.5 (4.1)
> 50' MA 36" DIA	13' (4.0)	GROUND CABLE	1 (0.5)	SERVICE TO GROUND	13.5 (4.1)
> 50' MA 36" DIA	15' (4.6)			POST MOUNTED	6(1.8)

TRAFFIC SIGNAL INSTALLATION ELECTRICAL SERVICE REQUIREMENTS				TOTAL WATTAGE	
TYPE	NO. LAMPS	x WATTAGE			
		INCAND.	LED	% OPERATION	
SIGNAL (RED)	16		17	0.50	136.0
(YELLOW)	16		25	0.25	100.0
(GREEN)	16		15	0.25	60.0
ARROW	20		12	0.10	24.0
PED. SIGNAL	8		25	1.00	200.0
CONTROLLER	1		100	1.00	100.0
LUMINAIRE	4	400		0.50	800.0

ENERGY COSTS TO: TOTAL = 1420.0

CITY OF DEKALB
 223 S. FOURTH ST.
 DEKALB, IL 60115

ENERGY SUPPLY CONTACT: JUDY ROSS
 PHONE: (815) 490-2279
 COMPANY: COM-ED (ROCKFORD)

THE TRAFFIC SIGNAL CONTROL EQUIPMENT FOR THIS PROJECT SHALL BE "MULTISONICS" TO MATCH THE EXISTING SYSTEM.

DIVISION OF TRANSPORTATION
CABLE PLAN
 PHASE DESIGNATION DIAGRAM
 SCHEDULE OF QUANTITIES

ANNIE GLIDDEN ROAD
AT TAYLOR ST. / S. MALTA RD.

SCALE: NO SCALE DRAWN BY: AC
 DATE: SEPTEMBER 10, 2005 CHECKED BY: JRL

NAME	DATE
REVISIONS	