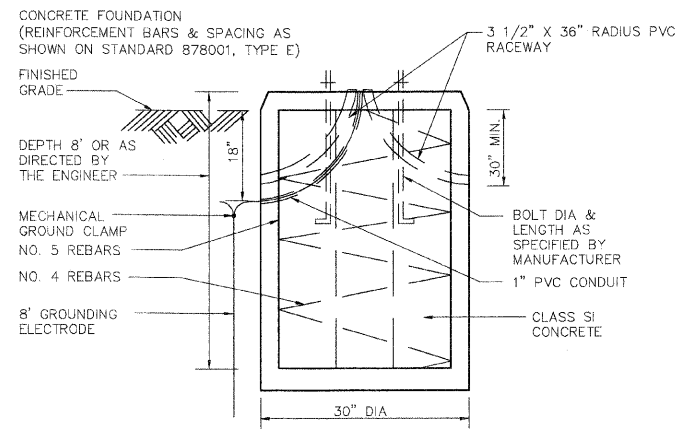
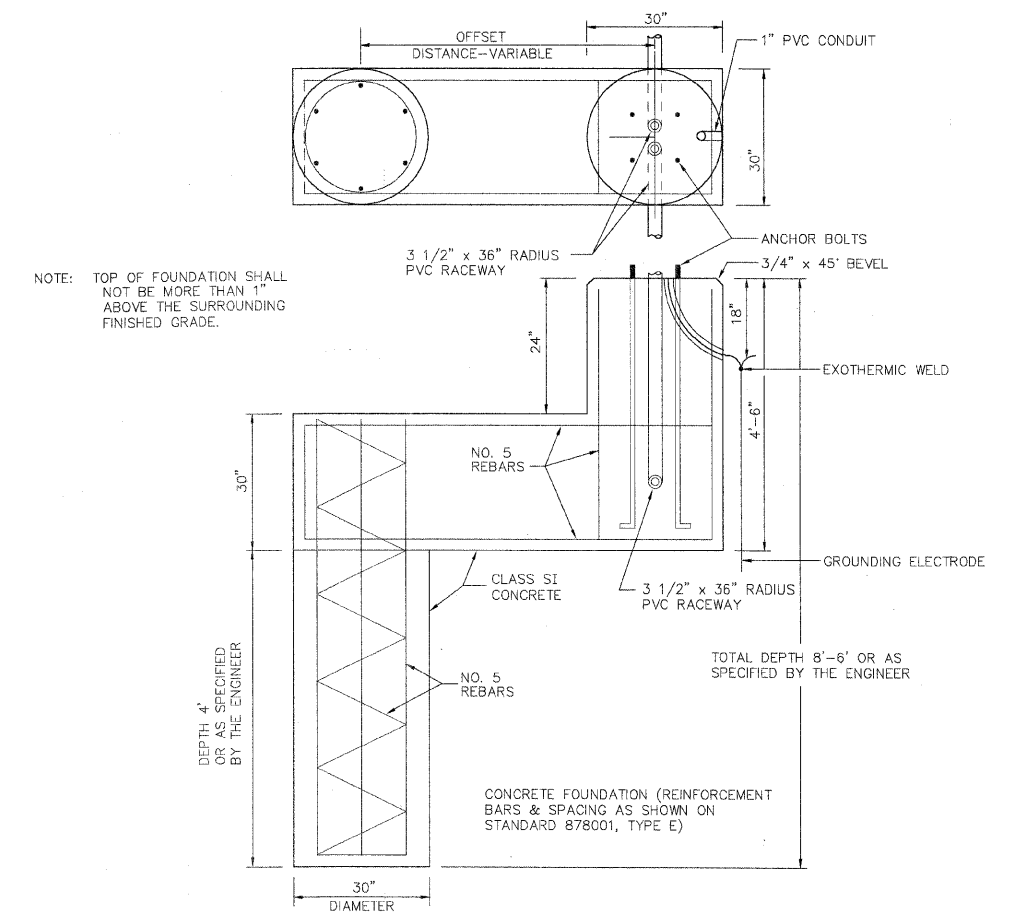


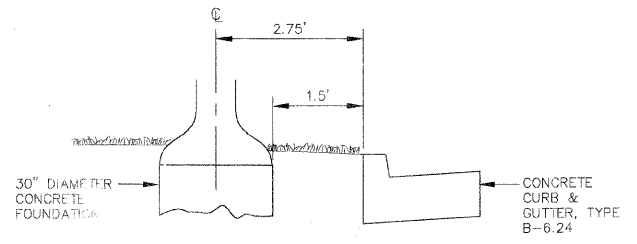
F.A.U. ROUTE	Contract 87330	COUNTY	TOTAL SHEETS
5348	CONTRACT NO. 05-00160-00-WR	DEKALB	140 69
STREET LIGHTING DETAILS		PROJECT HPP-2295(001)	



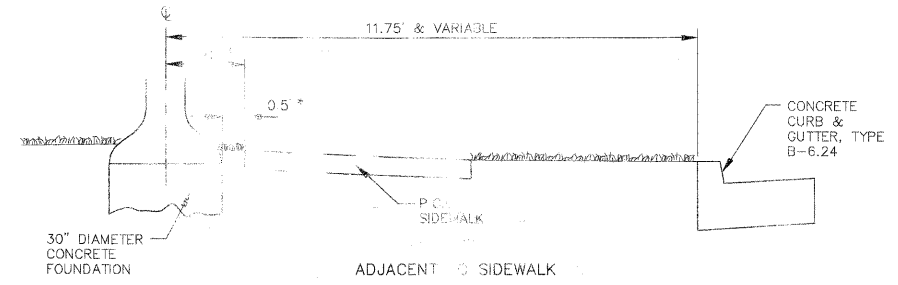
LIGHTING POLE FOUNDATION 30" DIAMETER



LIGHTING POLE FOUNDATION, 30" DIAMETER, OFFSET



ADJACENT TO CURB AND GUTTER



ADJACENT TO SIDEWALK

TYPICAL POLE LOCATION UNLESS NOTED OTHERWISE ON PLAN

POLE LOCATION DETAILS

DIVISION OF TRANSPORTATION	
STREET LIGHTING DETAILS	
ANNIE GLIDDEN RD	
NAME	DATE
REVISIONS	
SCALE: NONE	DRAWN BY: JMH
DATE: 6-15-05	CHECKED BY: DAY