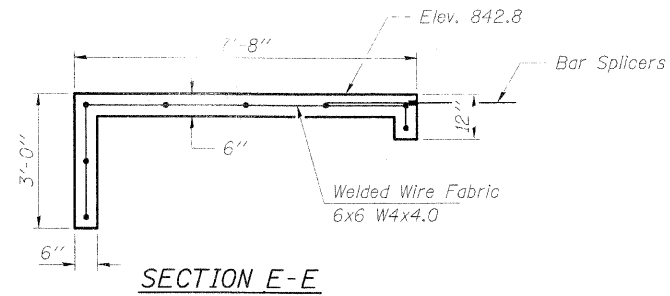


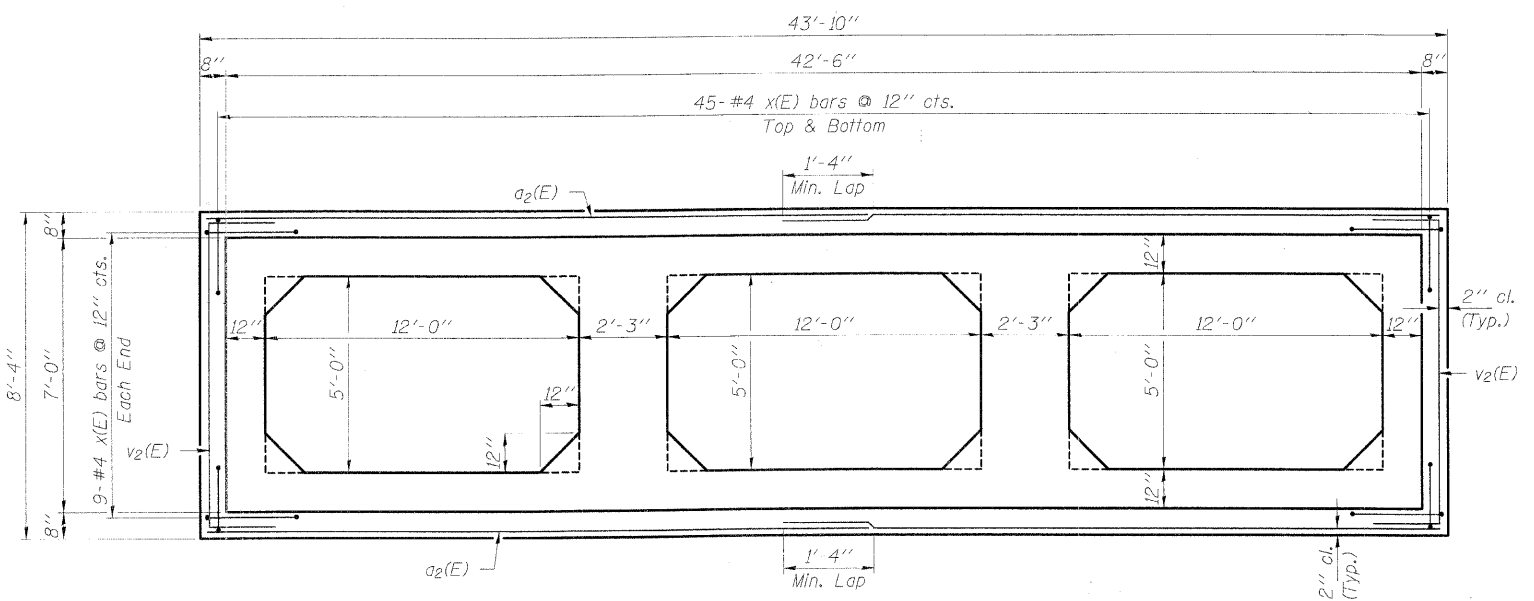
PLAN
Showing Reinforcement
Typical both ends



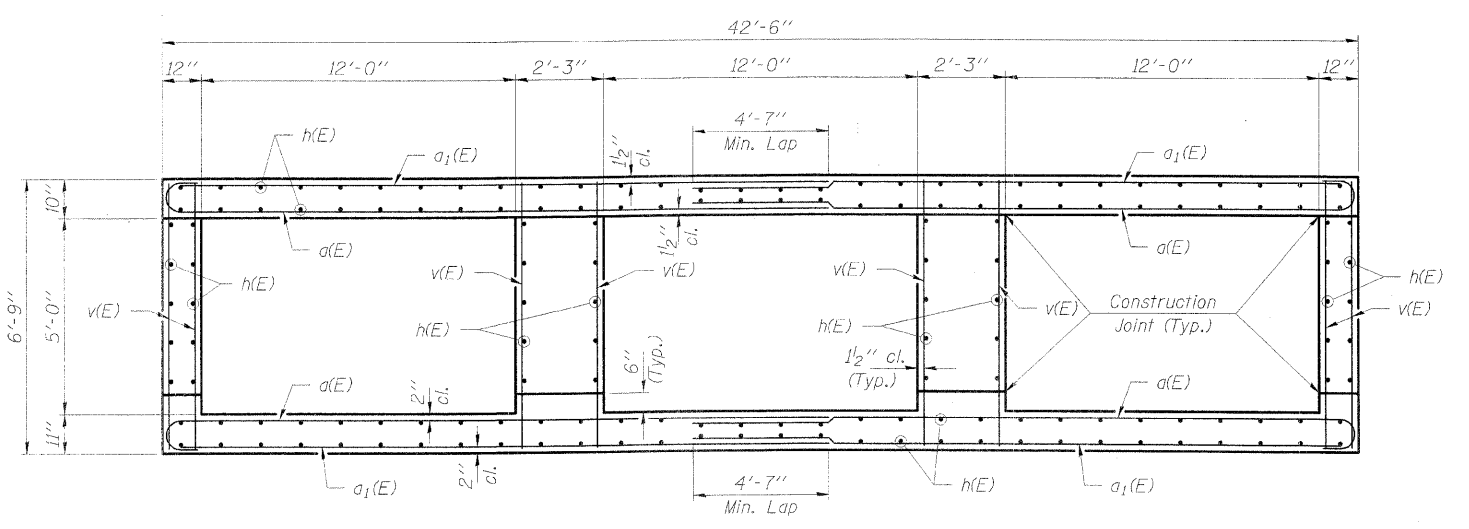
SECTION E-E

MIN. BAR LAPS

#4 bars	1'-4"
#6 bars	2'-6"
#8 bars	3'-8"
#9 bars	4'-7"



SECTION A-A



SECTION B-B

Not to Scale.
See sheet 4 of 9 for Sections C-C & D-D.

HLR
Rice, Berry and Associates
A Division of Hampton,
Lenz'n and Renwick, Inc.
Civil & Structural Engineers
3085 Stevenson Drive
Suite 201
Springfield, Illinois 62703
217-546-3400
Account Number
03-03-0167-x
Date: 12/29/05
DESIGNED: S.M.S. CHECKED: S.W.J. DRAWING: D.B.

PRECAST CULVERT DETAILS
F.A.U. ROUTE 5348 / ANNIE GLIDDEN ROAD
SECTION 05-00160-00-WR
CITY OF DEKALB
STATION 97+50