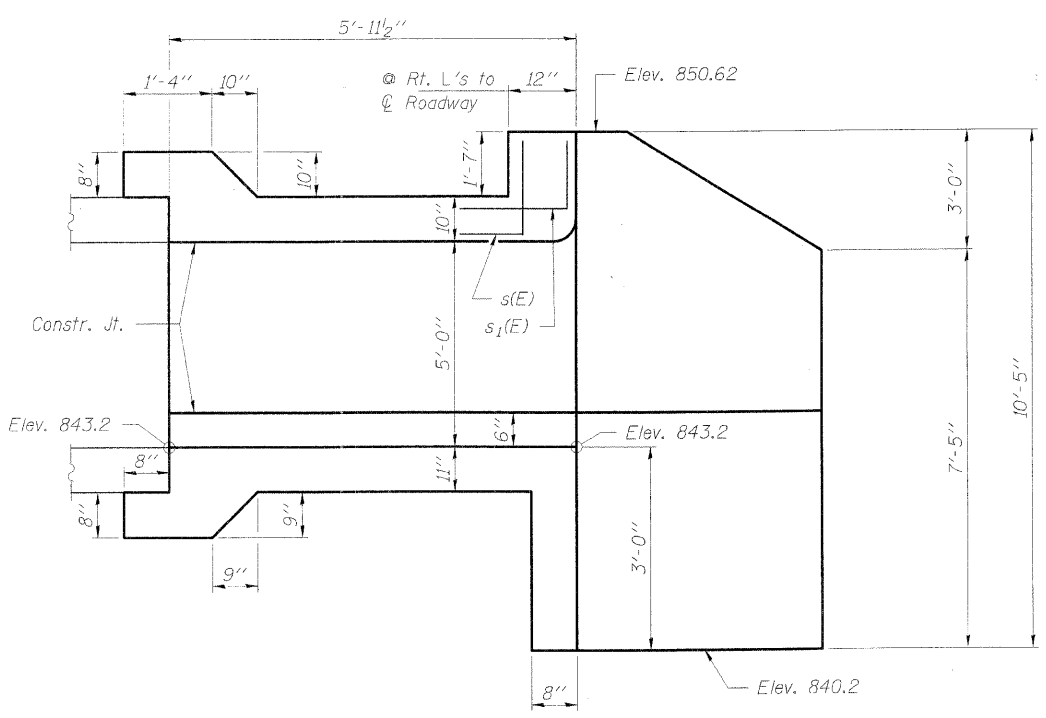
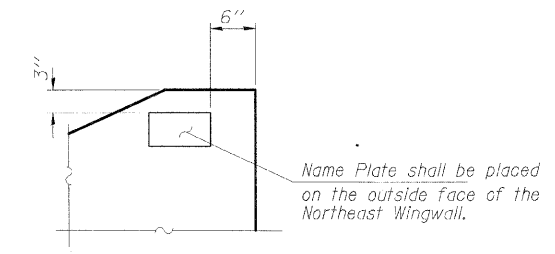


**EAST SIDE LONG. SECTION**  
Downstream End



**WEST SIDE LONG. SECTION**  
Upstream End

Note: Dimensions & Reinforcement Typ. Ea. End, except as shown. Flowline elevations are given at  $\odot$  culvert.  
Sections shown parallel with  $\odot$  culverts.  
Not To Scale.

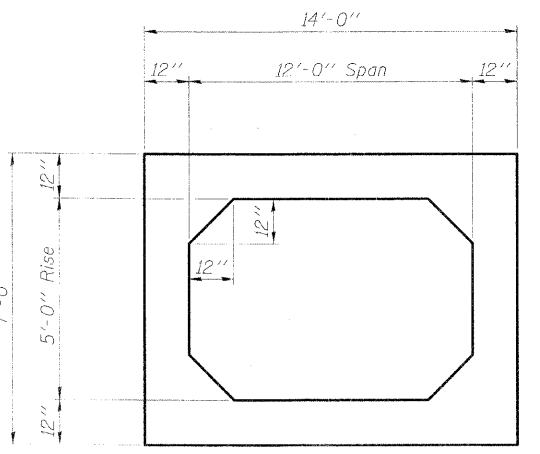


**NAME PLATE LOCATION**  
Northeast Wingwall

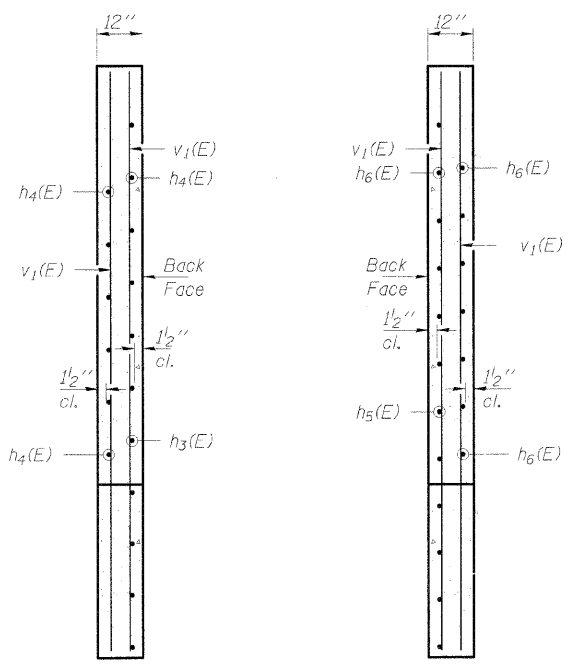
**BILL OF MATERIAL**

Bar	No.	Size	Length	Shape	
a1(E)	104	#8	26'-0"	C	
a2(E)	104	#9	25'-9"	—	
a2(E)	24	#4	24'-6"	—	
d(E)	82	#4	4'-5"	L	
h(E)	252	#6	5'-8"	—	
h1(E)	36	#6	22'-0"	—	
h3(E)	18	#8	15'-6"	—	
h4(E)	18	#8	8'-0"	—	
h5(E)	20	#5	11'-6"	—	
h6(E)	20	#5	8'-0"	—	
s(E)	47	#5	5'-1"	L	
s1(E)	47	#5	4'-7"	L	
s2(E)	47	#5	4'-8"	L	
s3(E)	47	#5	4'-2"	L	
v(E)	144	#4	6'-5"	—	
v1(E)	16	#4	9'-8"	—	
v2(E)	12	#4	10'-8"	—	
x(E)	216	#4	5'-2"	—	
Precast Concrete Box Culvert, 12' x 5'				Foot	306
Concrete Box Culverts				Cu. Yd.	72.0
Reinf. Bars, Epoxy Coated				Pound	24,290
Name Plates				Each	1
Porous Granular Embankment				Ton	880
Granular Embankment, Special				Ton	1,870
Temporary Sheet Piling				Sq. Ft.	2,600
Slopedwall, 6"				Sq. Yd.	44
Bar Splacers				Each	30

All reinforcement bars designated (E) shall be epoxy coated.

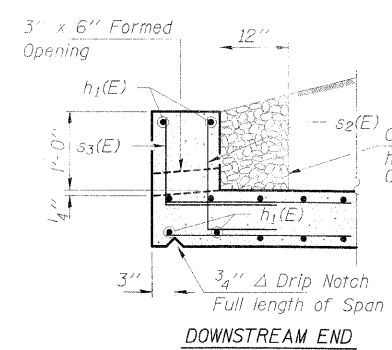


**SECTION THRU PRECAST BOX**

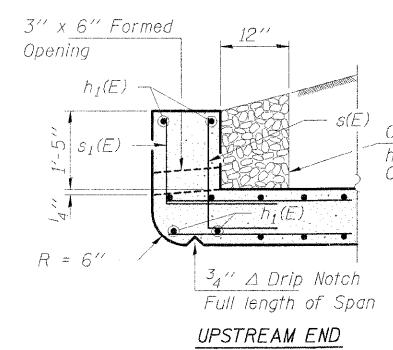


**SECTION C-C**  
(Long Wings)

**SECTION D-D**  
(Short Wings)



**SECTION THRU HEADWALLS**  
Not To Scale



**UPSTREAM END**

**HLR**  
Rice, Berry and Associates  
A Division of Hampton, Lenzini and Renwick, Inc.  
Civil & Structural Engineers  
3085 Stevenson Drive  
Suite 201  
Springfield, Illinois 62703  
217-546-3400  
Account Number 03-03-0167-x  
Date: 12/29/05  
DESIGNED: S.M.S. CHECKED: S.W.M. DRAWN: D.B.

**PRECAST CULVERT DETAILS**  
F.A.U. ROUTE 5348 / ANNIE GLIDDEN ROAD  
SECTION 05-00160-00-WR  
CITY OF DEKALB  
STATION 97+50