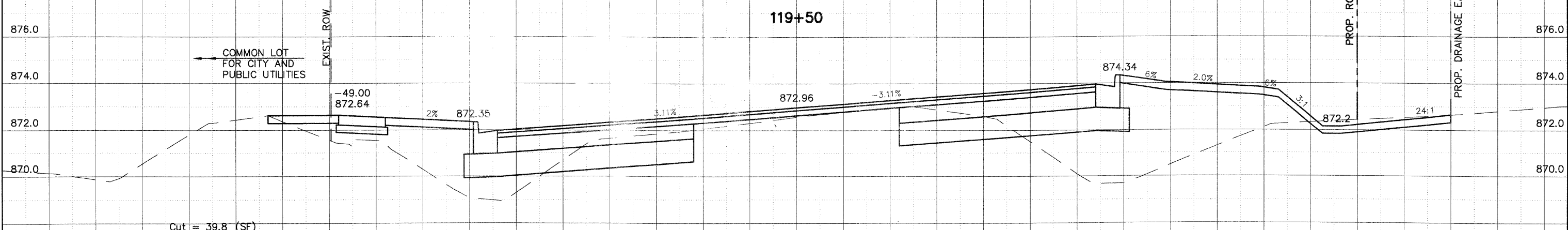
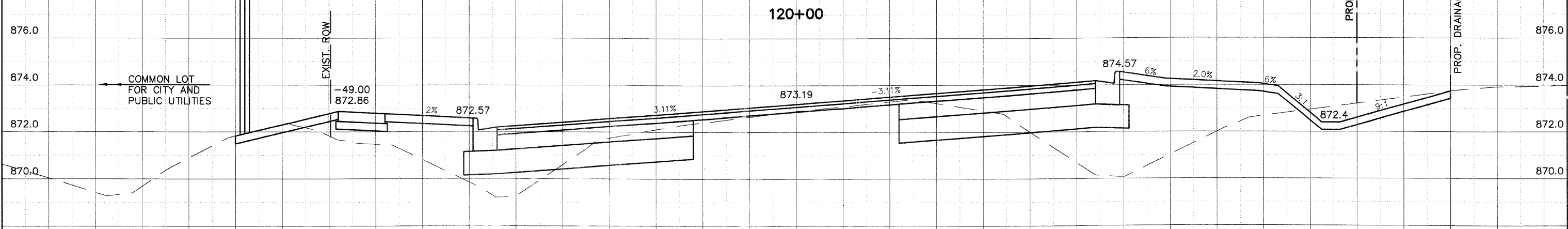
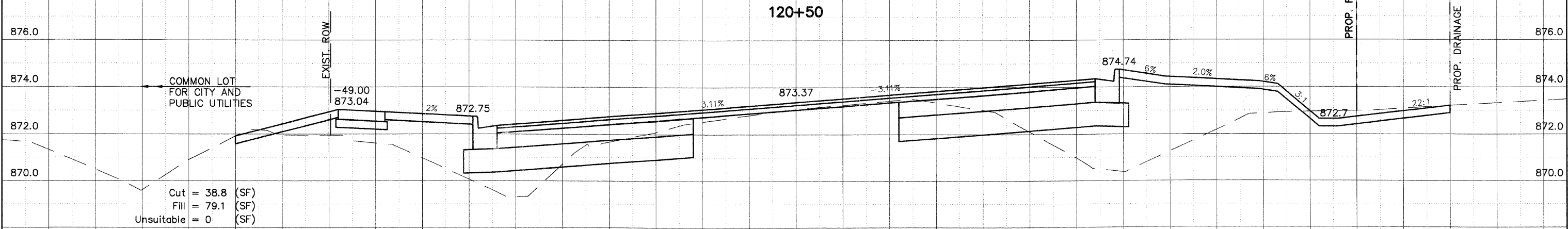


F.A.U. ROUTE	CONTRACT NO.	COUNTY	TOTAL SHEETS
5348	87330	DEKALB	140
STATE SECTION			126
05-00160-00-WR			
CROSS SECTION STA. 119+50 TO STA. 120+50			
F.H.W.A. REG 5 ILLINOIS PROJECT HPP-2295(001)			



ANNIE GLIDDEN ROAD

SCALE:
1" = 5' HORIZ.
1" = 2' VERT.