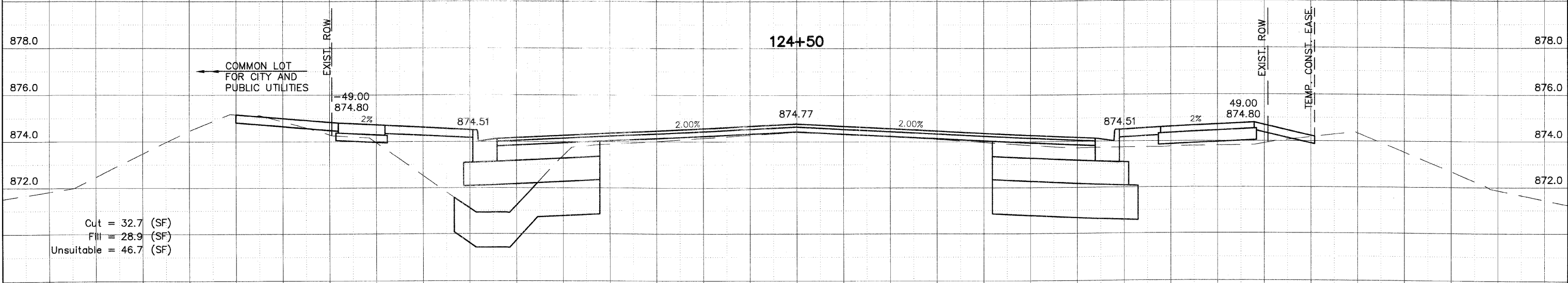
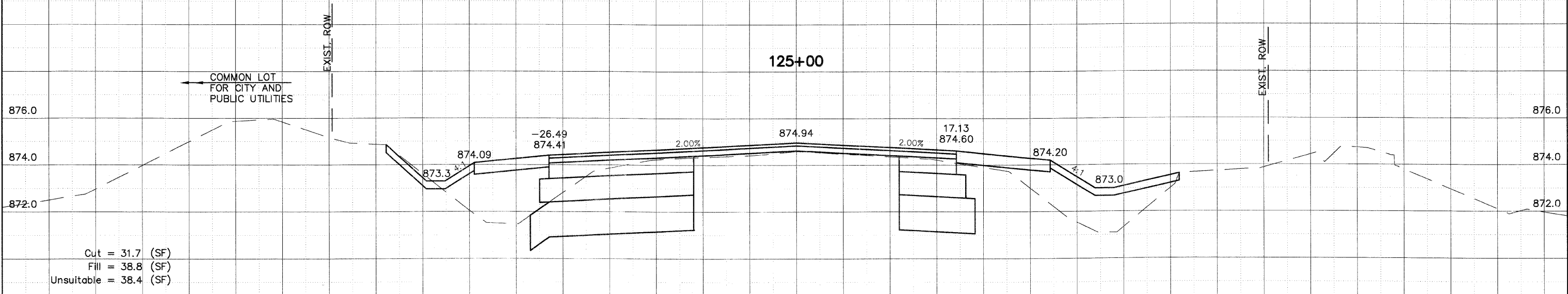
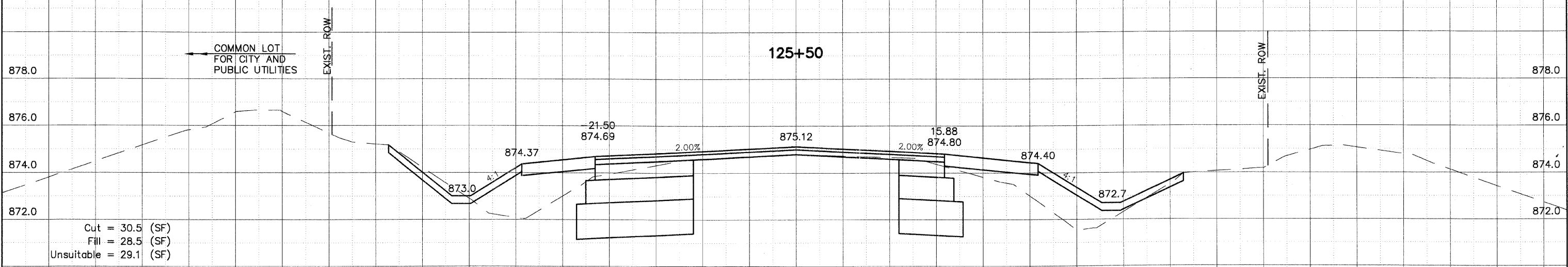


F.A.U. ROUTE	CONTRACT NO.	COUNTY	TOTAL SHEET
5348	87330	DEKALB	140
STATE SECTION	05-00180-00-WR		130
CROSS SECTION STA. 124+50 TO STA. 125+50			
F.H.W.A. REG 5 ILLINOIS PROJECT HPP-2295(001)			



ANNIE GLIDDEN ROAD

SCALE:  
1" = 5' HORIZ.  
1" = 2' VERT.