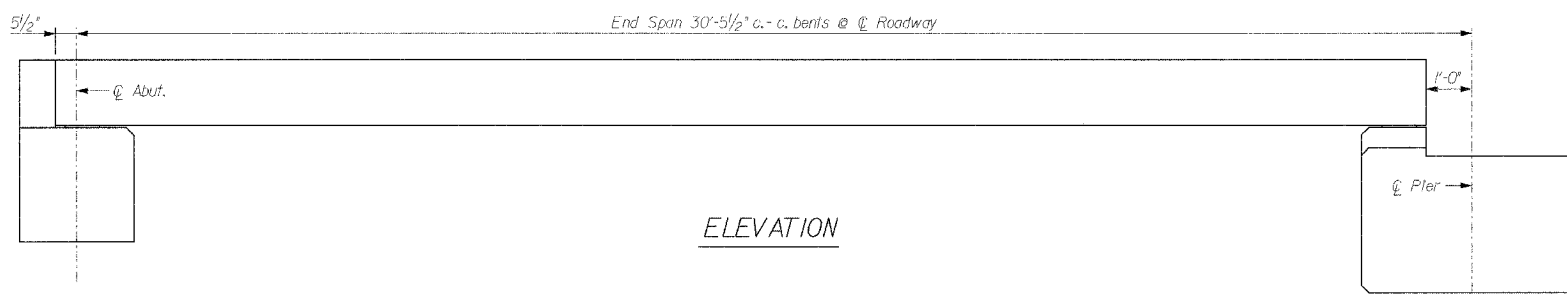
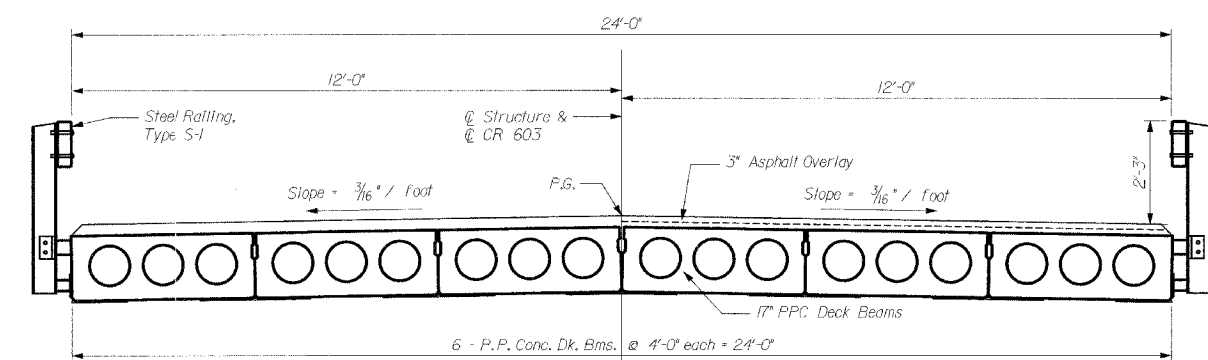


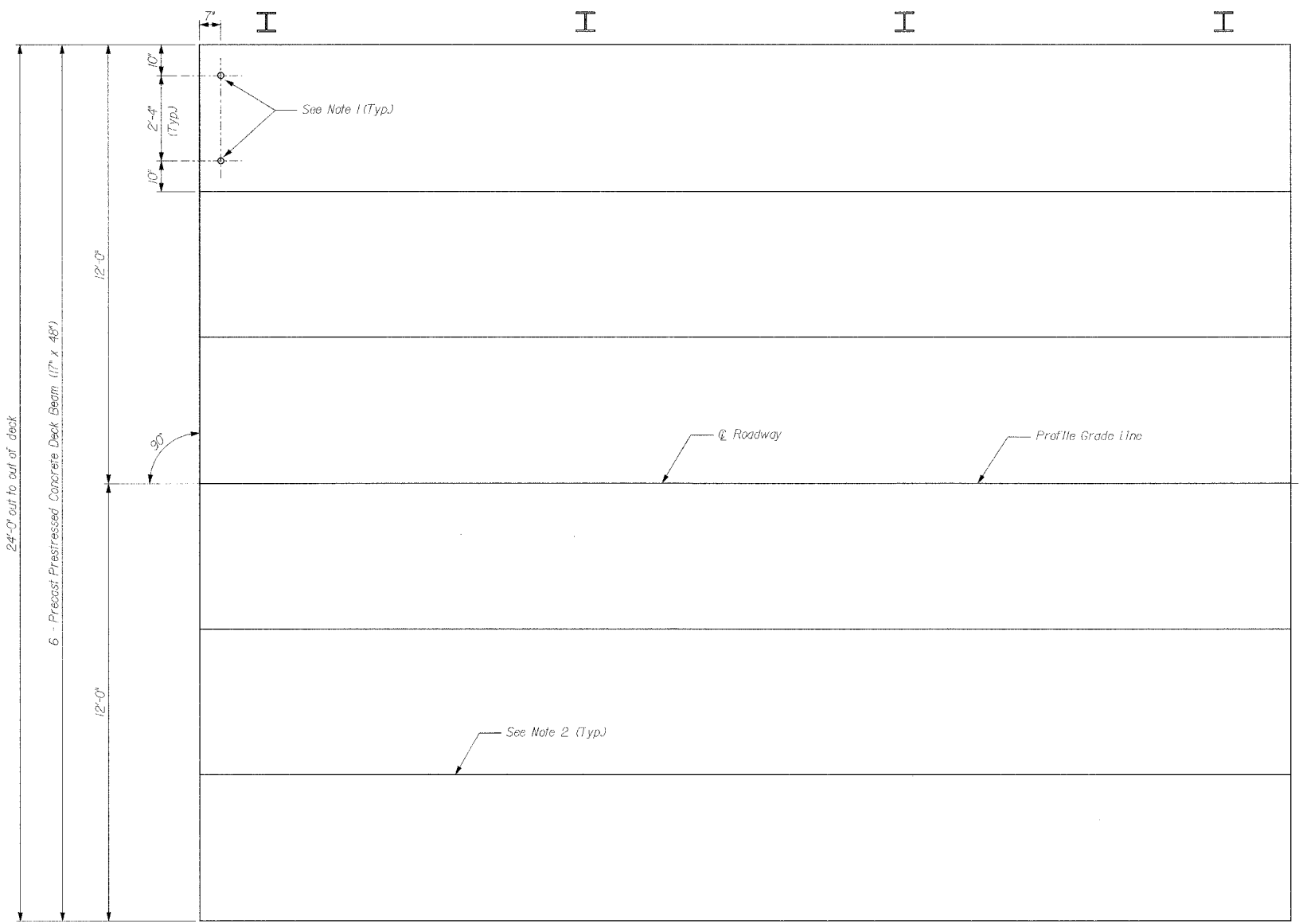
RTE.	SECTION	COUNTY	TOTAL SHEETS	SHEET NO.
CR 603	02-23118-00-BR	ADAMS	13	8
STA. 4+70.00		TO STA. 10+16.18		
FED. ROAD DIST. NO. 6	ILLINOIS	FED. AID PROJECT		



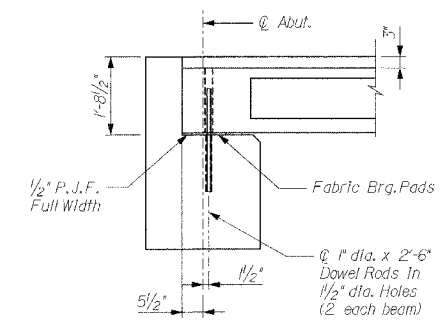
ELEVATION



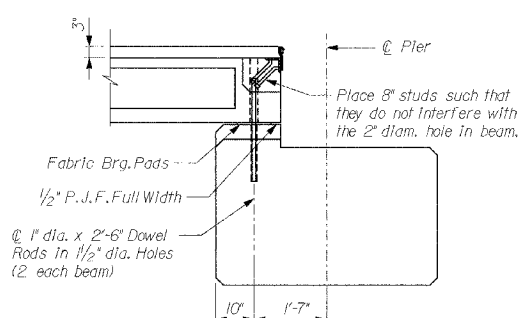
CROSS SECTION



PLAN



SECTION AT ABUTS.
(Along \bar{C} Beams)



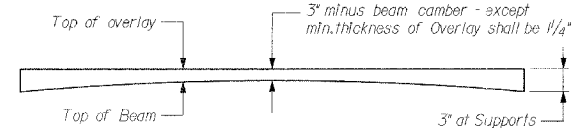
SECTION AT PIERS
(Along \bar{C} Beams)

BILL OF MATERIAL
FOR ONE SPAN

Bituminous Concrete Surface Course, Superpave, Mix "C", NS0	Ton	14
P.P.C. Deck Beam 17" Deep	Sq. Ft.	720
Steel Railing, Type S-1	Foot	60
Waterproofing Membrane System	Sq. Yd.	80.0
Portland Cement Mortar Fairing Course	Foot	150

NOTES

- After beams have been erected, holes shall be drilled into substructure and anchor dowels placed. Dowel holes shall be filled with non-shrink grout to top of beam and allowed to cure min. 24 hours prior to grouting the shear keys.
- Longitudinal keys shall be grouted.



PROFILE OF OVERLAY

REVISIONS	
NAME	DATE

PPC DECK BEAM SUPERSTRUCTURE

CR 603E OVER
BEAR CREEK
SEC 02-23118-00-BR
ADAMS COUNTY
STA 6+87.26
STRUCTURE NUMBER 001-3417
SCALE: VERT. N/A
 HORIZ. N/A
DATE: MAY 2006
DRAWN BY JLS
CHECKED BY DSP

PSBA Project No.: R-03-013