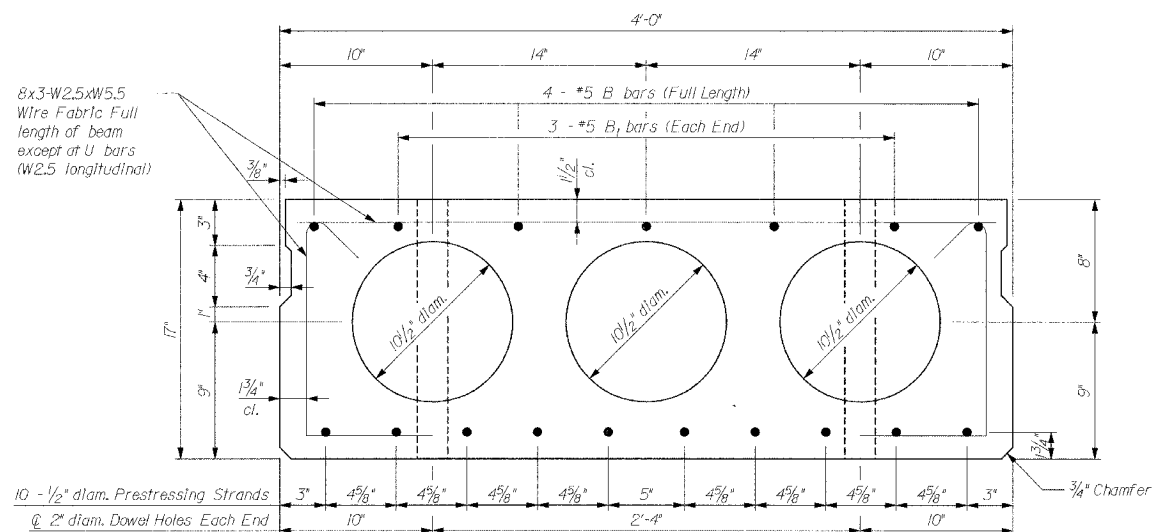


STATE OF ILLINOIS  
DEPARTMENT OF TRANSPORTATION

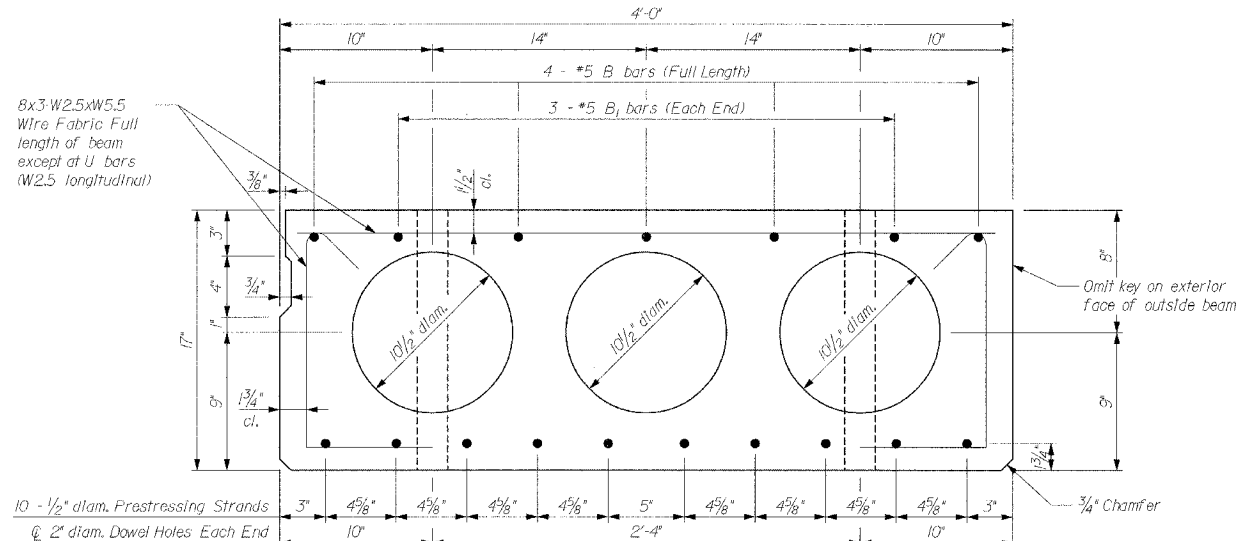
RTE.	SECTION	COUNTY	TOTAL SHEETS	SHEET NO.
CR 603	02-23118-00-BR	ADAMS	13	9
STA. 4+70.00		TO STA. 10+16.18		
FED. ROAD DIST. NO. 6		ILLINOIS FED. AID PROJECT		

BRIDGE PLANS SHEET 4 OF 8



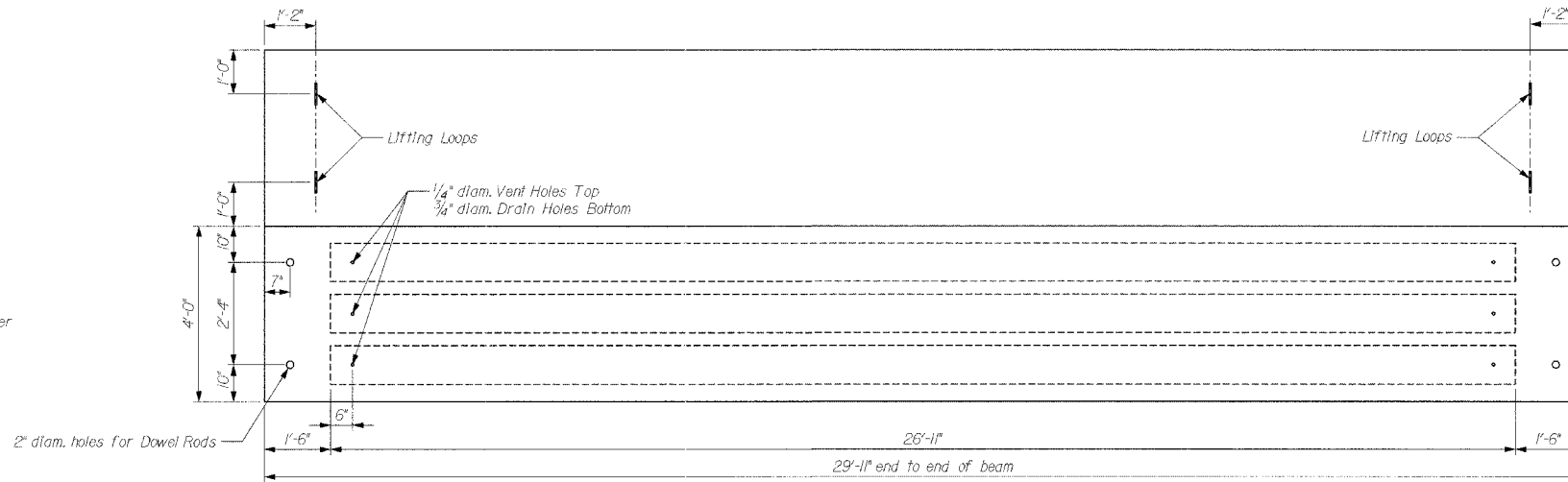
TYPICAL SECTION THRU INTERIOR BEAM

1/2" diam. strands. Each strand stressed to 28,900 lbs.  
10 strands 1 3/4" up

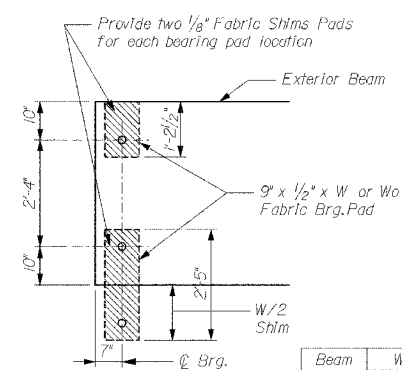


TYPICAL SECTION THRU EXTERIOR BEAM

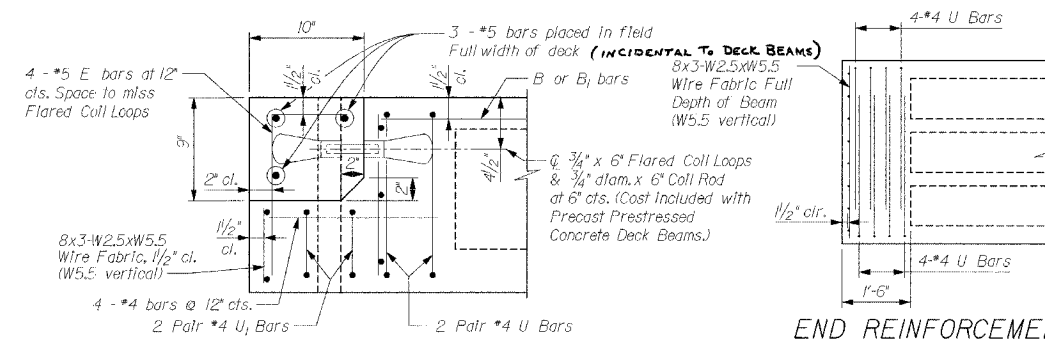
1/2" diam. strands. Each strand stressed to 28,900 lbs.  
10 strands 1 3/4" up



PLAN



1/2" FABRIC BRG. PAD DETAILS



EXPANSION AND ARMOR ANGLE DETAILS

At Truss Ends (Pier Ends) only

BILL OF MATERIAL - PER BEAM

Bar	No.	Size	Length	Shape
B	4	#5	28'-10"	
B <sub>1</sub>	6	#5	6'-0"	
E	4	#5	1'-8"	
U	12	#5	7'-4"	
U <sub>1</sub>	4	#5	6'-7"	
Precast Prestressed Concrete Deck Beams			Sq. Ft.	720

END REINFORCEMENT

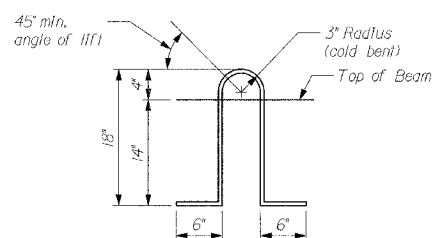
At Abutment End of Beam

END REINFORCEMENT

At Pier End of Beam

NOTES

- Prestressing steel shall be uncoated high strength, low relaxation 7-wire strand, Grade 270.
- The nominal diameter shall be 1/2" and the nominal cross-sectional area shall be 0.153 square inches.
- Reinforcement bars shall conform to the requirements of AASHTO M-31 or M-322, Grade 60.
- Rail Post anchor devices shall be cast into outside beam as elsewhere specified.
- Longitudinal keys shall be grouted.
- When a Waterproofing Membrane System is specified, the top surface of the beams shall be screeded with a straightedge and finished with a hand float. The finished surface shall be free of depressions or high spots with sharp corners and the top edge of keys shall be rounded or chamfered a minimum of 1/4".
- Keyway surfaces shall be cleaned to remove form oil or other bond breaking material prior to shipment of the beams. Cleaning shall be done by sandblasting the keyway areas between the top of the beam and the bottom edge of the key.
- The bearing seat surfaces shall be adjusted by shimming to assure firm and even bearing. Two 1/8" fabric adjusting shims of the dimensions of the Exterior Bearing Pad shall be provided for each bearing.
- A CORROSION INHIBITOR, AS COVERED IN THE SPECIAL PROVISIONS, SHALL BE UTILIZED IN THE PC CONCRETE FOR DECK BEAMS.

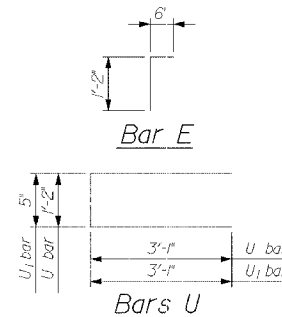


LIFTING LOOP DETAIL

Lifting loops shall be 2. 1/2" diam. 270 ksi strands as shown. Alternate approved lifting devices are also acceptable.

DESIGN STRESSES

- f'c = 5,000 psi
- f'cl = 4,000 psi
- f's = 270,000 psi (1/2" diam. strand)
- fsl = 201,960 psi (1/2" diam. strand)
- fy = 60,000 psi



REVISIONS	
NAME	DATE

SUPERSTRUCTURE DETAILS

CR 603E OVER  
BEAR CREEK  
SEC 02-23118-00-BR  
ADAMS COUNTY  
STA 6+87.26  
STRUCTURE NUMBER 001-3417

SCALE: VERT. N/A  
HORIZ. N/A  
DATE: MAY 2006

DRAWN BY JLS  
CHECKED BY DSP