

STATE OF ILLINOIS
DEPARTMENT OF TRANSPORTATION

1. Space reinforcement in cap to miss anchor bolts.
2. All exposed edges shall have standard 2" chamfer except as noted.
3. Clear distance from edge of concrete to reinforcement shall be 2".
4. All reinforcement designated (E) shall be epoxy coated.
5. 5" minimum encasement on either side of steel piling.

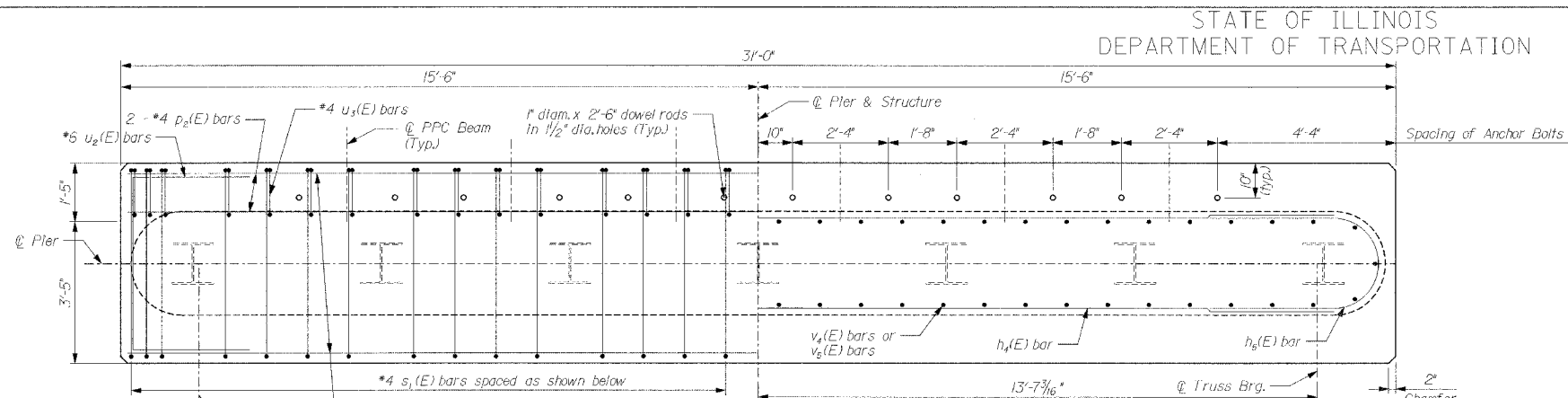
| RTE. | SECTION | COUNTY | TOTAL SHEETS | SHEET NO. |
|-----------------------|----------------|---------------------------|--------------|-----------|
| CR 603 | 02-23118-00-BR | ADAMS | 13 | 12 |
| STA. 4+70.00 | | TO STA. 10+16.18 | | |
| FED. ROAD DIST. NO. 6 | | ILLINOIS FED. AID PROJECT | | |

BRIDGE PLANS SHEET 7 OF 8
BILL OF MATERIAL - PIER 1

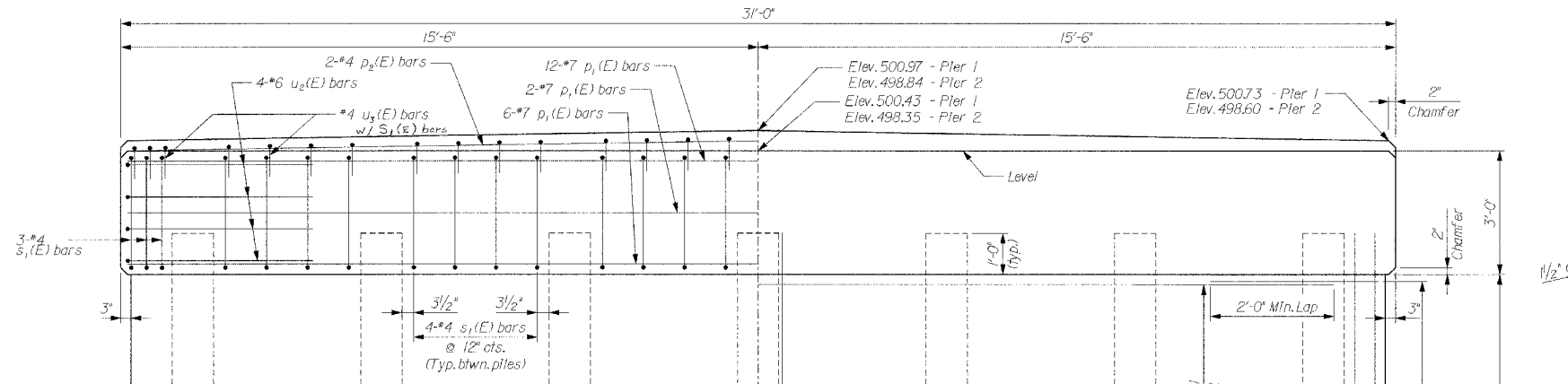
| Bar | No. | Size | Length | Shape |
|----------------------------------|-----|--------|--------|-------|
| $h_4(E)$ | 46 | *4 | 28'-0" | |
| $h_5(E)$ | 46 | *4 | 9'-5" | |
| $p_1(E)$ | 20 | *7 | 30'-8" | |
| $p_2(E)$ | 2 | *4 | 30'-8" | |
| $s_1(E)$ | 30 | *4 | 15'-1" | |
| $u_2(E)$ | 8 | *6 | 13'-5" | |
| $u_3(E)$ | 30 | *4 | 3'-5" | |
| $v_4(E)$ | 62 | *4 | 23'-0" | |
| Concrete Structures | | Cu.Yd. | 77.9 | |
| Reinforcement Bars, Epoxy Coated | | Pound | 3930 | |
| Piles HPI2x53 | | Foot | 420 | |
| Test Pile HPI2x53 | | Each | 1 | |
| Concrete Encasement | | Cu.Yd. | 2.4 | |

BILL OF MATERIAL - PIER 2

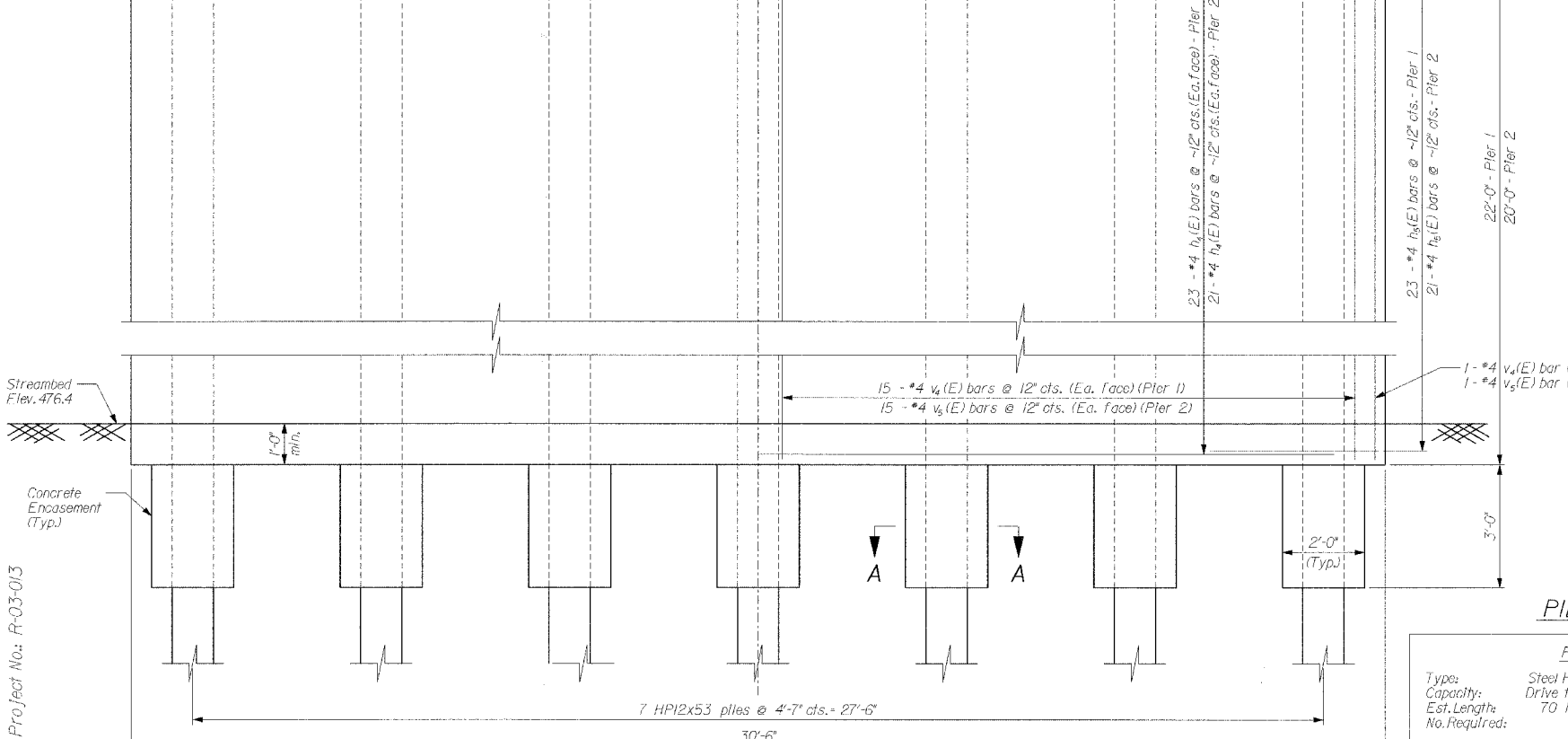
| Bar | No. | Size | Length | Shape |
|----------------------------------|-----|--------|--------|-------|
| $h_4(E)$ | 42 | *4 | 28'-0" | |
| $h_5(E)$ | 42 | *4 | 9'-5" | |
| $p_1(E)$ | 20 | *7 | 30'-8" | |
| $p_2(E)$ | 2 | *4 | 30'-8" | |
| $s_1(E)$ | 30 | *4 | 15'-1" | |
| $u_2(E)$ | 8 | *6 | 13'-5" | |
| $u_3(E)$ | 30 | *4 | 3'-5" | |
| $v_3(E)$ | 62 | *4 | 21'-0" | |
| Concrete Structures | | Cu.Yd. | 72.3 | |
| Reinforcement Bars, Epoxy Coated | | Pound | 3750 | |
| Piles HPI2x53 | | Foot | 490 | |
| Concrete Encasement | | Cu.Yd. | 2.4 | |



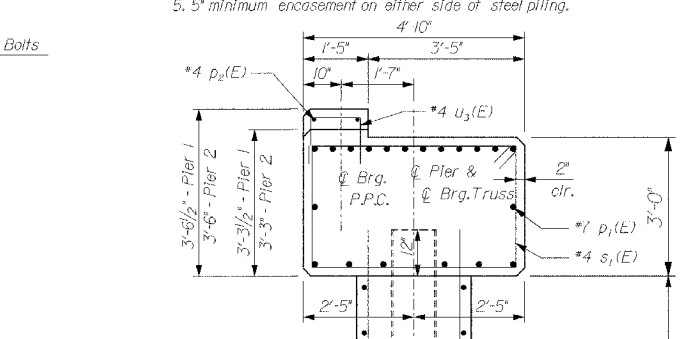
PIER CAP PLAN
Symmetrical about ϕ Structure



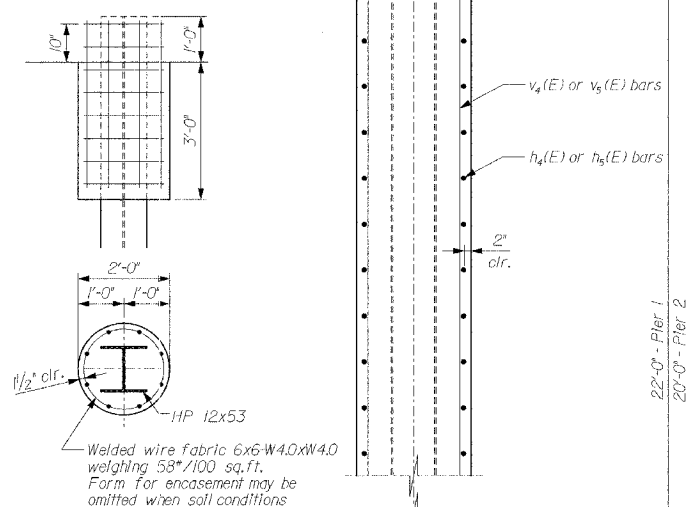
PIER ELEVATION
Symmetrical about ϕ Structure



PSBA Project No.: R-03-013



SECTION A-A



PIER END ELEVATION

PILE DATA

| | Pier 1 | Pier 2 |
|---------------|------------------|------------------|
| Type: | Steel HP 12x53 | Steel HP 12x53 |
| Capacity: | Drive to Refusal | Drive to Refusal |
| Est. Length: | 70 Ft./Pile | 70 Ft./Pile |
| No. Required: | 7* | 7 |

*Includes one test pile HP 12x53 driven in a permanent location of Pier 1.

REVISIONS

| NAME | DATE |
|------|------|
| | |
| | |
| | |
| | |
| | |
| | |
| | |
| | |
| | |

PIER DETAILS

CR 603E OVER
BEAR CREEK
SEC 02-23118-00-BR
ADAMS COUNTY
STA 6+87.26
STRUCTURE NUMBER 001-3417
SCALE: VERT. N/A
HORIZ. N/A
DATE: MAY 2006
DRAWN BY JLS
CHECKED BY DSP