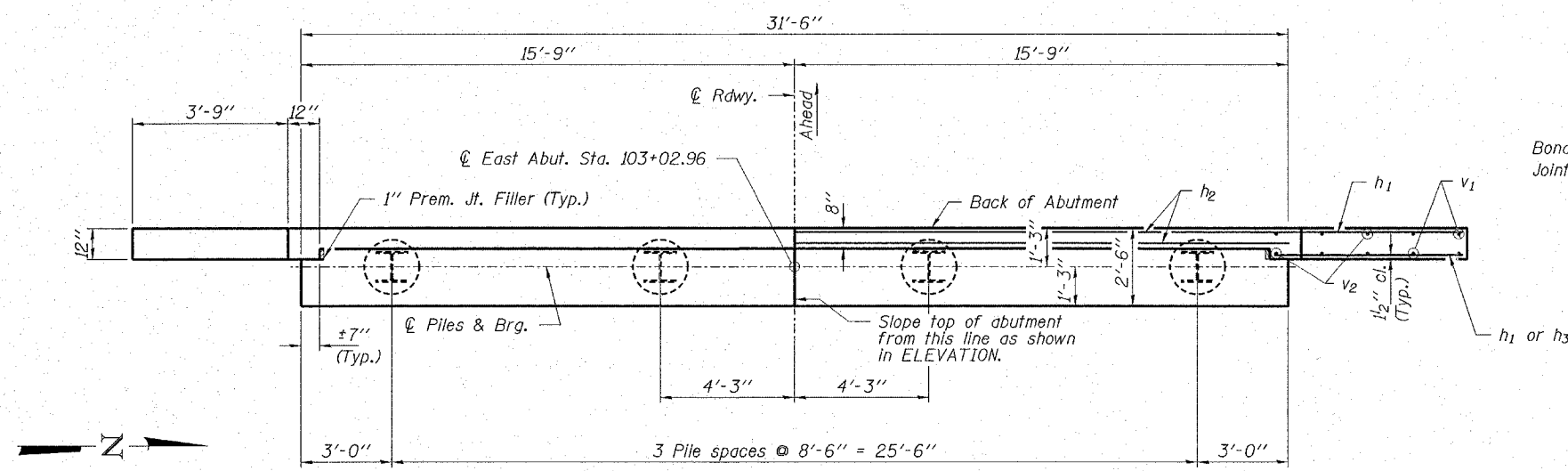
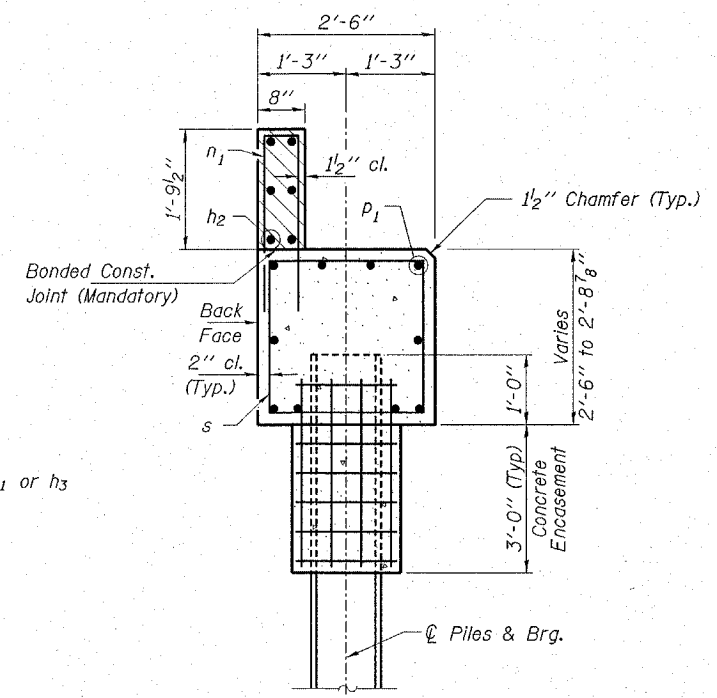


CONTRACT NO. 95469

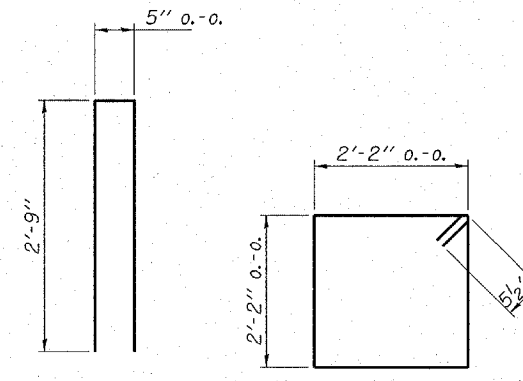


**PLAN**



**SECTION C-C**

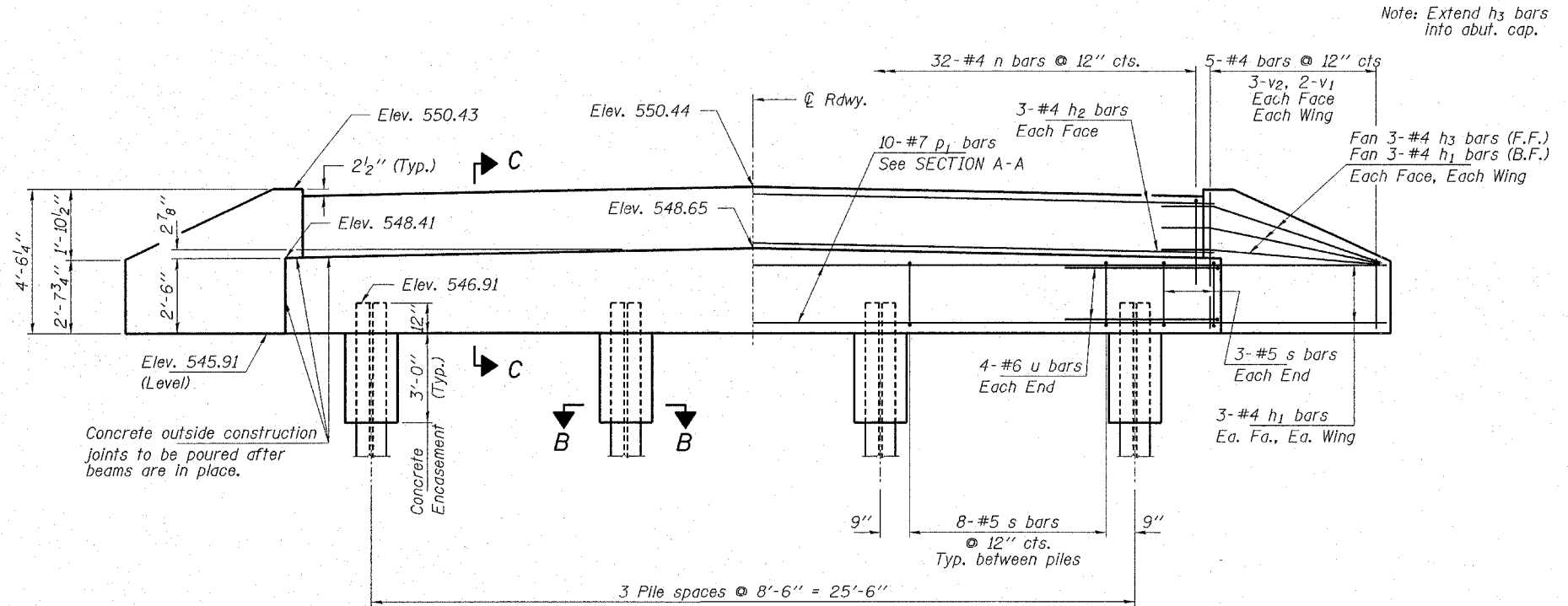
Hatched area to be poured after beams are in place.



**BAR n**

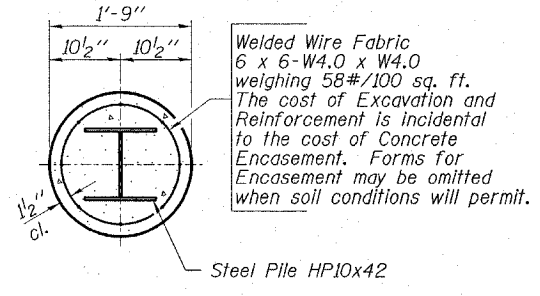
**BAR s**

**BAR u**



**ELEVATION**

(Looking East)



**SECTION B-B**

Welded Wire Fabric  
6 x 6-W4.0 x W4.0  
weighing 58#/100 sq. ft.  
The cost of Excavation and  
Reinforcement is incidental  
to the cost of Concrete  
Encasement. Forms for  
Encasement may be omitted  
when soil conditions will permit.

**BILL OF MATERIAL - E. ABUT.**

BAR	NO.	SIZE	LENGTH	SHAPE
h1	18	#4	5'-6"	—
h2	6	#4	31'-6"	—
h3	6	#4	4'-6"	—
n1	32	#4	5'-11"	□
p1	10	#7	31'-2"	—
s	30	#5	9'-7"	□
u	8	#6	12'-1"	—
v1	8	#4	2'-6"	—
v2	12	#4	3'-6"	—
Concrete Structures			Cu. Yd.	10.2
Reinf. Bars, Epoxy Coated			Pound	1,460
Steel Piles HP10x42			Foot	63
Driving Steel Piles			Foot	63
Test Pile Steel HP10x42			Each	1
Concrete Encasement			Cu. Yd.	1.0

All bars shall be Epoxy Coated.

**PILE DATA**

Type \_\_\_\_\_ Steel HP 10x42  
No. Req'd. \_\_\_\_\_ 4\*  
Capacity \_\_\_\_\_ Drive to Refusal  
Est. Length \_\_\_\_\_ 21 Feet/Pile

\* Includes one test pile to be driven in a permanent location at the East Abutment.

**HLR**  
Rice, Berry and Associates  
A Division of Hampton,  
Lenzini and Renwick, Inc.  
Civil & Structural Engineers  
3085 Stevenson Drive  
Suite 201  
Springfield, Illinois 62703  
217-546-3400

Account Number  
12-34-0002-1  
Date: 03/17/06

P.O. Box 1036  
DuQuoin, Illinois 62832  
618-790-4637

DESIGNED: S.M.S. CHECKED: S.W.M. DRAWN: D.T.M.

**EAST ABUTMENT**  
**SECTION 02-00104-00-BR**  
**F.A.S. 712 / C.H. 24**  
**FAYETTE COUNTY**  
**STR. NO. 026-3431 / STATION 102+50**