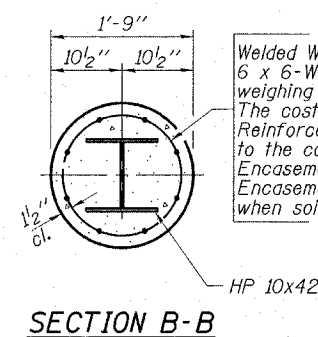
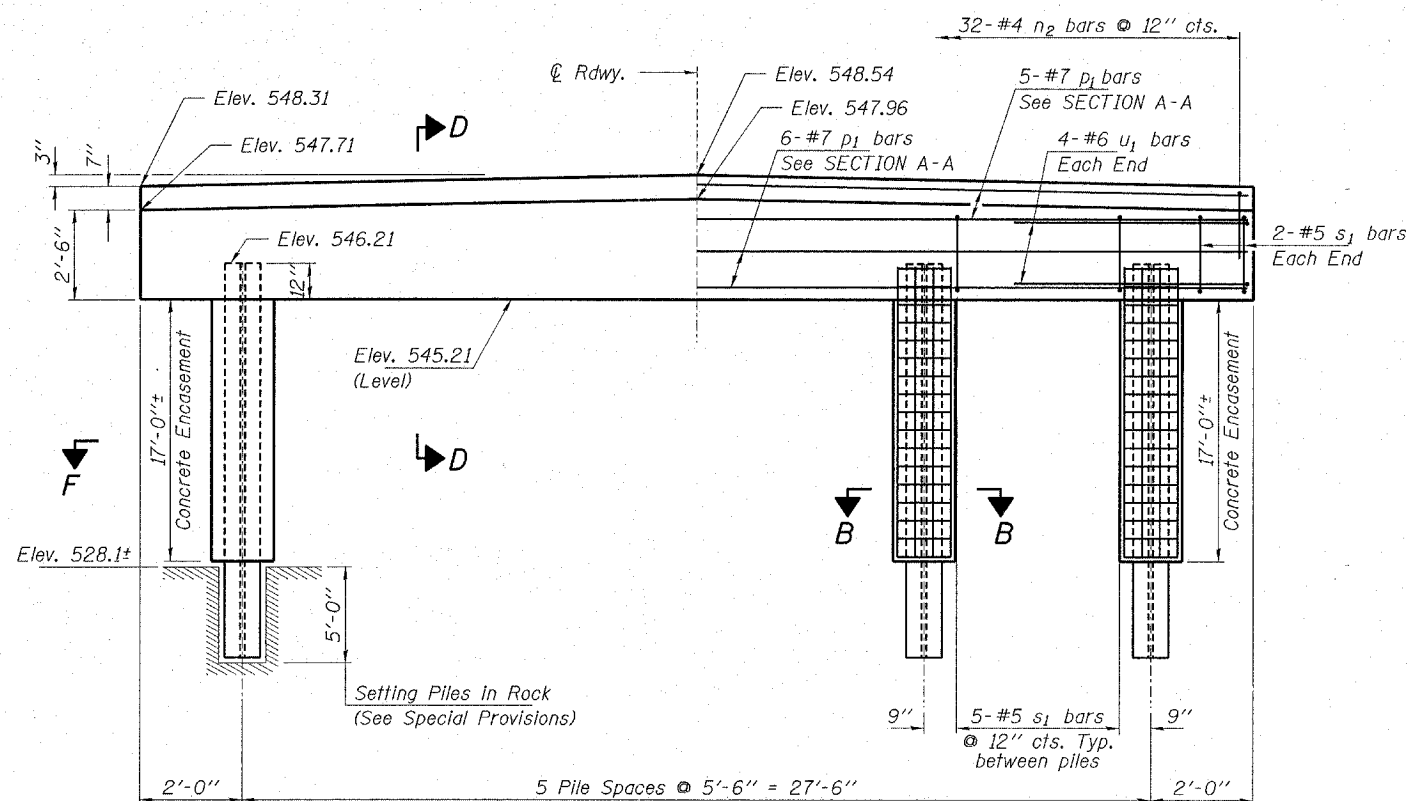
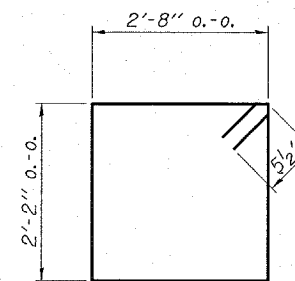
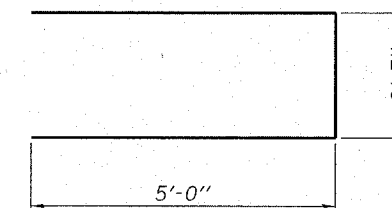
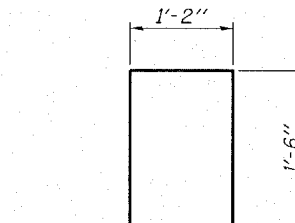
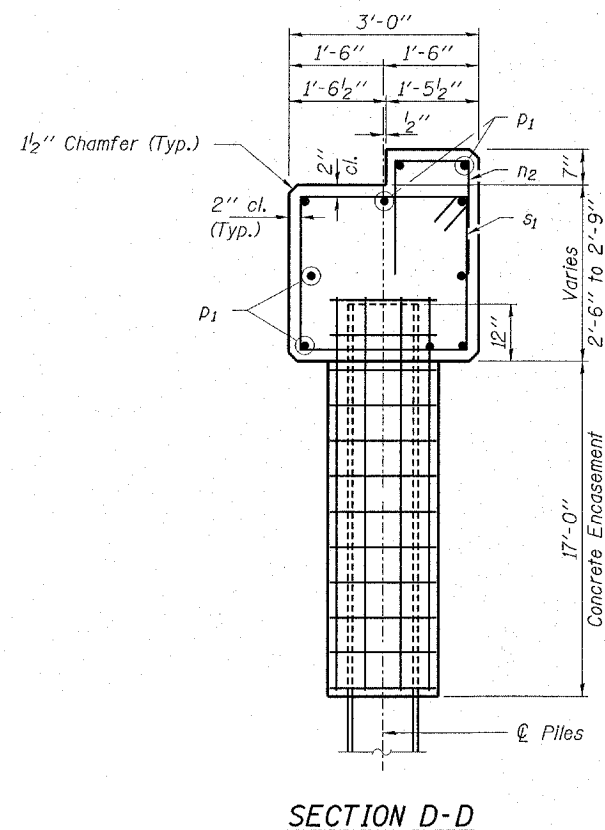
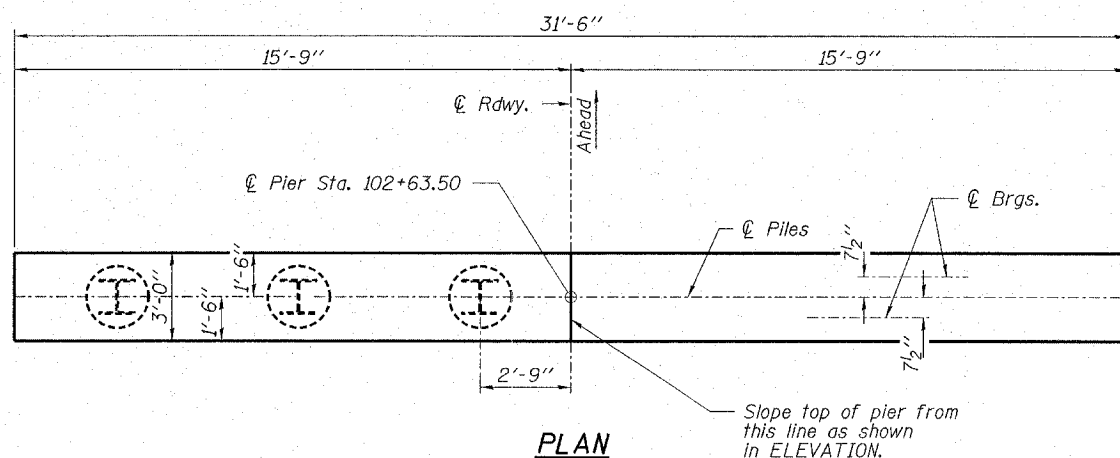


CONTRACT NO. 95469



Welded Wire Fabric
6 x 6-W4.0 x W4.0
weighing 58#/100 sq. ft.
The cost of Excavation and
Reinforcement is incidental
to the cost of Concrete
Encasement. Forms for
Encasement may be omitted
when soil conditions will permit.

BILL OF MATERIAL

BAR	NO.	SIZE	LENGTH	SHAPE
n2	32	#4	4'-2"	□
p1	11	#7	31'-2"	—
s1	29	#5	10'-7"	□
u1	8	#6	12'-7"	—
Concrete Structures			Cu. Yd.	11.2
Reinf. Bars, Epoxy Coated			Pound	1,080
Steel Piles HP10x42			Foot	138
Setting Piles in Rock			Each	6
Concrete Encasement			Cu. Yd.	8.8

All bars shall be Epoxy Coated.

PILE DATA

Type.....Steel Pile HP 10x42
No. Req'd.....6
Capacity.....49 Tons/Pile
Estimated Lengths.....23 Feet/Pile

HLR
Rice, Berry and Associates
A Division of Hampton,
Lenzini and Renwick, Inc.
Civil & Structural Engineers
3085 Stevenson Drive
Suite 201
Springfield, Illinois 62703
217-546-3400
P.O. Box 1036
DuQuoin, Illinois 62832
618-790-4637
DESIGNED: S.M.S. CHECKED: S.W.M. DRAWN: D.T.M.

PIER
SECTION 02-00104-00-BR
F.A.S. 712 / C.H. 24
FAYETTE COUNTY
STR. NO. 026-3431 / STATION 102+50