

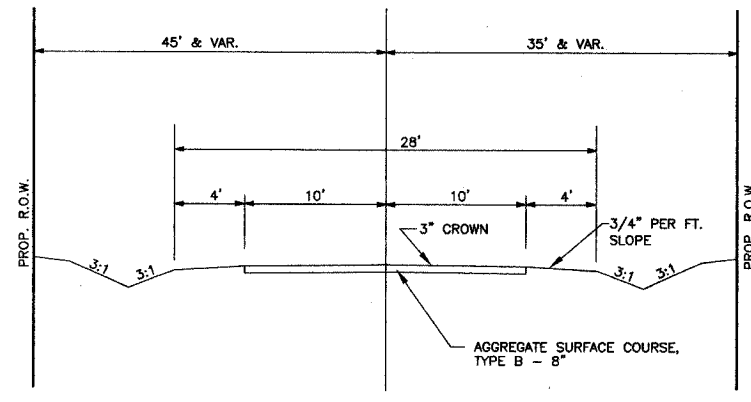
ROUTE	SECTION	COUNTY	TOTAL SHEETS	SHEET NO.
C.H. 11	05-00101-00-BR	JASPER	12	2
CONTRACT NO. 95472		ILLINOIS	PROJECT BROS-079(132)	

DESIGN DATA

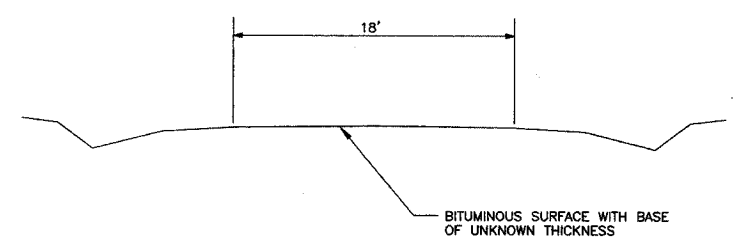
RURAL MINOR COLLECTOR
ADT = 150

GENERAL NOTES

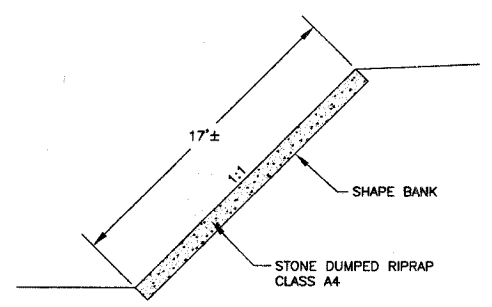
- SEEDING: THIS WORK SHALL BE PERFORMED IN ACCORDANCE WITH THE APPLICABLE PORTIONS OF SECTION 250 OF THE STANDARD SPECIFICATIONS AND SHALL BE PAID FOR AT THE CONTRACT UNIT PRICE FOR SEEDING CLASS 2 (SPECIAL).
 - SPRING SEEDING SHALL EXTEND FROM JANUARY 1 TO JUNE 30
 - FALL SEEDING SHALL EXTEND FROM JULY 1 TO DECEMBER 31
 - FERTILIZER NUTRIENTS SHALL BE APPLIED AT THE RATE OF 100 LB/ACRE
 - MULCHING SHALL BE DONE IN ACCORDANCE WITH ARTICLE 251 OF THE STANDARD SPECIFICATIONS AND SHALL BE DONE BY METHOD 2, PROCEDURE 2 AT THE RATE OF 2 TONS PER ACRE.
- NO PAYMENT FOR OVERHAUL WILL BE MADE ON THIS SECTION.



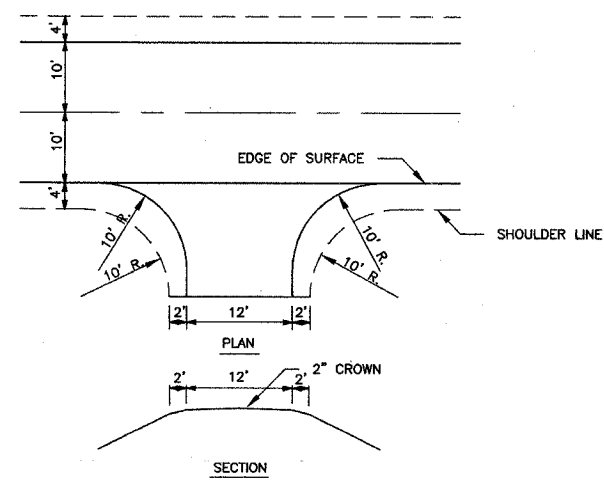
TYPICAL SECTION
PROPOSED



TYPICAL SECTION
EXISTING

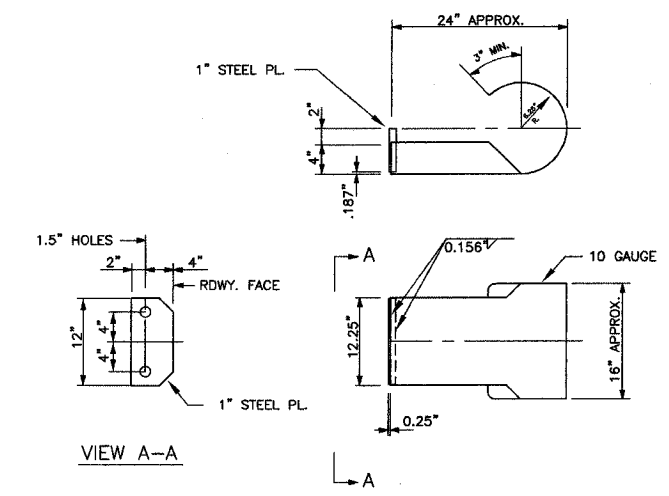


STREAM BANK DETAIL



FIELD ENTRANCE DETAIL

SUMMARY OF QUANTITIES			
CODE NO.	ITEM	UNIT	QUANTITY
20200100	EARTH EXCAVATION	CU YD	360
20300100	CHANNEL EXCAVATION	CU YD	360
25001000	SEEDING, CLASS 2 (SPECIAL)	ACRE	0.40
28000300	TEMPORARY DITCH CHECKS	EACH	4
28000900	FENCE (EROSION CONTROL)	FOOT	250
28100807	STONE DUMPED RIPRAP, CLASS A4	TON	205
35101400	AGGREGATE BASE COURSE, TYPE B	TON	80
40200800	AGGREGATE SURFACE COURSE, TYPE B	TON	200
50100100	REMOVAL OF EXISTING STRUCTURES	EACH	1
50300225	CONCRETE STRUCTURES	CU YD	19.8
50400405	PRECAST PRESTRESSED CONCRETE DECK BEAMS (21" DEPTH)	SQ FT	1120
50800105	REINFORCEMENT BARS	POUND	2520
50900205	STEEL RAILING, TYPE S1	FOOT	80
51201400	FURNISHING STEEL PILES HP 10X42	FOOT	270
51202700	DRIVING STEEL PILES	FOOT	270
51203400	TEST PILE STEEL HP 10X42	EACH	1
51204315	CONCRETE ENCASEMENT	CU YD	2.6
51500100	NAME PLATES	EACH	1
542A0229	PIPE CULVERTS, CLASS A, TYPE 1 24"	FOOT	113
63100075	TRAFFIC BARRIER TERMINAL, TYPE 5A	EACH	2
66600105	FURNISHING AND ERECTING RIGHT-OF-WAY MARKERS	EACH	8
67100100	MOBILIZATION	L. SUM	1
LR631020	TRAFFIC BARRIER TERMINAL, TYPE 1	EACH	2



CURLED END SECTION DETAILS

2 REQUIRED - COST INCIDENTAL TO
"STEEL RAILING, TYPE S-1"