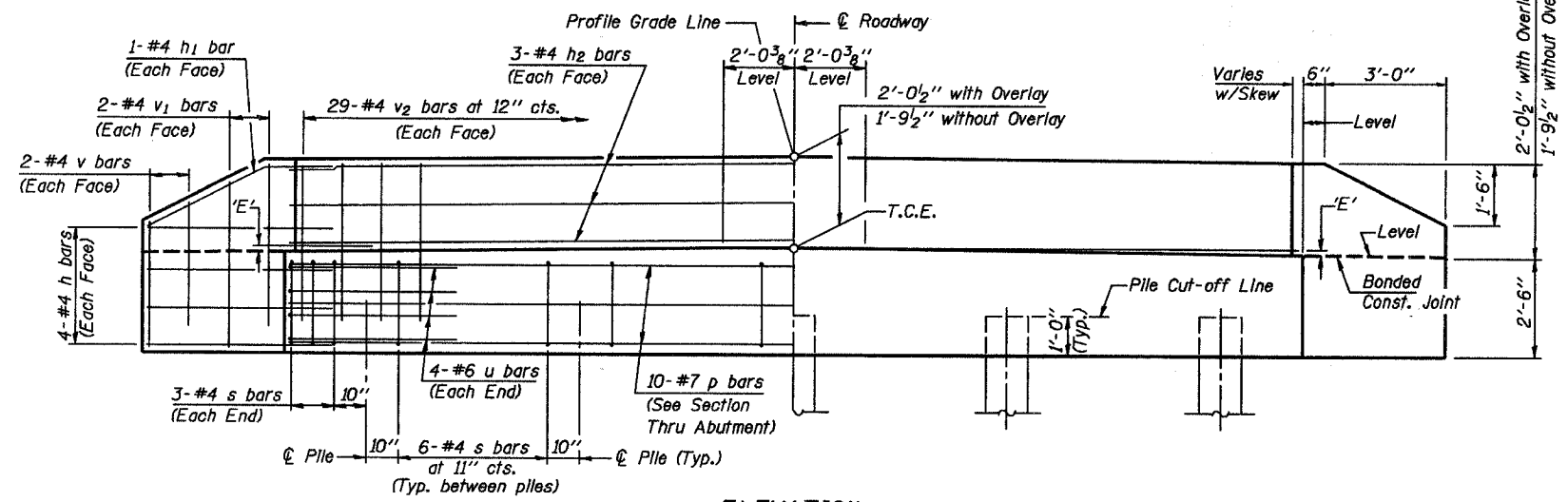


PLAN
('D' = Designated Skew Angle)



ELEVATION

DIMENSION 'E'

GRADE	'D'=0°		'D'=5°		'D'=10°	
	UPGRADE END	DOWNGRADE END	UPGRADE END	DOWNGRADE END	UPGRADE END	DOWNGRADE END
0%	2 3/8"	2 3/8"	2 3/8"	2 3/8"	2 3/8"	2 3/8"
Over 0% to 1%	2 3/8"	2 3/8"	2 1/4"	2 3/8"	2 3/8"	2 1/2"
Over 1% to 2%	2 3/8"	2 3/8"	2 1/2"	2 3/8"	1 7/8"	2 3/4"
Over 2% to 3%	2 3/8"	2 3/8"	2"	2 5/8"	1 3/8"	3"
Over 3% to 4%	2 3/8"	2 3/8"	1 7/8"	2 3/4"	1 3/8"	3 1/4"

NOTES

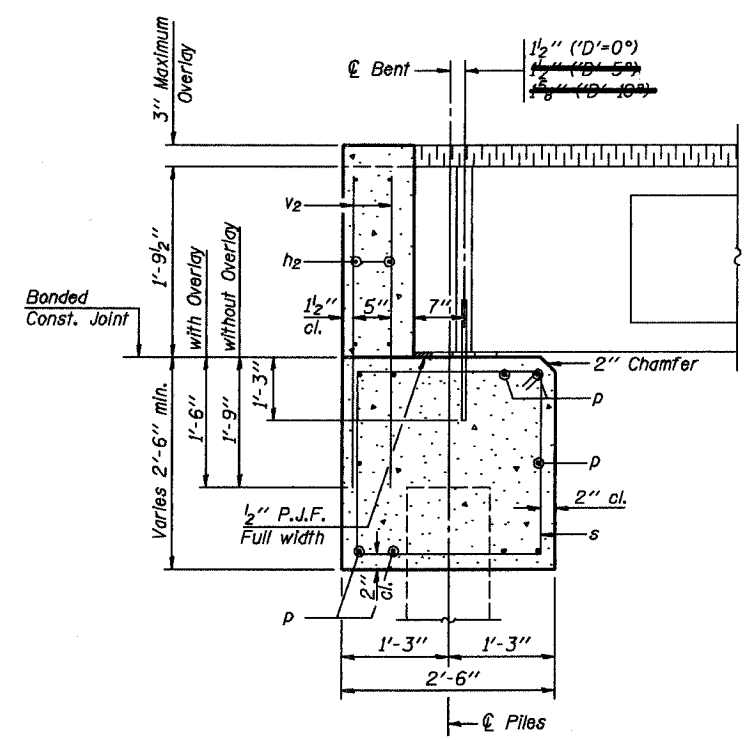
- The Backwall and the portion of the Wingwalls above the bonded construction joint shall be cast against the in-place beam.
- Reinforcement bars shall conform to the requirements of A.A.S.H.T.O. M-31 or M-322, Grade 60.
- Space reinforcement in cap to miss anchor bolts.

MAXIMUM PILE LOADS

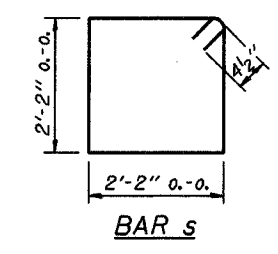
SPAN	TONS
30'	25
35'	27
40'	29
45'	31

DESIGN STRESSES

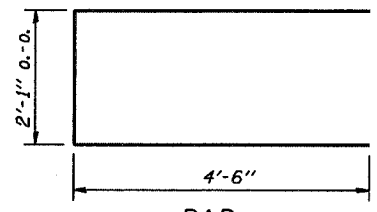
f'c = 3,500 psi
fy = 60,000 psi



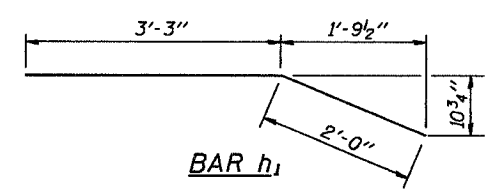
SECTION THRU ABUTMENT
(At Right Angles)



BAR s



BAR u



BAR h1

BILL OF MATERIAL FOR ONE ABUTMENT

Bar	No.	Size	Length	Shape
h	16	#4	5'-0"	—
h1	4	#4	5'-3"	—
h2	6	#4	28'-10"	—
p	10	#7	28'-10"	—
s	30	#4	9'-5"	□
u	8	#6	11'-1"	—
v	8	#4	2'-8"	—
v1	8	#4	3'-8"	—
v2	58	#4	3'-5"	—
Concrete Structures			9.9 Cu. Yds.	
Reinforcement Bars			1260 Lb.	

Illinois Department of Transportation
 PASSED APRIL 4, 2005
 Thomas S. Ramaakalvi
 Engineer of Bridge Design
 APPROVED APRIL 4, 2005
 Ralph E. Oakburn
 Engineer of Bridges and Structures

P.P.C. DECK BEAMS PILE BENT ABUTMENT	
28' RDWY.	21" BMS. 'D'=0°, 5° OR 10°
STANDARD CA-2821-10	