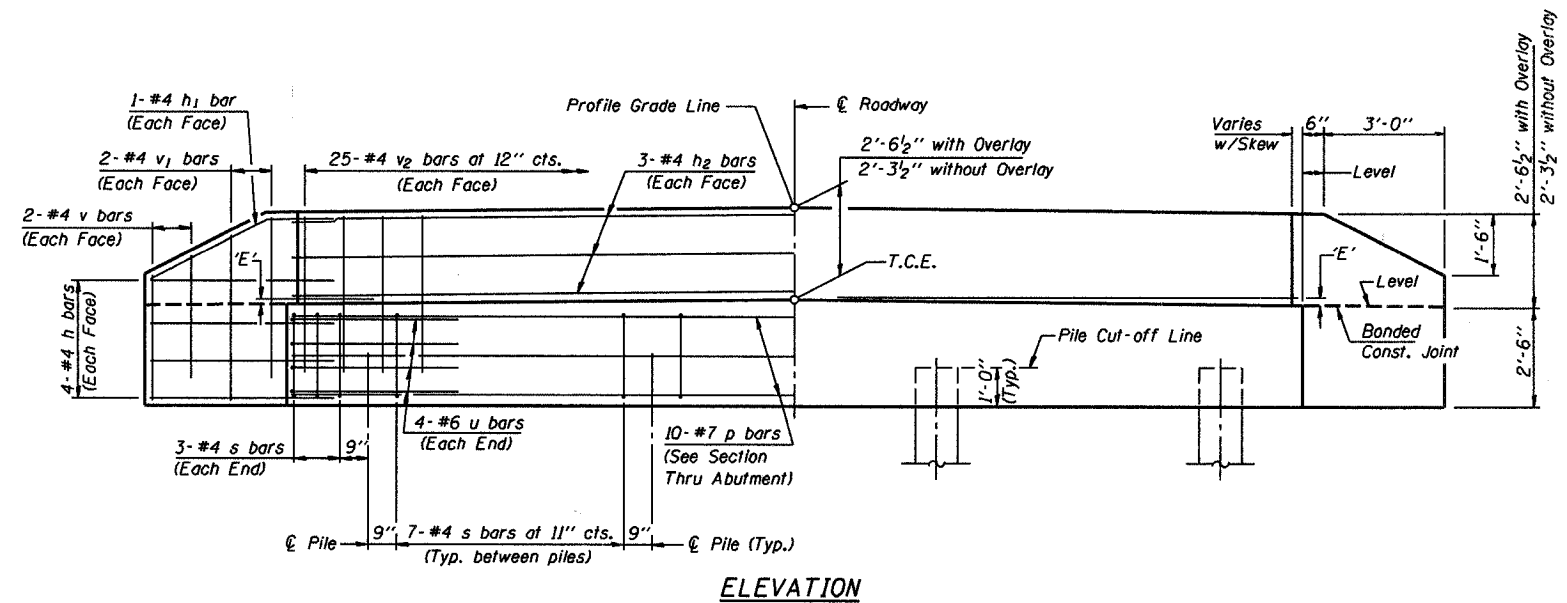
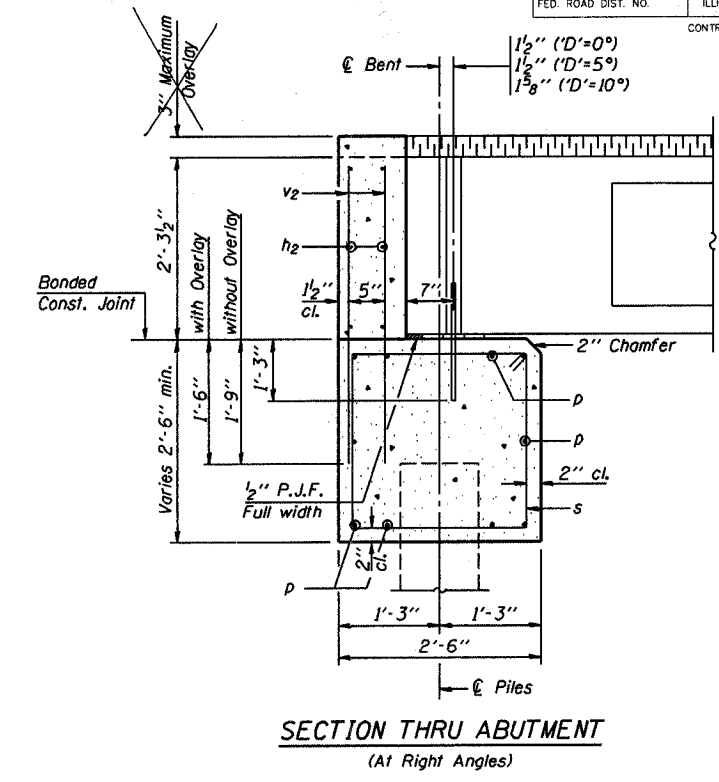
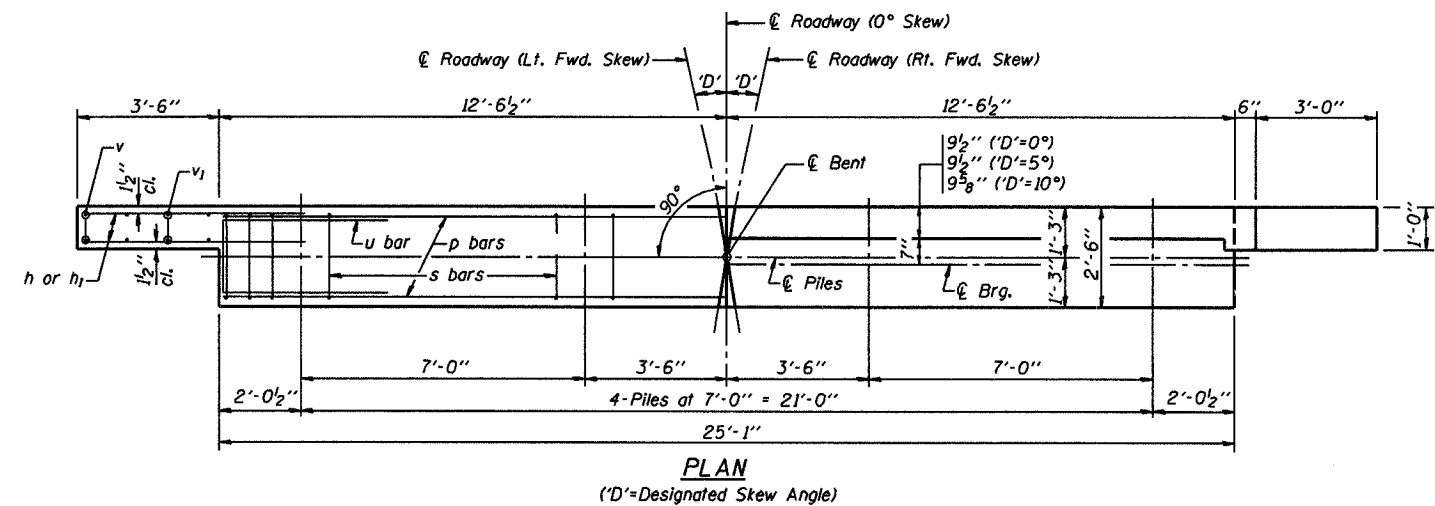


ROUTE NO.	SECTION	COUNTY	TOTAL SHEETS	SHEET NO.
TR 416	05-07128-00-BR	FAYETTE	12	8
FED. ROAD DIST. NO.	ILLINOIS	PROJECT		

CONTRACT NO. 45481



DIMENSION 'E'

GRADE	D'=0°		D'=5°		D'=10°	
	UPGRADE END	DOWNGRADE END	UPGRADE END	DOWNGRADE END	UPGRADE END	DOWNGRADE END
0%	2 3/8"	2 3/8"	2 3/8"	2 3/8"	2 3/8"	2 3/8"
Over 0% to 1%	2 3/8"	2 3/8"	2 1/4"	2 3/8"	2 1/8"	2 1/2"
Over 1% to 2%	2 3/8"	2 3/8"	2 1/8"	2 1/2"	1 7/8"	2 3/4"
Over 2% to 3%	2 3/8"	2 3/8"	2"	2 5/8"	1 5/8"	3"
Over 3% to 4%	2 3/8"	2 3/8"	1 9/8"	2 3/4"	1 3/8"	3 1/4"

NOTES

- The Backwall and the portion of the Wingwalls above the bonded construction joint shall be cast against the in-place beam.
- Reinforcement bars shall conform to the requirements of A.A.S.H.T.O. M-31 or M-322, Grade 60.
- Space reinforcement in cap to miss anchor bolts.

MAXIMUM PILE LOADS

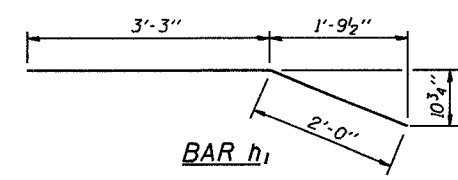
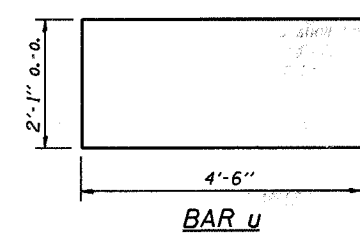
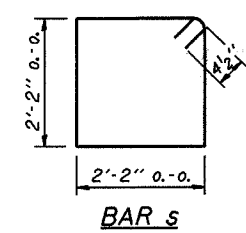
SPAN	TONS
40'	34
50'	38
60'	43

DESIGN STRESSES

f'c = 3,500 psi
fy = 60,000 psi

BILL OF MATERIAL FOR ONE ABUTMENT

Bar	No.	Size	Length	Shape
h	16	#4	5'-0"	—
h1	4	#4	5'-3"	—
h2	6	#4	24'-9"	—
p	10	#7	24'-9"	—
s	27	#4	9'-5"	□
u	8	#6	11'-1"	□
v	8	#4	3'-2"	—
v1	8	#4	4'-2"	—
v2	50	#4	3'-11"	—
Concrete Structures	9.1 Cu. Yds.			
Reinforcement Bars	1150 Lb.			



Illinois Department of Transportation

PASSED APRIL 4, 2005
Thomas S. ...
Engineer of Bridge Design

APPROVED APRIL 4, 2005
Ralph E. ...
Engineer of Bridges and Structures

**P.P.C. DECK BEAMS
PILE BENT ABUTMENT**

24' RDWY. | 27" BMS. | D'=0°, 5° OR 10°

STANDARD CA-2427-10