

SUMMARY OF QUANTITIES

X081-2A

NUMBER	ITEM	UNIT	QUANTITY
20100500	TREE REMOVAL, ACRES	ACRE	0.1
20200100	EARTH EXCAVATION	CU YD	867
20300100	CHANNEL EXCAVATION	CU YD	880
20400800	FURNISHED EXCAVATION	CU YD	1,705
25000200	SEEDING, CLASS 2	ACRE	0.9
25000400	NITROGEN FERTILIZER NUTRIENT	POUND	81
25000500	PHOSPHORUS FERTILIZER NUTRIENT	POUND	81
25000600	POTASSIUM FERTILIZER NUTRIENT	POUND	81
25100115	MULCH, METHOD 2	ACRE	0.9
28000250	TEMPORARY EROSION CONTROL SEEDING	POUND	90
28000300	TEMPORARY DITCH CHECKS	EACH	4
28000400	PERIMETER EROSION BARRIER	FOOT	933
28000500	INLET AND PIPE PROTECTION	EACH	1
28100207	STONE RIPRAP, CLASS A4	TON	333
28102600	STONE RIPRAP DITCH	TON	366
28200200	FILTER FABRIC	SQ YD	489
40200800	AGGREGATE SURFACE COURSE, TYPE B	TON	845
50100100	REMOVAL OF EXISTING STRUCTURES	EACH	1
50300225	CONCRETE STRUCTURES	CU YD	99.0
50400505	PRECAST PRESTRESSED CONCRETE DECK BEAMS (27" DEPTH)	SQ FT	3,456
50800105	REINFORCEMENT BARS	POUND	8,230
50900205	STEEL RAILING, TYPE S1	FOOT	289
51201600	FURNISHING STEEL PILES HP12X53	FOOT	435
51202700	DRIVING STEEL PILES	FOOT	150
51203600	TEST PILE STEEL HP12X53	EACH	2
51204315	CONCRETE ENCASEMENT	CU YD	17.0
51500100	NAME PLATES	EACH	1
54200220	PIPE CULVERTS, CLASS D, TYPE 1 15"	FOOT	38
63100075	TRAFFIC BARRIER TERMINAL, TYPE 5A	EACH	2
63100167	TRAFFIC BARRIER TERMINAL, TYPE 1 SPECIAL (TANGENT)	EACH	2
67100100	MOBILIZATION	L SUM	1
78201000	TERMINAL MARKER - DIRECT APPLIED	EACH	4
X5020501	UNDERWATER STRUCTURE EXCAVATION PROTECTION - LOCATION 1	EACH	1
X5020502	UNDERWATER STRUCTURE EXCAVATION PROTECTION - LOCATION 2	EACH	1
Z0065000	SETTING PILES IN ROCK	EACH	10

*SEE SPECIAL PROVISIONS

GENERAL NOTES

WHERE SECTION OR SUBSECTION MONUMENTS ARE ENCOUNTERED, THE ENGINEER SHALL BE NOTIFIED BEFORE SUCH MONUMENTS ARE REMOVED. THE CONTRACTOR SHALL PROTECT AND CAREFULLY PRESERVE ALL PROPERTY MARKS AND MONUMENTS UNTIL THE OWNER, AND AUTHORIZED SURVEYOR OR AGENT HAS WITNESSED OR OTHERWISE REFERENCED THEIR LOCATION.

THE AREA TO BE SEEDED SHALL CONSIST OF ALL DISTURBED EARTH SURFACES WITHIN THE RIGHT OF WAY, AS DIRECTED BY THE ENGINEER.

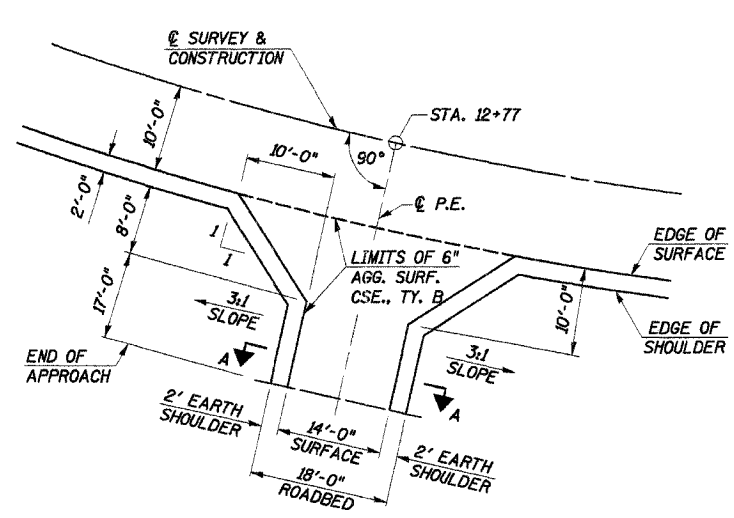
THE CONTRACTOR SHALL CHECK WITH THE ENGINEER FOR EXACT LENGTH OF PIPE CULVERTS BEFORE ORDERING.

TREE REMOVAL

ALL TREES BETWEEN THE LIMITS SHOWN BELOW AND THE ADJACENT SHOWN R.O.W. WHICH INTERFERE WITH THE CONSTRUCTION SHALL BE REMOVED ONLY AS DIRECTED BY THE ENGINEER.

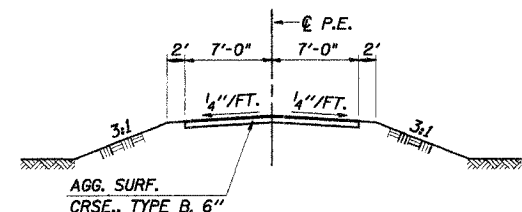
50' LT. STA. 14+20 TO 50' LT. STA. 14+80
35' RT. STA. 14+35 TO 35' RT. STA. 14+80

TREE REMOVAL, ACRES = 0.1 ACRE



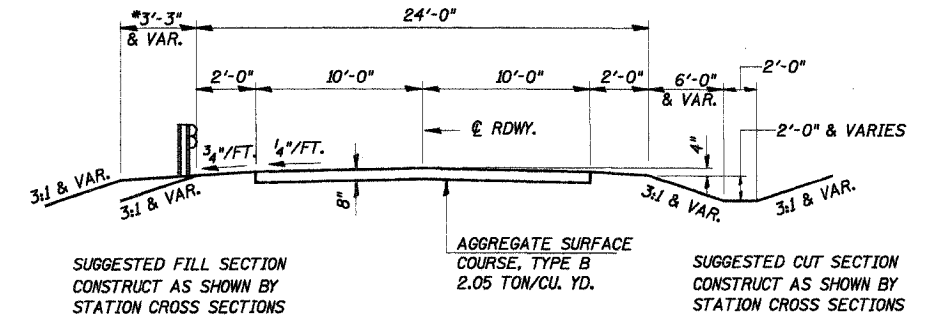
PRIVATE ENTRANCE DETAIL

RT. STA. 12+77



SECTION A-A

*SEE SHEET 6 AND STD. 630301 FOR SHOULDER AND GUARDRAIL DETAILS

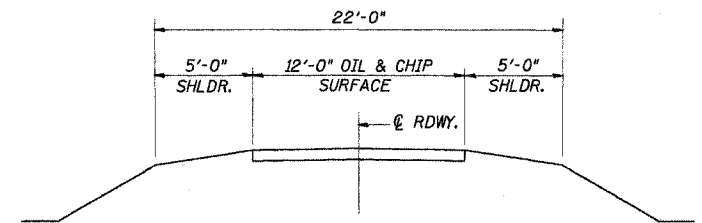


TYPICAL PROPOSED CROSS SECTION

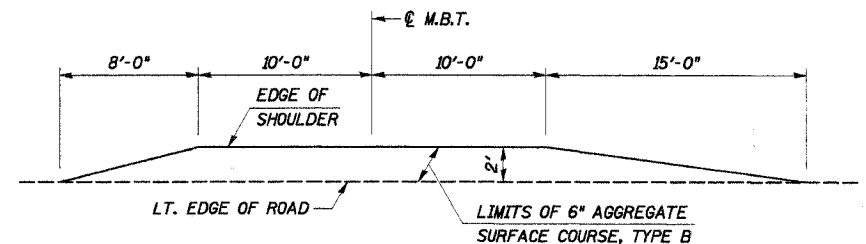
STA. 12+00 TO STA. 19+00

ROAD CLASSIFICATION: LOCAL ROAD (NON-URBAN) ADT 0-250
CURRENT ADT 225

TRANSITION FROM EXISTING ROADWAY TO PROPOSED ROADWAY TO BE CONSTRUCTED FROM STA. 11+50 TO STA. 12+00 AND FROM STA. 19+00 TO STA. 19+50.



EXISTING TYPICAL CROSS SECTION



MAILBOX TURNOUT DETAIL

LT. STA. 12+77

ESTIMATED QUANTITIES

ITEM	RATE OF APPLICATION	QUANTITIES
SEEDING, CLASS 2		0.9 ACRE
NITROGEN FERTILIZER NUTRIENT	90 LBS/ACRE	81 POUNDS
PHOSPHORUS FERTILIZER NUTRIENT	90 LBS/ACRE	81 POUNDS
POTASSIUM FERTILIZER NUTRIENT	90 LBS/ACRE	81 POUNDS
MULCH METHOD 2	2 TON / ACRE	0.9 ACRE

THE SEEDING MIXTURE USED SHALL CONFORM TO ROADSIDE MIXTURE TYPE 2, EXCEPT DURING THE PERIOD BETWEEN NOVEMBER 1 AND DECEMBER 31. THE CONTRACTOR SHALL SUBSTITUTE 25 POUNDS OF PERENNIAL RYE FOR 48 POUNDS OF OATS, SPRING.

SUMMARY OF QUANTITIES, GENERAL NOTES AND TYPICAL CROSS SECTION

SECTION 05-17117-00-BR
RIDGE ROAD DISTRICT
SHELBY COUNTY
STA. 15+02.38

4440 ASH GROVE
SPRINGFIELD, IL 62711
(217) 793-8000
oasinc@insightbb.com

OZYURT AND STONE, INC.
CONSULTING ENGINEERS

DRAWN: R.D.F. & S.A.P.
DATE: 09/08/05

CHECKED: S.F.M.
DATE: 10/13/05

JOB NO.: 0504
FILE: 0504SUMTYP.DGN
DATE: 02/14/06