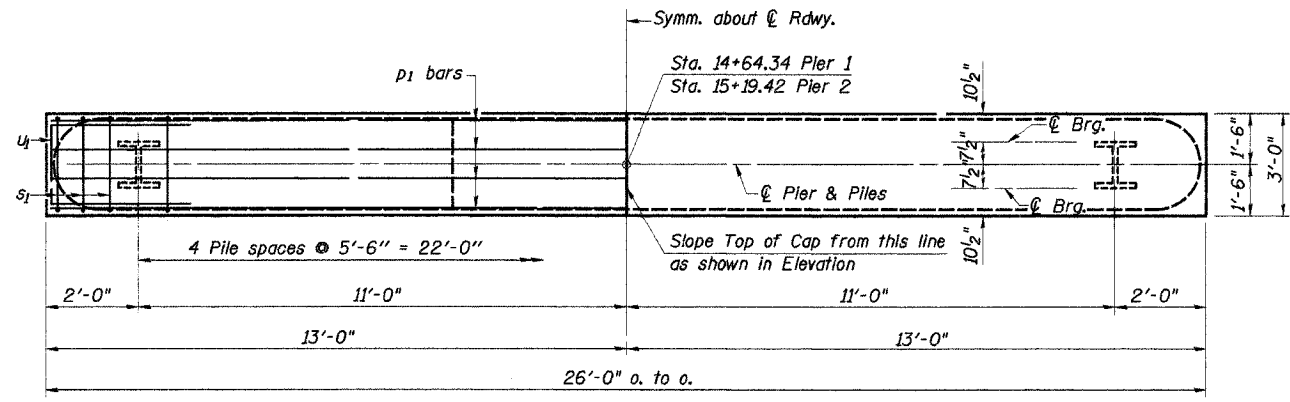
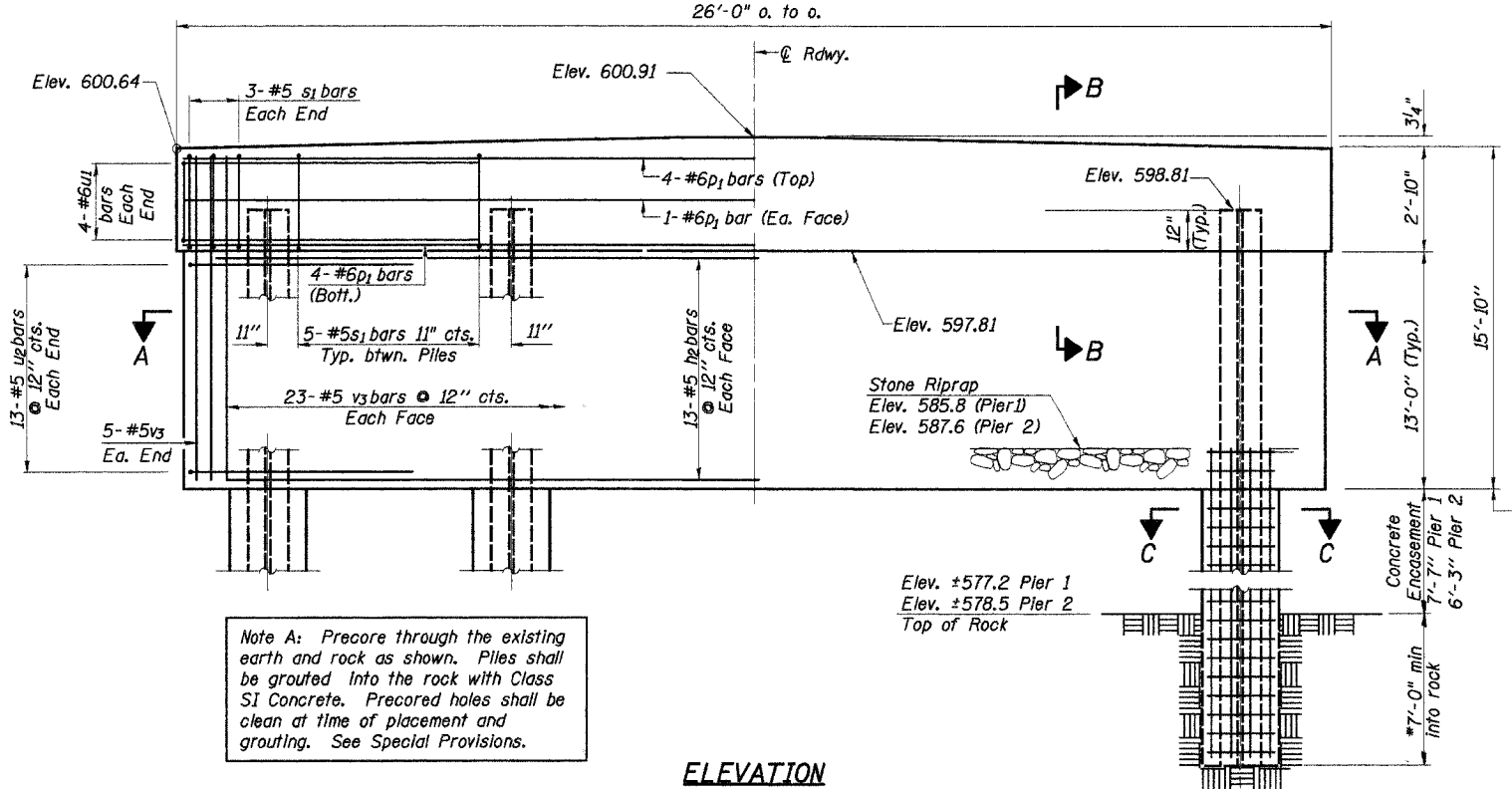


ROUTE NO.	SECTION	COUNTY	TOTAL SHEETS	SHEET NO.
T.R. 133	05-17117-00-BR	SHELBY	21	12
ROAD DIST.	ILLINOIS		RIDGE	

CONTRACT NO. 95484

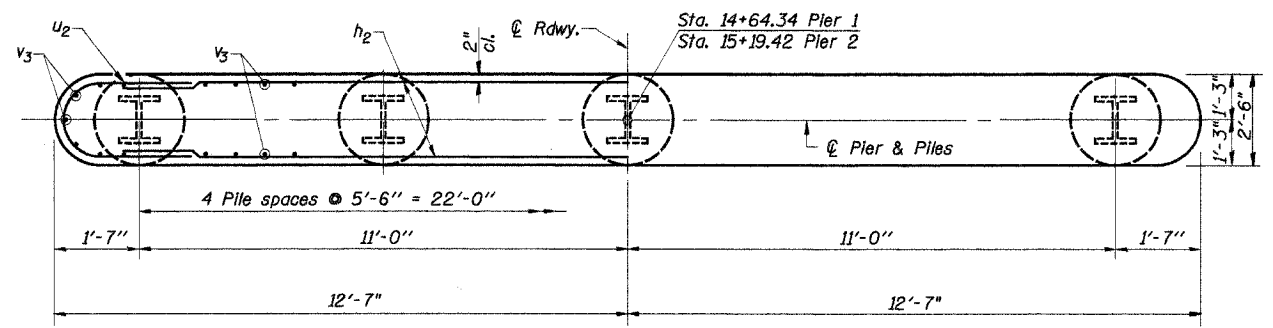


PLAN

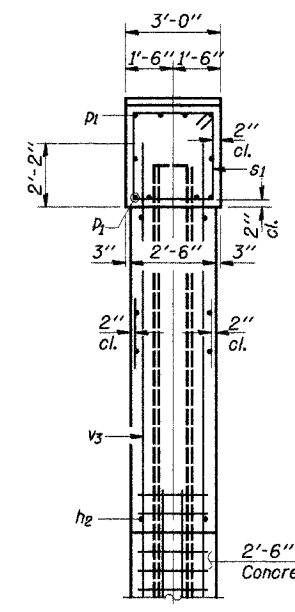


ELEVATION

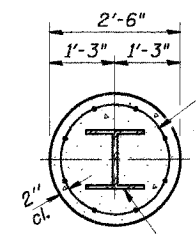
Note A: Precore through the existing earth and rock as shown. Piles shall be grouted into the rock with Class SI Concrete. Precored holes shall be clean at time of placement and grouting. See Special Provisions.



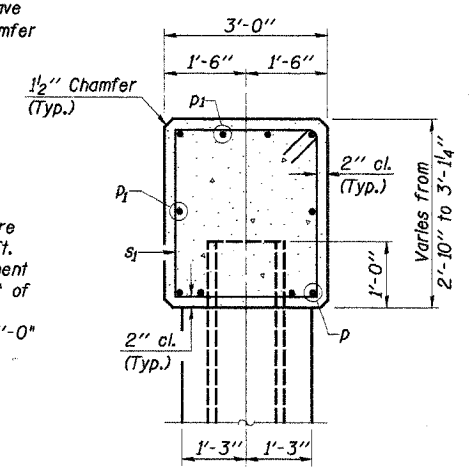
SECTION A-A



END VIEW



SECTION C-C



SECTION B-B

Note: All edges shall have standard 3/4" chamfer except as noted.

Welded wire fabric 6"x 6"-W4.0 x W4.0 Wire weighing 58#/100 sq. ft. The cost of Reinforcement is incidental to the cost of "Concrete Encasement". Extend Reinforcement 1'-0" into wall.

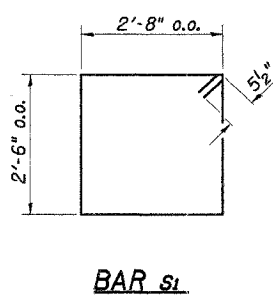
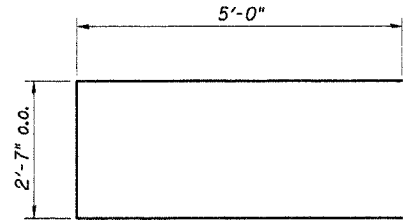
PILE DATA

Type.....	Steel HP12x53
Capacity.....	Set in Rock (See Note A)
Est. Length.....	29'-0" Feet/Pile Pier 1
	28'-0" Feet/Pile Pier 2
No. Req'd.....	10*

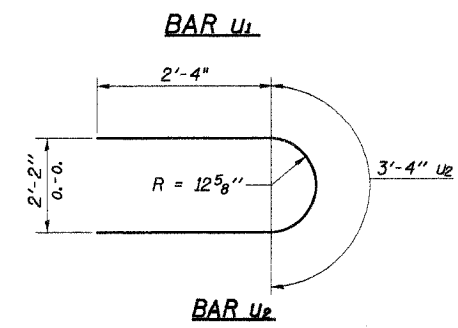
* Concrete included in price for SETTING PILES IN ROCK. See Special Provisions.

BILL OF MATERIAL - 2 PIERS

BAR	NO.	SIZE	LENGTH	SHAPE
h2	52	#5	22'-10"	—
p1	20	#6	25'-8"	—
s1	52	#5	11'-3"	□
u1	16	#6	12'-7"	⊓
u2	52	#5	8'-0"	⊓
v3	112	#5	15'-0"	—
Concrete Structures		Cu. Yd.	76.8	
Reinforcement Bars		Pound	5,110	
Steel Piles HP12x53		Foot	285	
Setting Piles in Rock		Each	10	
Conc. Encasement		Cu. Yd.	12.6	



BAR s1



BAR u1

BAR u2

DESIGNED	F.J.S.
CHECKED	A.R.K.
DRAWN	S.A.P.
CHECKED	A.R.K. & F.J.S.

PIERS

SECTION 05-17117-00-BR
RIDGE ROAD DISTRICT
SHELBY COUNTY
STATION 15+02.38

4440 ASH GROVE SPRINGFIELD, IL 62711 (217) 793-8800 oasinc@insightbb.com	OZYURT AND STONE, INC. CONSULTING ENGINEERS	JOB NO.: 0504 FILE: 0504PIER.DGN DATE: 02/14/06
-----------------------------------------------------------------------------------	-------------------------------------------------------	-------------------------------------------------------