

NOTES

All exposed edges shall have standard 3/4" chamfer.
 Space reinforcement in cap to miss beam anchor dowels.
 Wingwalls and Backwalls may, at the contractor's option,
 be cast monolithically.

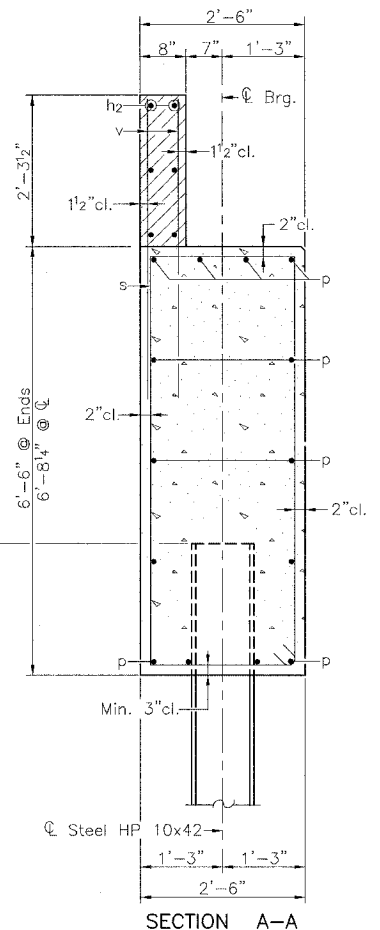
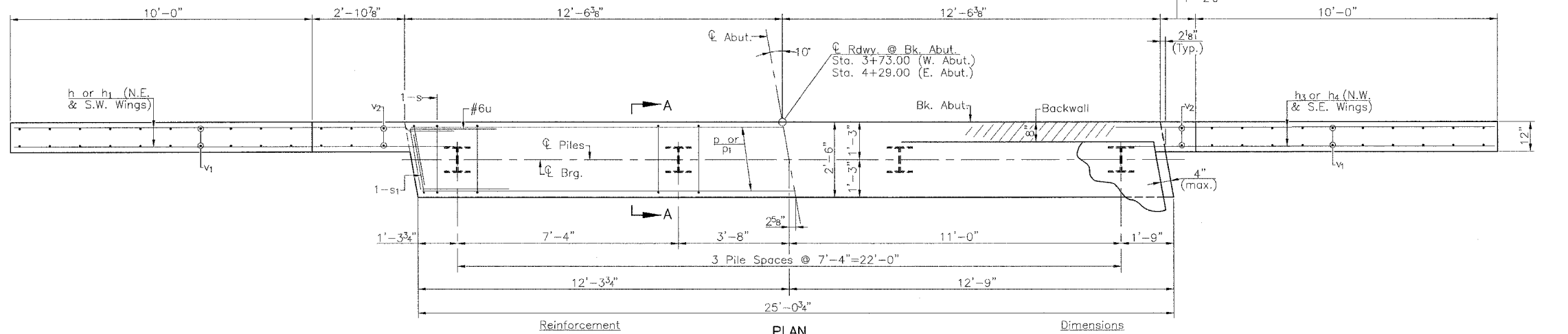
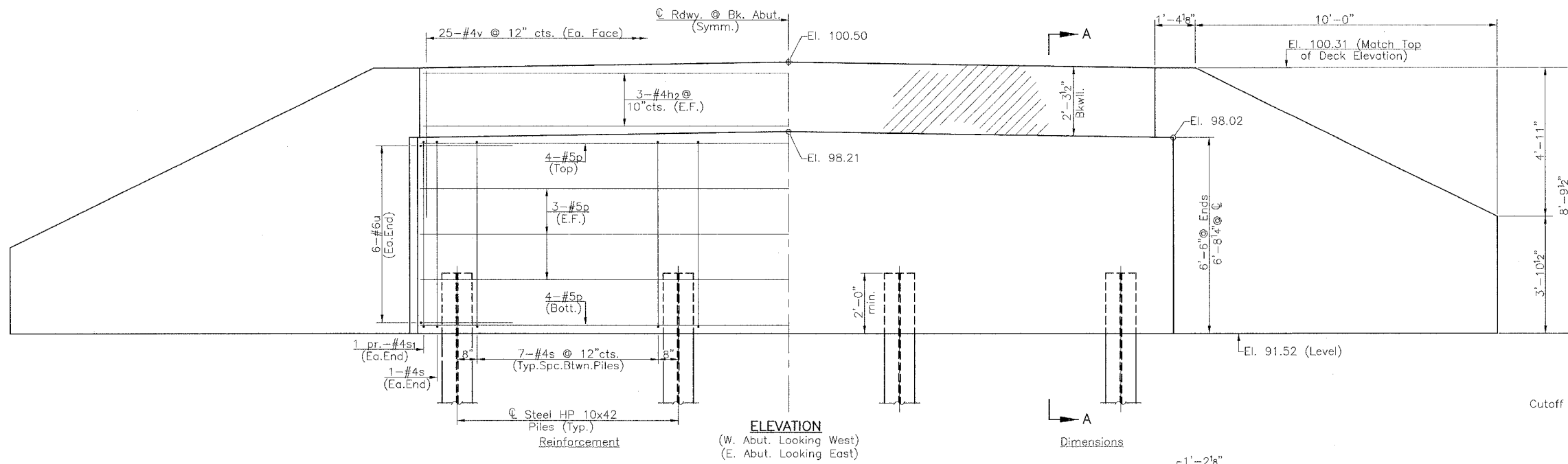
PILE DATA

W. Abut. E. Abut.
 Type: Steel HP 10x42 Steel HP 10x42
 Capacity: Refusal Refusal
 Est. Length: 30' 34'
 No. Req'd.: 4 3 + 1 Test Pile

Note: Hatched area and wingwalls shall
 be poured after deck beams are
 anchored in place. Quantity for Concrete
 Structures is included in Bill of
 Material, this sheet.

RTE.	SECTION	COUNTY	TOTAL SHEETS	SHEET NO.
T.R. 137	*	JERSEY	9	7

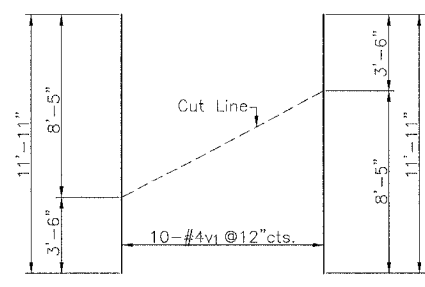
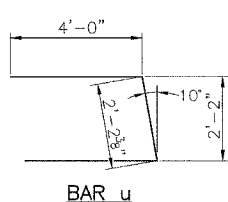
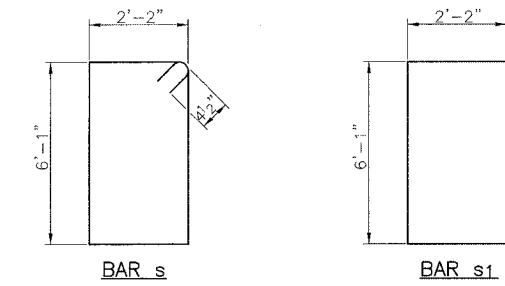
FEDERAL AID PROJECT BROS-083(038)
 * 04-07118-00-BR
 CONTRACT NO. 97277



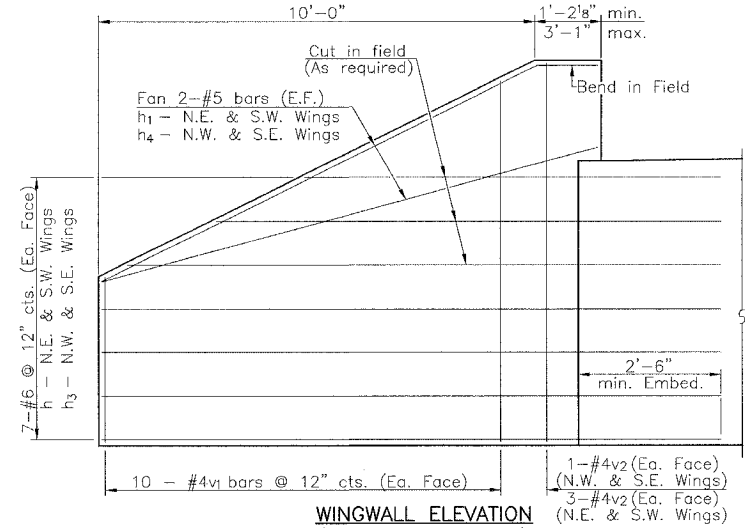
**TWO ABUTMENTS
 BILL OF MATERIAL**

BAR	NO.	SIZE	LENGTH	SHAPE
h	28	#6	15'-6"	---
h1	8	#5	12'-7"	---
h2	12	#4	27'-0"	---
h3	28	#6	13'-8"	---
h4	8	#5	10'-10"	---
p	28	#5	24'-8"	---
s	46	#4	17'-3"	□
s1	8	#4	10'-5"	□
u	24	#6	10'-3"	---
v	100	#4	3'-9"	---
v1	40	#4	11'-11"	---
v2	16	#4	8'-5"	---
Concrete Structures				Cu. Yd. 45.5
Reinforcement Bars				Pound 3970
Furnishing Steel Piles HP10x42				Foot 222
Driving Steel Piles				Foot 222
Test Pile, Steel HP10x42				Each 1
Structure Excavation				Cu. Yd. 67

**ABUTMENTS
 I.R. 137 OVER PIASA CREEK
 SECTION 04-07118-00-BR
 JERSEY COUNTY**



v1 - BAR CUT DIAGRAM
 Order v1 bars full length; Layout in field according to diagram. Cut v1 bars along cut line. Use remainder of each bar in opposite face.



**WINGWALL ELEVATION
 (Showing Reinforcement)**

* See v1-bar cut diagram

FILE NAME: JC137AB (REV. 3/7/5/06)