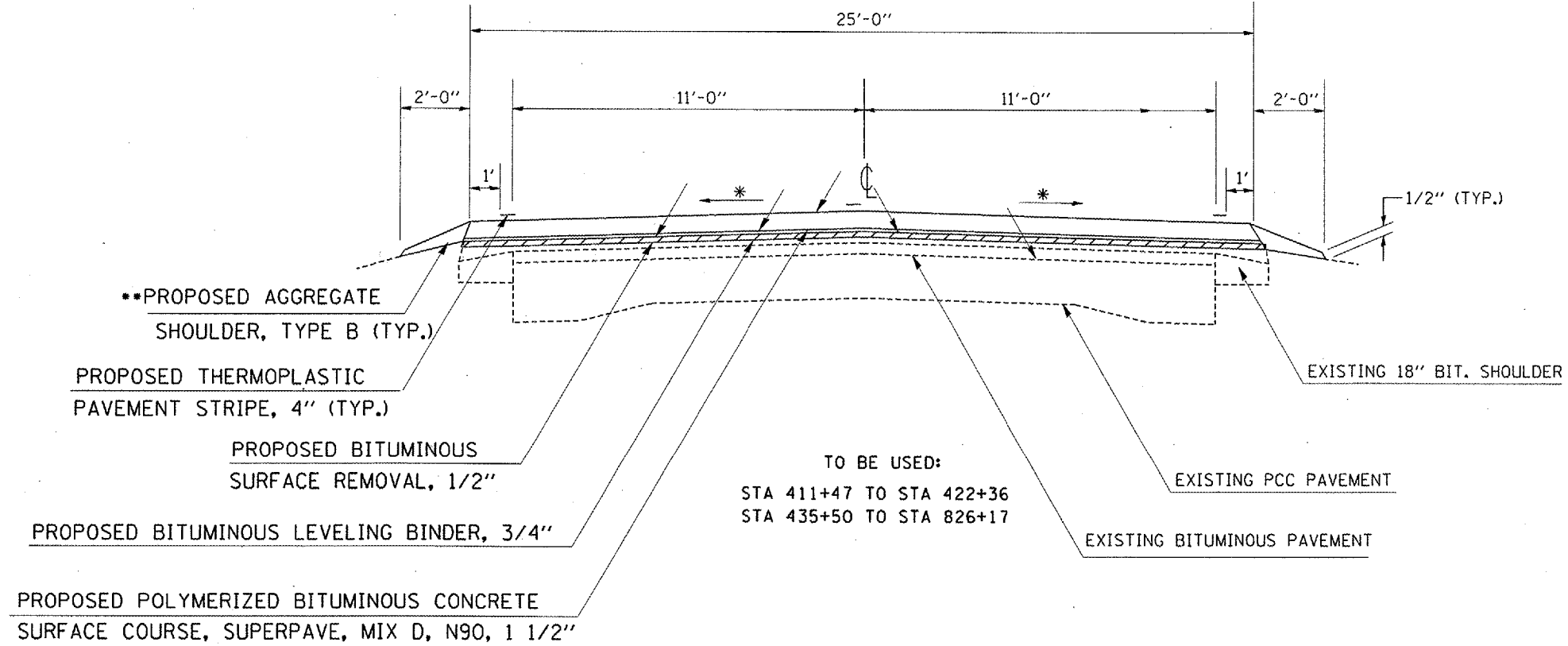
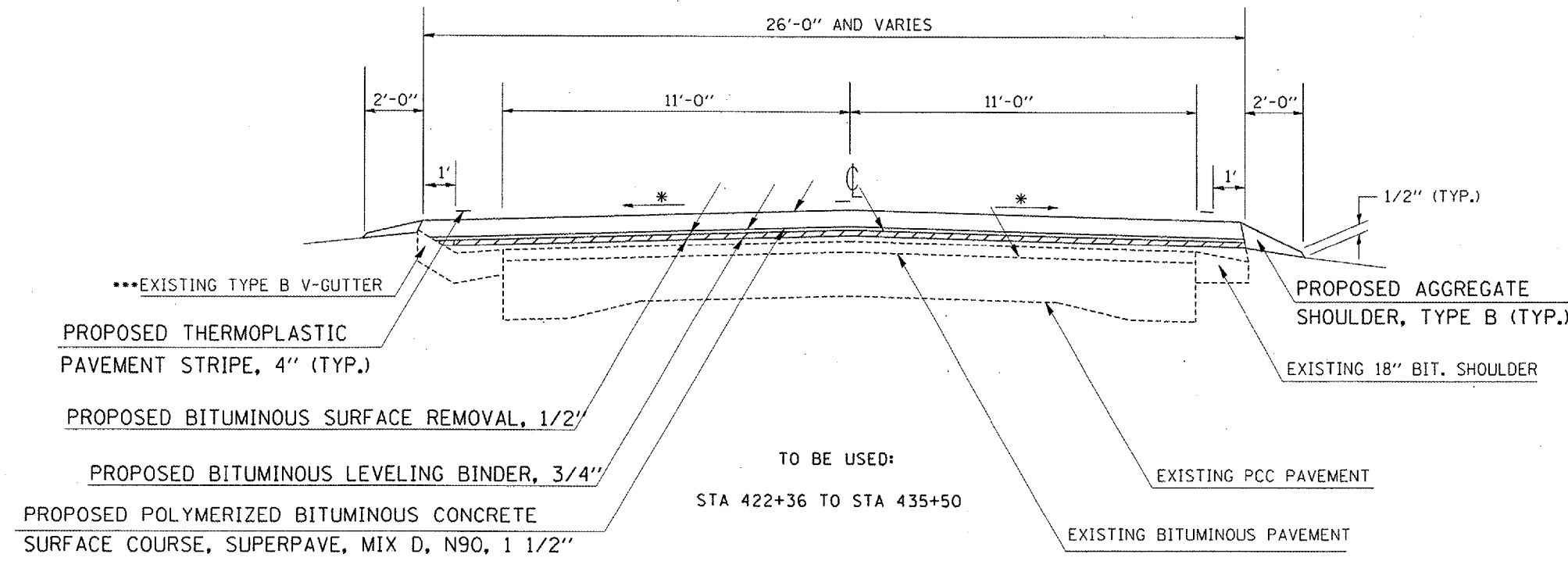


F.A.P. RTE.	SECTION	COUNTY	TOTAL SHEETS	SHEET NO
332	(29, 29X) RS-2	GALLATIN/SALINE	15	6
STA.		TO STA.		
FED. ROAD DIST. NO. _		ILLINOIS	FED. AID PROJECT	
CONTRACT NO. 98942				

TYPICAL SECTION #3
FA 332 (US 45)



TYPICAL SECTION #4
FA 332 (US 45)



- * MATCH EXISTING CROSS SLOPE
- ** AGGREGATE SHOULDER SHALL BE PLACED THROUGH PAVING OMISSION AREA ALSO
- *** REMOVE ALL LOOSE MATERIAL ON TOP OF V-GUTTER PRIOR TO RESURFACING. THIS WORK IS INCLUDED AS PART OF BITUMINOUS SURFACE REMOVAL 1/2"

PLOT DATE = 3/24/2006
 FILE NAME = D:\Program Development\Studies and Plans\Upstairs Design\Projects\US 45 3P-Eldorado\Plans\Plans.dgn
 PLOT SCALE = 1/8"=1'-0" / IN.
 USER NAME = schweizerkb