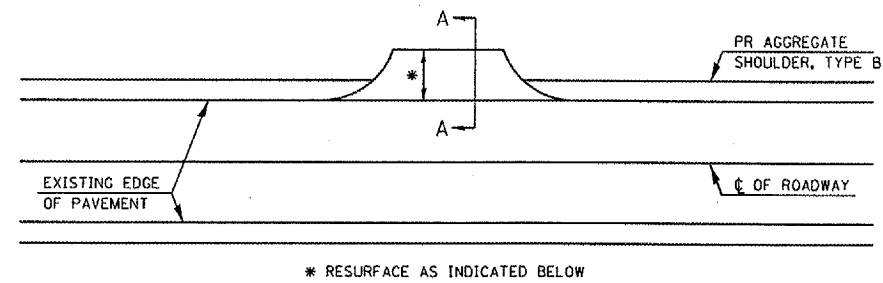


F.A.P. RTE.	SECTION	COUNTY	TOTAL SHEETS	SHEET NO
332	(29, 29X) RS-2	GALLATIN/SALINE	15	14
STA.		TO STA.		
FED. ROAD DIST. NO. _		ILLINOIS	FED. AID PROJECT	
CONTRACT NO. 98942				

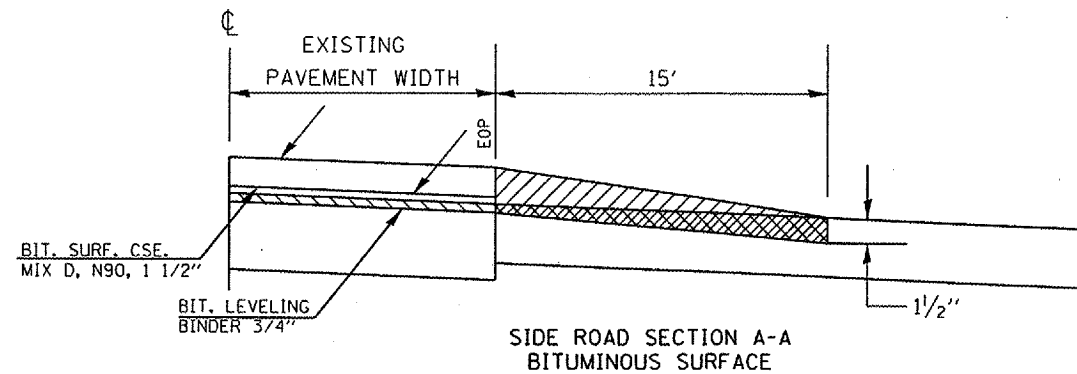
### SIDE ROAD DETAIL



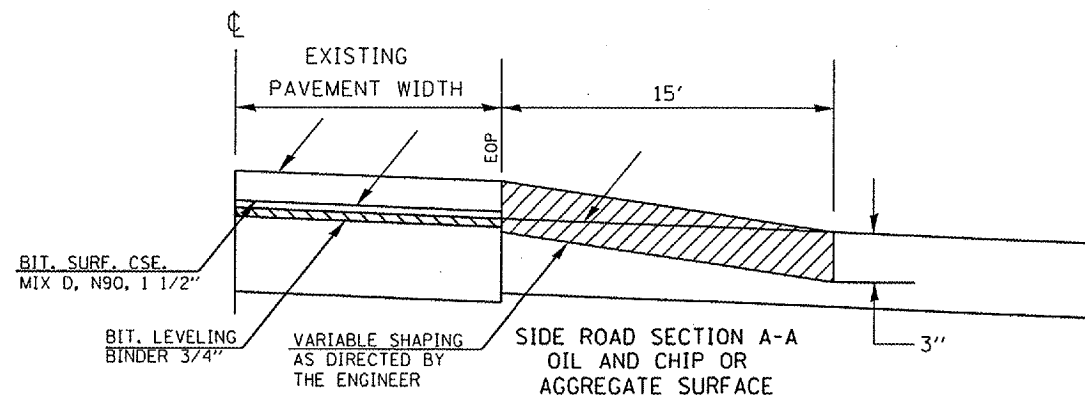
\* RESURFACE AS INDICATED BELOW

#### LEGEND

- INCIDENTAL BITUMINOUS SURFACE
- BIT SURFACE REMOVAL 1/2"
- BIT SURF REM BUTT JOINT



SIDE ROAD SECTION A-A  
BITUMINOUS SURFACE



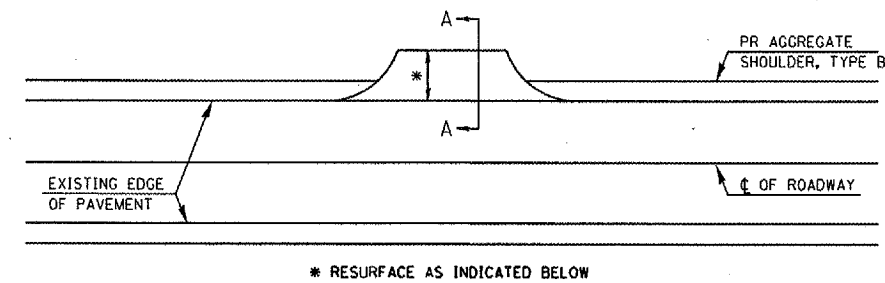
SIDE ROAD SECTION A-A  
OIL AND CHIP OR  
AGGREGATE SURFACE

IF EXISTING SUB-BASE IS INADEQUATE, AS DETERMINED BY THE ENGINEER, THE SIDEROADS SHALL BE CORED OUT AND AGGREGATE SUB-BASE, TYPE B SHALL BE PLACED FOR THE BASE. THE COST OF CORING OUT THE SIDEROAD SHALL BE INCLUDED IN THE COST OF THE AGGREGATE BASE COURSE. IF EXISTING SUB-BASE IS DETERMINED TO BE ADEQUATE, THE AGGREGATE BASE COURSE SHALL BE DELETED AND THE PREPARATION OF THE BASE SHALL BE CONSTRUCTED ACCORDING TO ARTICLE 406.19.

VARIABLE SHAPING IS INCLUDED IN THE COST OF INCIDENTAL BITUMINOUS SURFACING

THE ABOVE QUANTITIES HAVE BEEN INCLUDED IN THE SUMMARY OF QUANTITIES.

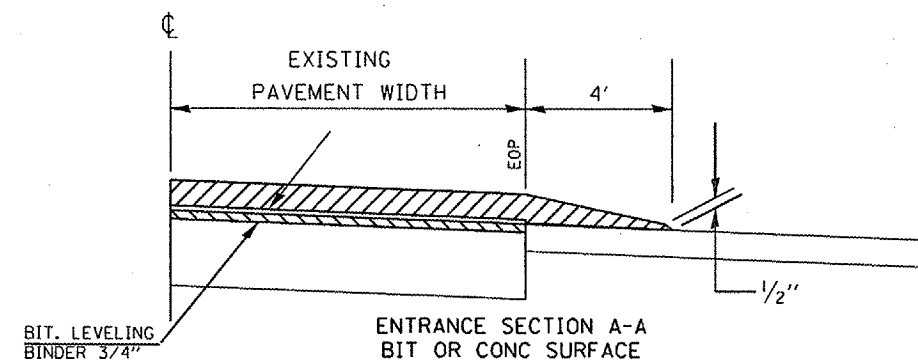
### ENTRANCE DETAIL



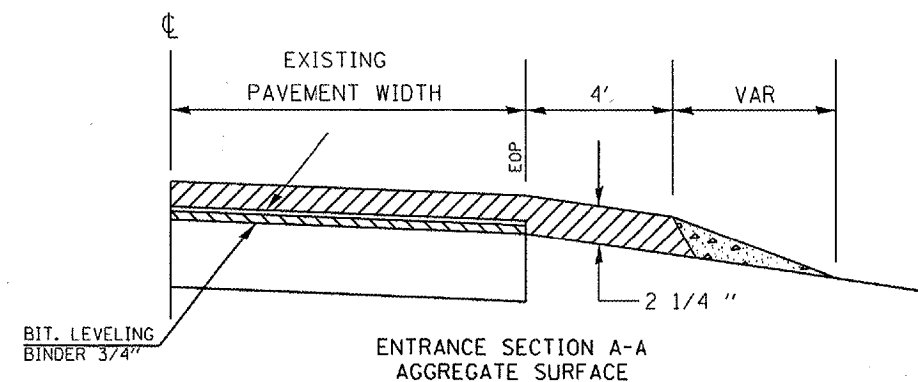
\* RESURFACE AS INDICATED BELOW

#### LEGEND

- BIT SURF CSE, SUPER, MIX D, N90
- BIT SURFACE REMOVAL 1/2"
- AGG WEDGE



ENTRANCE SECTION A-A  
BIT OR CONC SURFACE



ENTRANCE SECTION A-A  
AGGREGATE SURFACE