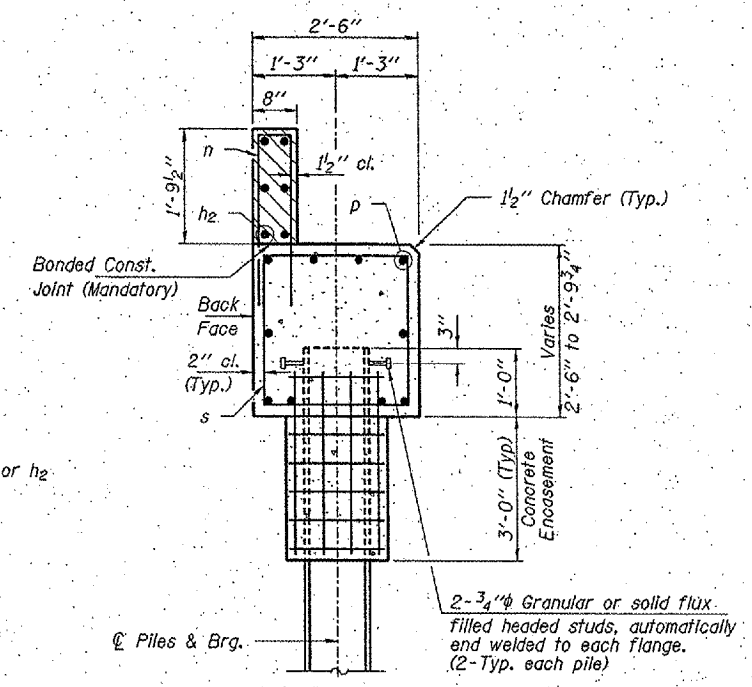
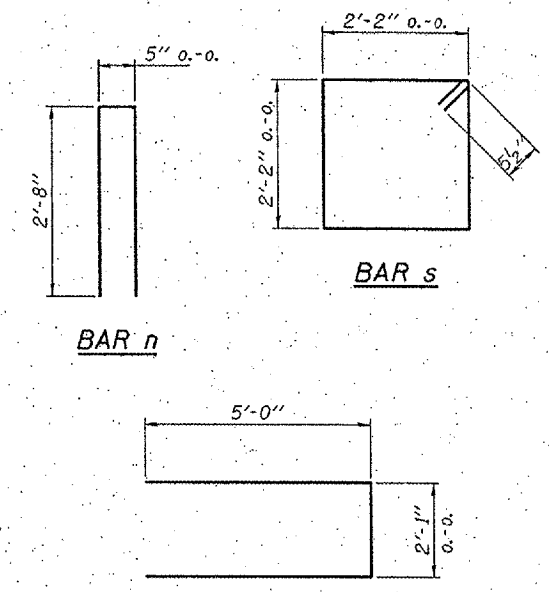


**PLAN**

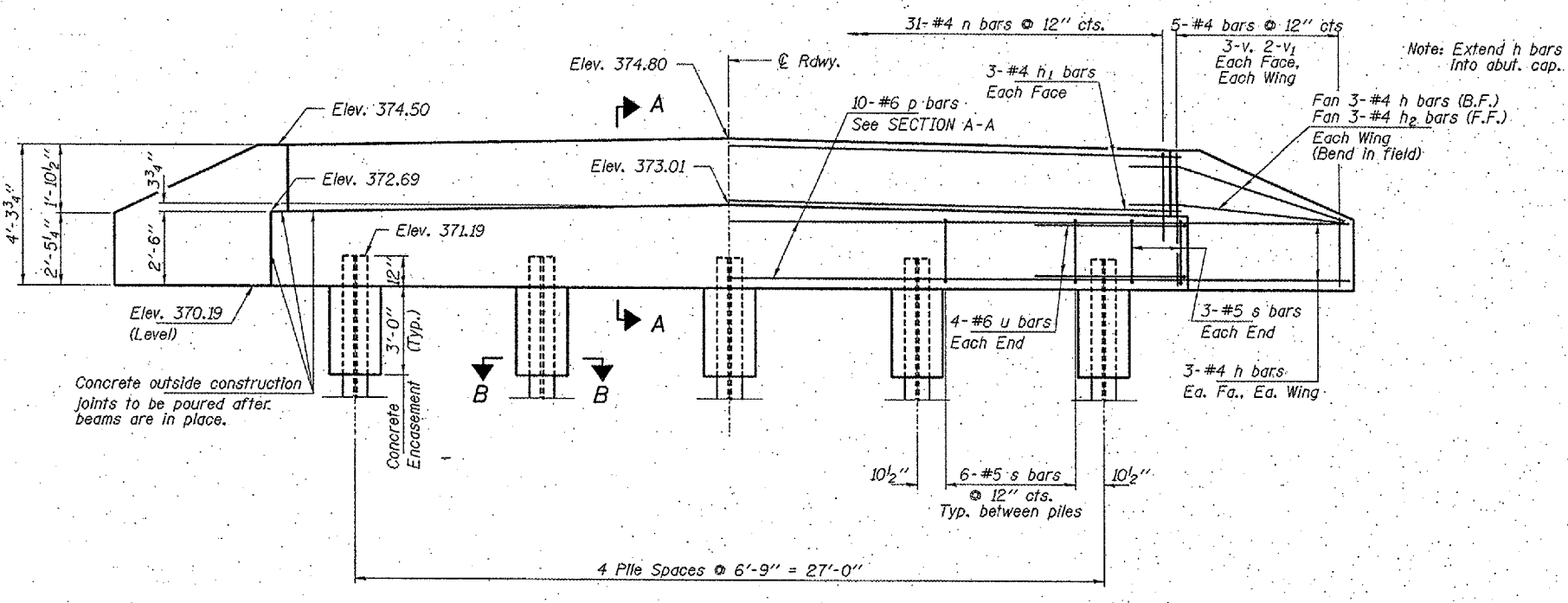


**SECTION A-A**

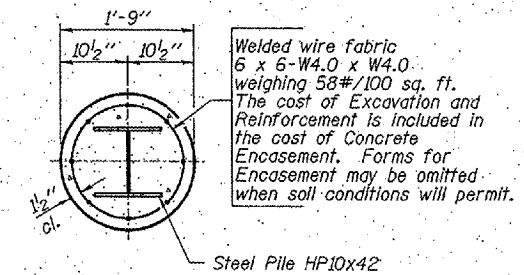
Hatched area to be poured after beams are in place.



**BAR u**



**ELEVATION**  
(Looking East)



**SECTION B-B**

Note: Extend h bars into abut. cap.

**BILL OF MATERIAL - E. ABUT.**

BAR	NO.	SIZE	LENGTH	SHAPE
h	18	#4	5'-6"	—
h1	6	#4	31'-2"	—
h2	6	#4	4'-6"	—
n	31	#4	5'-9"	□
p	10	#6	31'-2"	—
s	30	#5	9'-7"	□
u	8	#6	12'-1"	—
v	12	#4	3'-6"	—
v1	8	#4	2'-6"	—
Concrete Structures			Cu. Yd.	10.2
Stud Shear Connectors			Each	10
Reinforcement Bars			Pound	1,280
Steel Piles HP 10x42			Foot	350
Concrete Encasement			Cu. Yd.	1.3

**PILE DATA**

Type.....Steel HP 10x42  
 No. Req'd.....5  
 Capacity.....Drive to Refusal  
 Est. Length.....70 Feet/Pile

**HAMPTON, LENZINI & RENWICK, INC.**  
 CIVIL & STRUCTURAL ENGINEERS

3085 STEVENSON DRIVE, SUITE 201  
 SPRINGFIELD, ILLINOIS 62703  
 (217) 546-3400

**ELGIN • SPRINGFIELD**

PROJECT NUMBER: 12-47-0017-1    DATE: 05/15/06  
 DESIGNED: S.M.S.    CHECKED: S.W.M.    DRAWN: D.T.M.

**EAST ABUTMENT**  
 SECTION 04-02119-00-BR  
 CARBONDALE ROAD DISTRICT  
 JACKSON COUNTY  
 STATION 9+96 / STRUCTURE NO. 039-3255