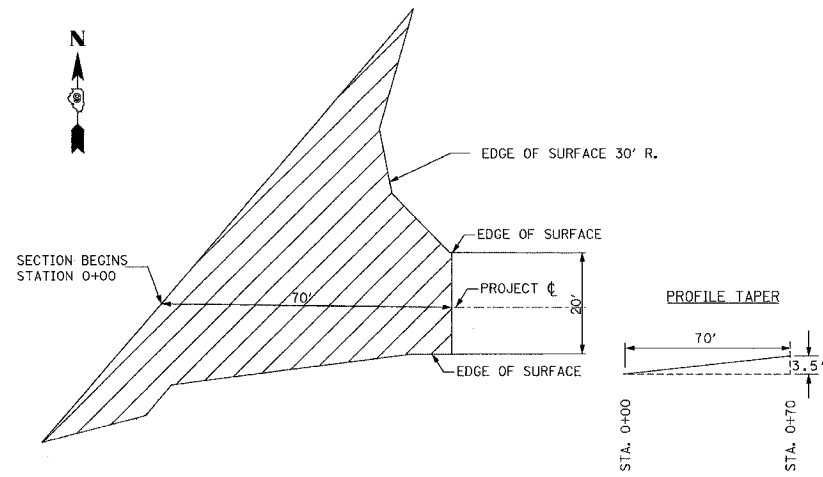


DETAILS OF SURFACING AT INTERSECTIONS AND SIDEROADS

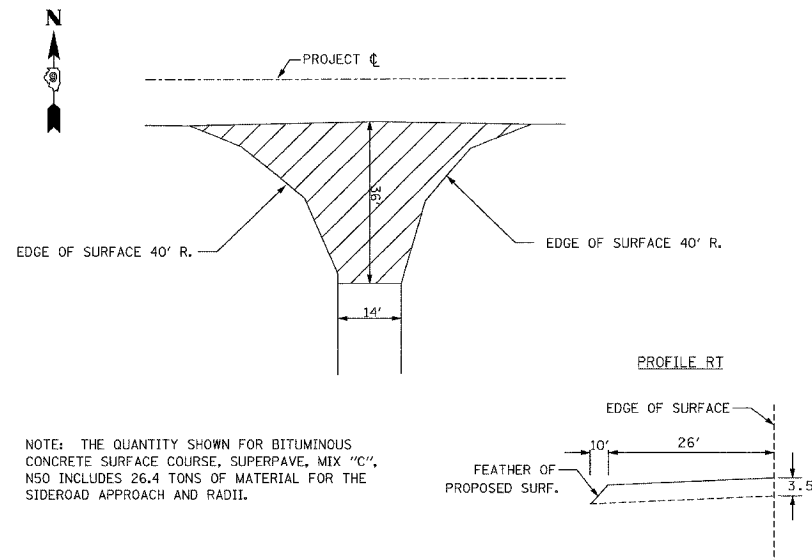
F.A.S.	SECTION	COUNTY	TOTAL SHEETS	SHEET NO.
1616	06-00099-00-RS	WHITE	4	3
FD. ROAD DIST. NO. 1		ILLINOIS	NORRIS CITY RESERVOIR	
LEC JOB # H05I019WH				

DETAIL OF TAPER STA. 0+00 TO STA 0+70



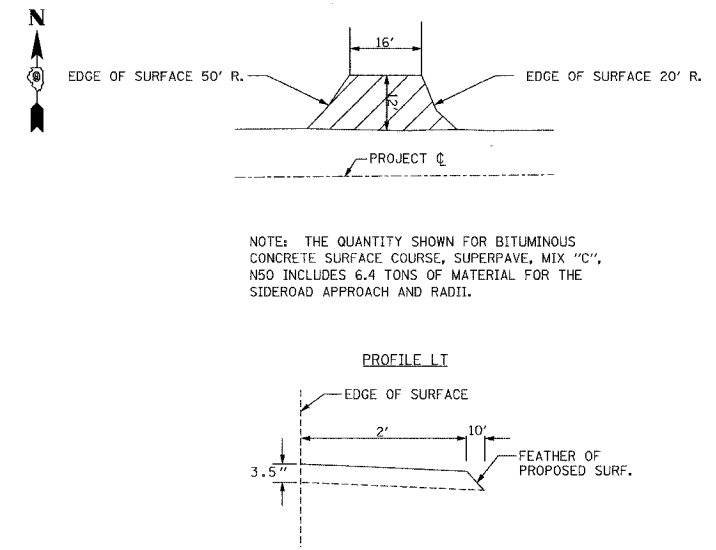
NOTE: THE QUANTITY SHOWN FOR BITUMINOUS CONCRETE SURFACE COURSE, SUPERPAVE, MIX "C", NSO INCLUDES 67.7 TONS OF MATERIAL FOR THE TAPER FROM STATION 0+00 TO STATION 0+70.

DETAIL OF INTERSECTION RT. STA. 65+76



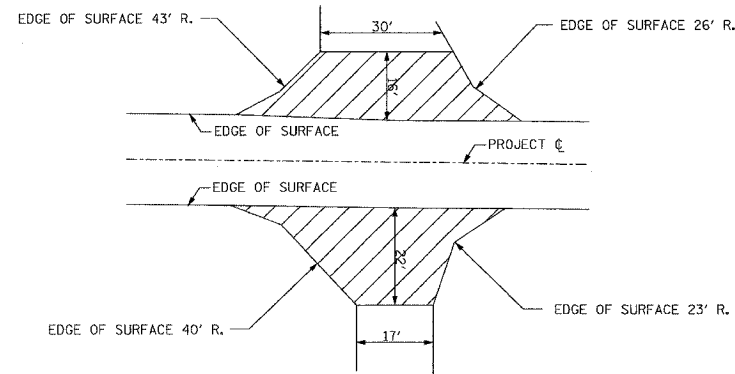
NOTE: THE QUANTITY SHOWN FOR BITUMINOUS CONCRETE SURFACE COURSE, SUPERPAVE, MIX "C", NSO INCLUDES 26.4 TONS OF MATERIAL FOR THE SIDEROAD APPROACH AND RADII.

DETAIL OF INTERSECTION LT. STA. 78+97

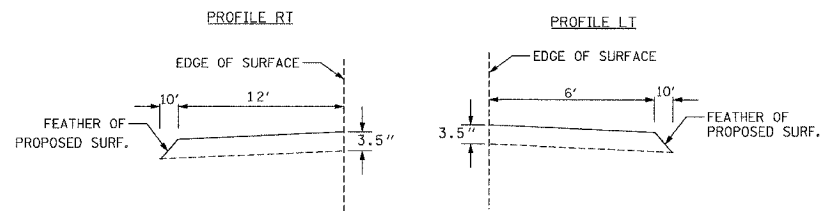


NOTE: THE QUANTITY SHOWN FOR BITUMINOUS CONCRETE SURFACE COURSE, SUPERPAVE, MIX "C", NSO INCLUDES 6.4 TONS OF MATERIAL FOR THE SIDEROAD APPROACH AND RADII.

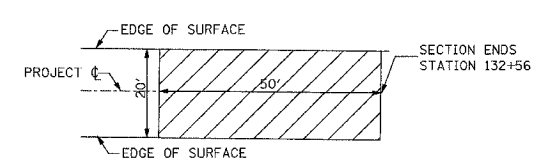
DETAIL OF INTERSECTION RT. & LT. STA. 92+19



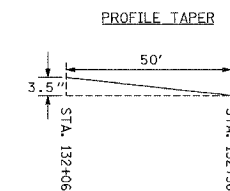
NOTE: THE QUANTITY SHOWN FOR BITUMINOUS CONCRETE SURFACE COURSE, SUPERPAVE, MIX "C", NSO INCLUDES 14.9 TONS OF MATERIAL FOR THE SIDEROAD LT APPROACH AND RADII AND 16.3 TONS OF MATERIAL FOR THE SIDEROAD RT. APPROACH AND RADII.



DETAIL OF TAPER STA. 132+06 TO STA 132+56



NOTE: THE QUANTITY SHOWN FOR BITUMINOUS CONCRETE SURFACE COURSE, SUPERPAVE, MIX "C", NSO INCLUDES 10.9 TONS OF MATERIAL FOR THE TAPER FROM STATION 132+06 TO STATION 132+56.



323 W. 3RD ST.  
P.O. BOX 160  
MT. CARMEL, IL  
62863  
PHONE: (618)-262-8651  
FAX: (618)-263-3327

405 W. STATE ST.  
SUITE 1  
PRINCETON, IN  
47670  
PHONE: (812)-386-7611  
FAX: (812)-385-2812



PROFESSIONAL DESIGN FIRM  
LAND SURVEY & PROFESSIONAL ENGINEERING CORPORATION  
184-000887  
(62-032435)(95-002769)



AARON M. MEFFORD  
NAME  
Signature  
5-09-07  
DATE  
11-30-07  
EXPIRES