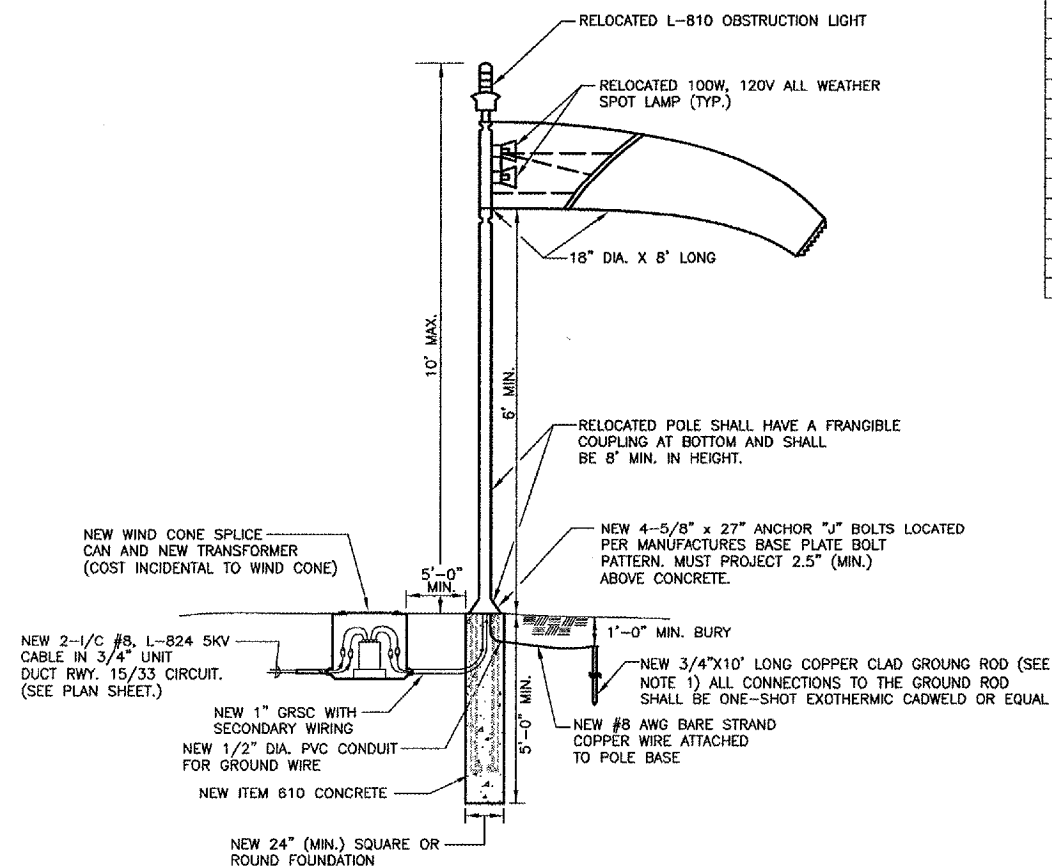


SUMMARY OF QUANTITIES

ITEM No.	DESCRIPTION	UNIT	RUNWAY 33 ILS		RUNWAY 9 LOCALIZER RELOC.		TOTAL	
			ESTIMATED	RECORD	ESTIMATED	RECORD	ESTIMATED	RECORD
AR107960	RELOCATE WINDCONE	EACH	1				1	
AR108082	1/C #2 XLP-USE	LF	225		60		285	
AR108158	1/C #8 5 KV UG CABLE IN UD	LF	850				850	
AR110212	2" STEEL DUCT, DIRECT BURY	LF	130				130	
AR110214	4" STEEL DUCT, DIRECT BURY	LF	76				76	
AR110314	4" STEEL DUCT, JACKED	LF	172				172	
AR110550	SPLIT DUCT	LF	18				18	
AR125565	SPLICE CAN	EACH	1		1		2	
AR125907	REMOVE REILS	PAIR	1				1	
AR125942	ADJUST BASE MOUNTED LIGHT	EACH	8				8	
AR125968	RELOCATE PAPI	EACH	1				1	
AR127410	LOCALIZER	LS	1				1	
AR127415	DME	LS	1				1	
AR127420	GLIDESLOPE	LS	1				1	
AR127430	SHELTER BUILDING	EACH	3		1		4	
AR127450	MALSR INSTALLATION	LS	1				1	
AR127903	REMOVE SHELTER BUILDING	EACH			1		1	
AR127961	RELOCATE LOCALIZER	LS			1		1	
AR150510	ENGINEER'S FIELD OFFICE	LS	1				1	
AR151410	CLEARING	ACRE	0.50				1	
AR152410	UNCLASSIFIED EXCAVATION	CY	5,700		530		6,230	
AR156510	SILT FENCE	LF	5,000				5,000	
AR156513	SEPARATION FABRIC	SY	8,050		625		8,675	
AR156520	INLET PROTECTION	EACH	3				3	
AR162506	CLASS E FENCE 6"	LF	410				410	
AR162716	ELECTRIC GATE - 16"	EACH	1				1	
AR209606	CRUSHED AGG. BASE COURSE - 6"	SY	1,460		225		1,685	
AR209608	CRUSHED AGG. BASE COURSE - 8"	SY	6,590		400		6,990	
AR401610	BITUMINOUS SURFACE COURSE	TON	90		10		100	
AR602510	BITUMINOUS PRIME COAT	GAL	80		10		90	
AR620520	PAVEMENT MARKING - WATERBORNE	SF	38,100				38,100	
AR620525	PAVEMENT MARKING - BLACK BORDER	SF	7,525				7,525	
AR701218	18" CMP	LF			47		47	
AR701224	24" CMP	LF	72				72	
AR701900	REMOVE PIPE	LF	72		45		117	
AR705900	REMOVE UNDERDRAIN	LF	50				50	
AR752218	METAL END SECTION 18"	EACH			2		2	
AR752224	METAL END SECTION 24"	EACH	4				4	
AR800025	3-1/C #4 XLP-USE, 1/C #8 GND. IN UD	LF	185				185	
AR800030	ILS POWER MODIFICATIONS	LS	1				1	
AR800033	TREE CLEARING AND GRUBBING (6" - 15")	IN-DIA	12				12	
AR800034	TREE CLEARING AND GRUBBING (+15")	IN-DIA	165				165	
AR800101	DELINEATOR	EACH			3		3	
AR800119	REMOVE GRAVEL	CY			1,440		1,440	
AR800123	CABLE BARRIER GATE	EACH			1		1	
AR800124	ADJUST GLIDESLOPE	LS	1				1	
AR800127	RELOCATE GATE	EACH	1				1	
AR800145	LOCALIZER GROUND CHECK POINT	EACH	4		2		6	
AR800158	3-1/C #6 XLP-USE 600V, 1/C #8 GND IN UD	LF			950		950	
AR901510	SEEDING	ACRE	33.0		10.0		43.0	
AR908510	MULCHING	ACRE	33.0		10.0		43.0	
AR910420	BOLLARD	EACH	6		2		8	

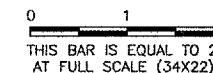


RELOCATED EXTERNALLY LIGHTED WIND CONE AND BASE DETAIL

NOT TO SCALE

REVISIONS

NUMBER	BY	DATE



**AURORA MUNICIPAL AIRPORT
 AURORA, ILLINOIS
 CONSTRUCT RUNWAY 33 ILS,
 RELOCATE RUNWAY 9 LOCALIZER**

SUMMARY OF QUANTITIES

© Copyright CMT, Inc.
CMT
 CRAWFORD, MURPHY & TULLY, INC.
 CONSULTING ENGINEERS
 License No. 864-000518

DESIGN BY:	CAL
DRAWN BY:	JRO
CHECKED BY:	CAL
APPROVED BY:	
DATE:	05/12/06
JOB No:	04285-04
ILLINOIS PROJECT:	ARR-3468
A.I.P. PROJECT:	3-17-0003-B31
FINAL SUBMITTAL	
SHEET	3 OF 67 SHEETS