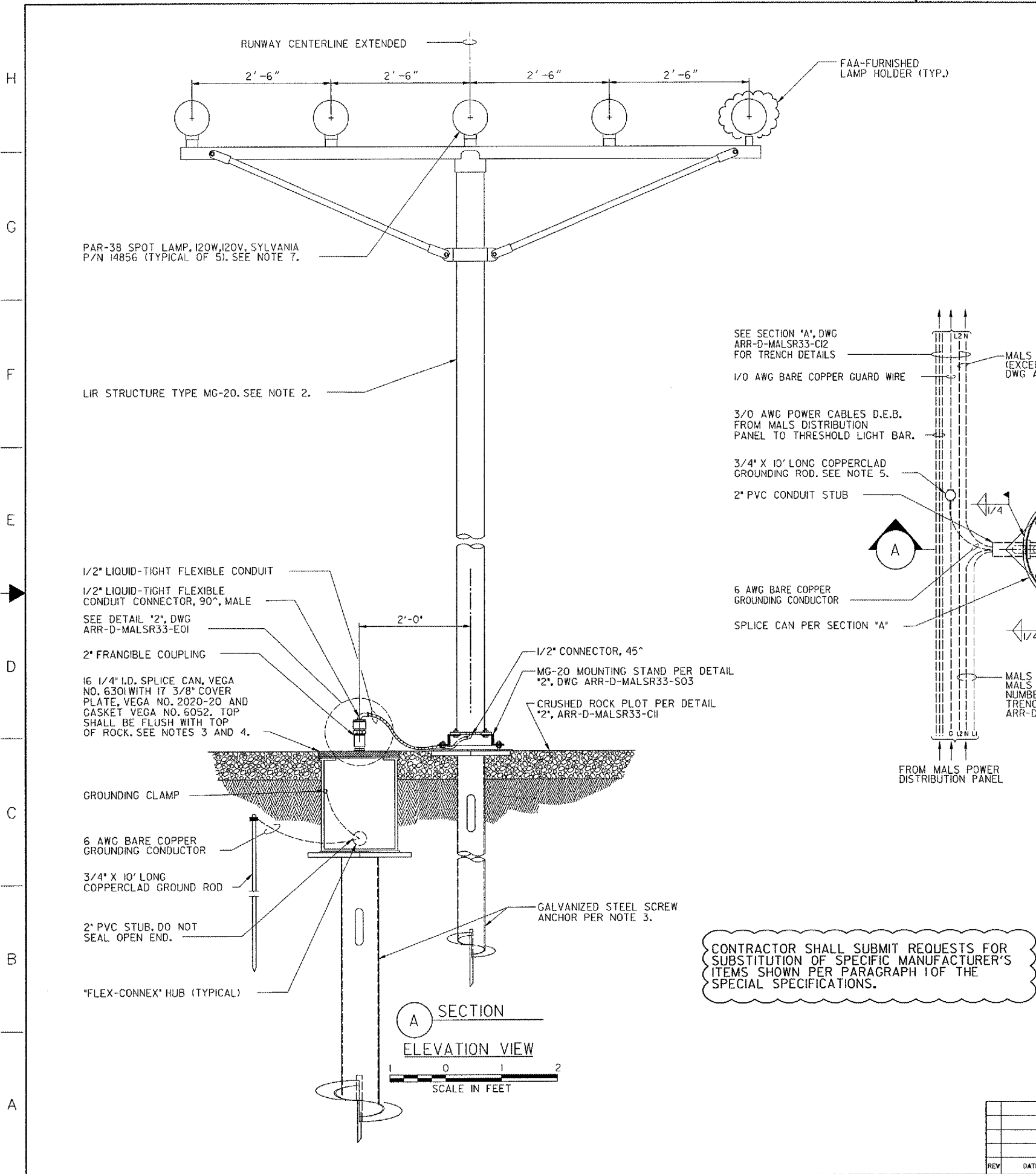


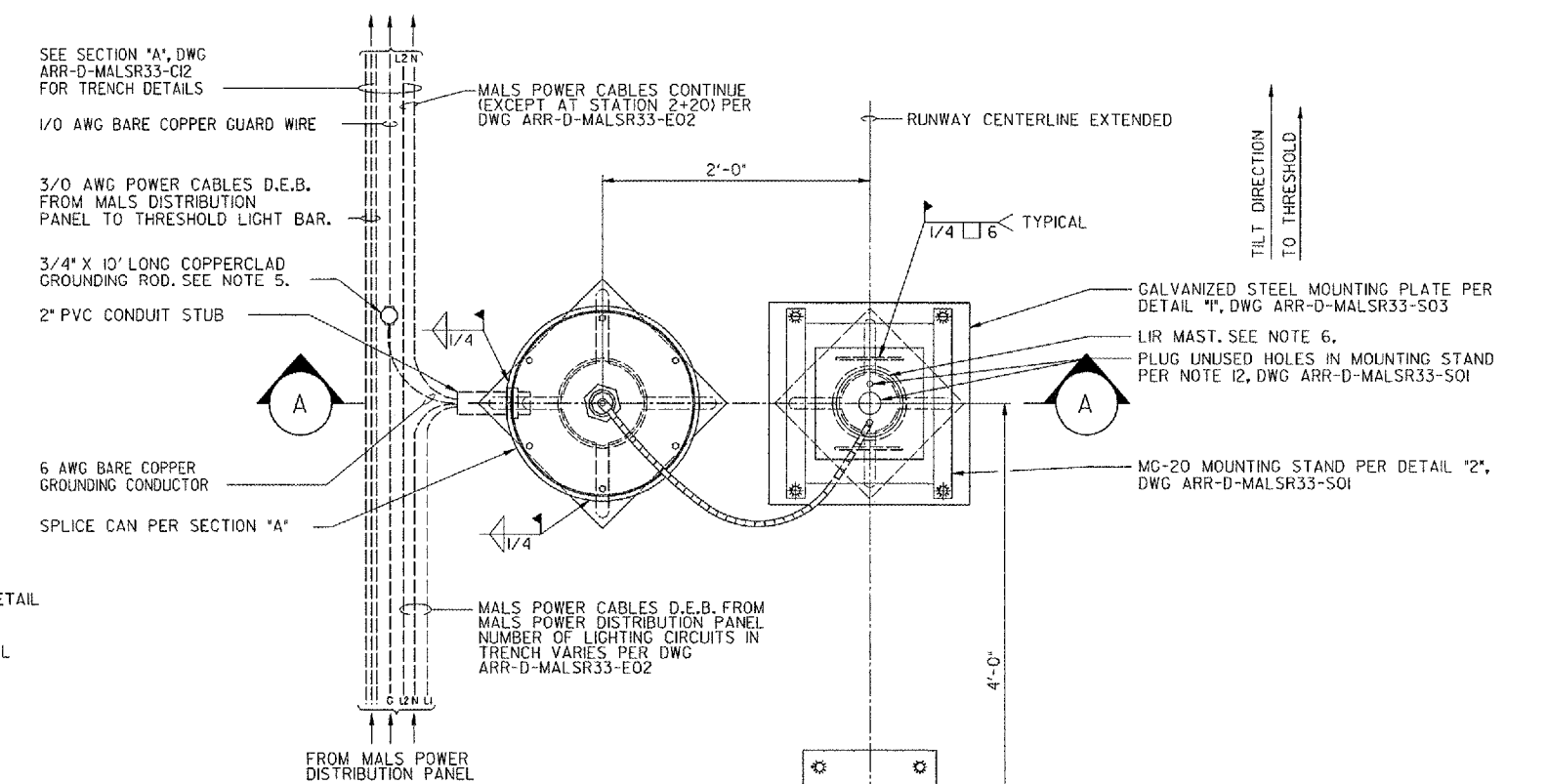
THIS DRAWING PRODUCED ON THE GREAT LAKES REGION MICROSTATION SYSTEM

8 7 6 5 4 3 2 1



NOTES:

- SEE DWG ARR-D-MALSR33-C01 FOR LAMP CENTERLINE AND FOUNDATION TOP ELEVATIONS.
- LIR STRUCTURE SHALL PIVOT TOWARD THE RUNWAY THRESHOLD. SEE NOTE 1, DWG ARR-D-MALSR33-S01 FOR LIR TUBE CUTTING LENGTH CALCULATION AND MG-20 LIR STRUCTURE ASSEMBLY DETAILS.
- SCREW ANCHOR FOUNDATIONS SHALL CONSIST OF A.B. CHANCE "INSTANT" FOUNDATIONS, CAT. NO. CT112-0262 FOR LIR TOWER AND WINCH FOUNDATIONS, AND CAT. NO. C112-42NG4VP FOR SPLICE CAN FOUNDATION. SEE SPECIFICATION FAA-GL-918C, SECTION 13B FOR INSTRUCTIONS REGARDING INSTALLATION OF THE ANCHORS.
- EXCAVATE 2' DEEP HOLE AT TRANSFORMER HOUSING LOCATION SHOWN, DRIVE SCREW ANCHOR SUCH THAT TOP OF PLATE IS 20" BELOW FINISHED GRADE, WELD TRANSFORMER HOUSING BASE TO THE TOP OF THE ANCHOR MOUNTING PLATE AS SHOWN, WITH FLEX-CONNEX GROMMETS ORIENTED PROPERLY.
- ALL CONNECTIONS TO GROUNDING RODS SHALL BE MADE USING EXOTHERMIC WELDS PER SPECIFICATIONS.
- FOUNDATION SHALL BE CONSTRUCTED SUCH THAT LIR MAST IS CENTERED AT THE RUNWAY STATION SHOWN ON DWG ARR-D-MALSR33-C01.
- SEE DETAILS "3" AND "5", DWG ARR-D-MALSR33-E01 FOR LIR LIGHT BAR WIRING AND LAMP HOLDER INSTALLATION DETAILS.



CONTRACTOR SHALL SUBMIT REQUESTS FOR SUBSTITUTION OF SPECIFIC MANUFACTURER'S ITEMS SHOWN PER PARAGRAPH 1 OF THE SPECIAL SPECIFICATIONS.

SHEET 28 OF 67

DEPARTMENT OF TRANSPORTATION
FEDERAL AVIATION ADMINISTRATION
GREAT LAKES REGION CHICAGO, ILLINOIS

MALSR

FOUNDATION DETAILS FOR STEADY-BURNING LIGHT BAR AT STATION 2+20, STATION 4+40, AND STATION 6+60

REVIEWED BY	SUBMITTED BY	APPROVED BY
PROJ ENGR, TIMOTHY DYER	PLATFORM MGR, CLELAND MICHEEL	
DESIGNED BY	ISSUED BY	DATE
DRAWN	TAD	02/21/2006
CHECKED	EGS	
	CHICAGO NAS IMPLEMENTATION CENTER	DRAWING NO
		ARR-D-MALSR33-C05

REV	DATE	DESCRIPTION	JCN	REDLINE DATE	APVD

K:\Aurora\0428504\Draw\Sheets\FAA_ILS\DOT\mod_5-10-06\ARR-D-MALSR33-C05.dgn
5/10/2006 5:18:26 PM BNAME
40058

8 7 6 5 4 3 2 1

SHEET OF