

THIS DRAWING PRODUCED ON THE GREAT LAKES REGION MICROSTATION SYSTEM

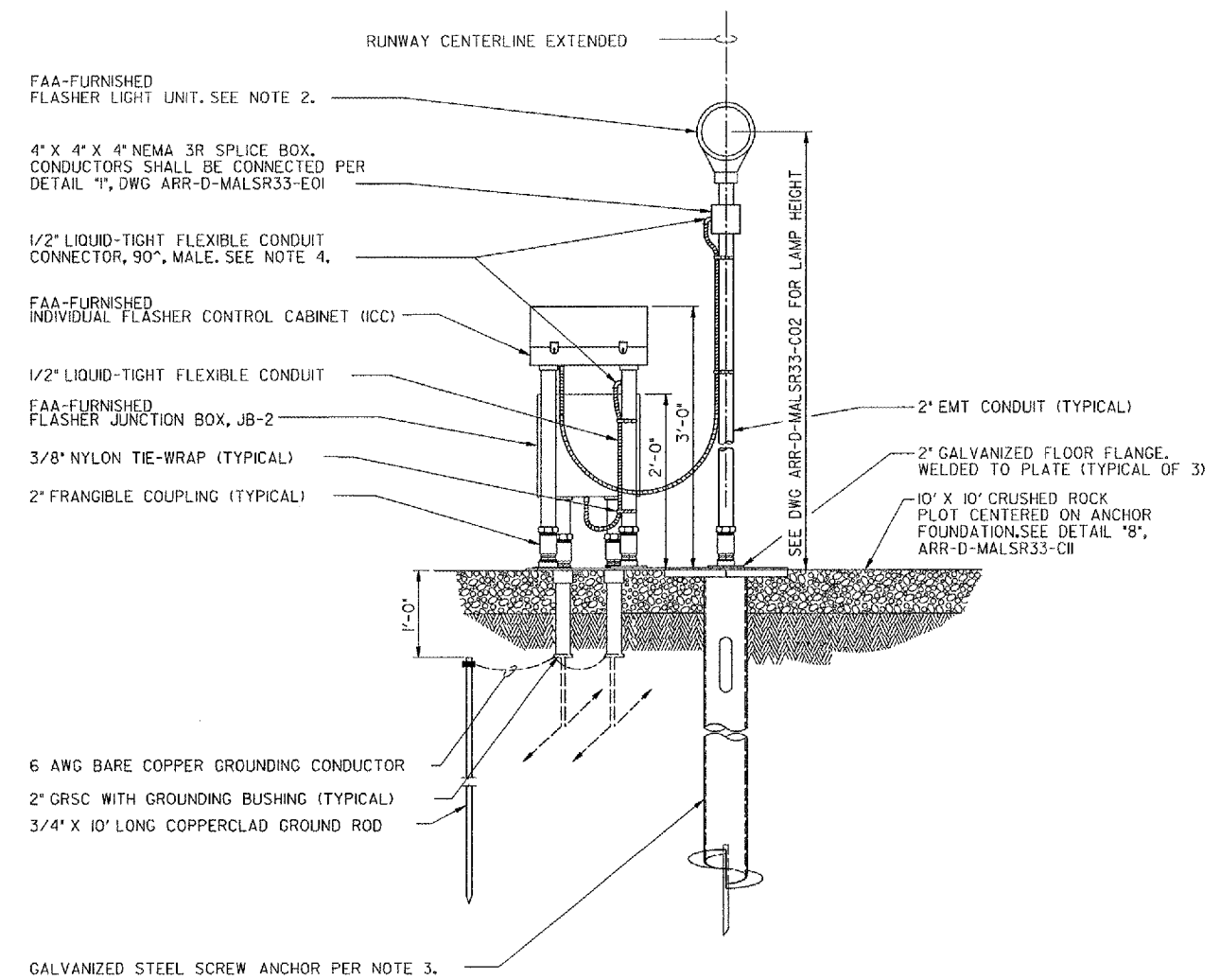
8 7 6 5 4 3 2 1

H  
G  
F  
E  
D  
C  
B  
A

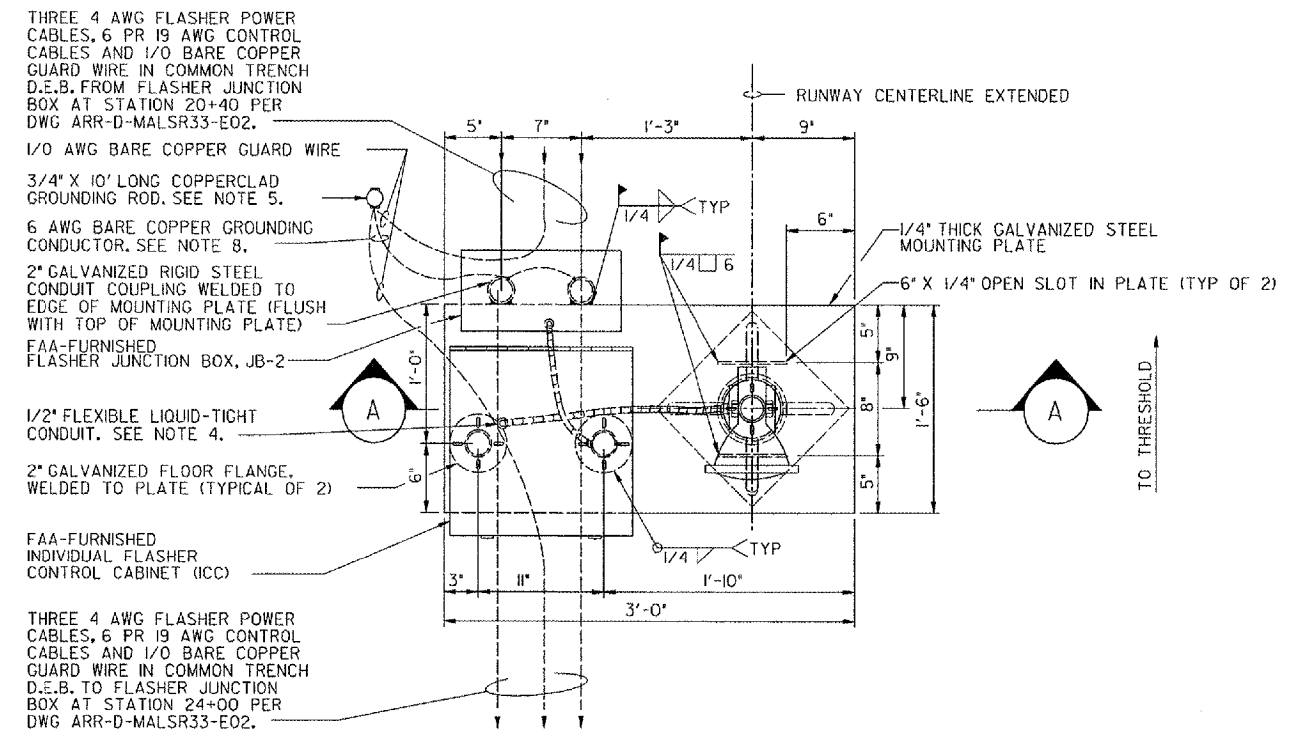
H  
G  
F  
E  
D  
C  
B  
A

**NOTES:**

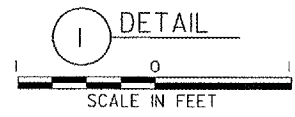
1. SEE DWG ARR-D-MALSR33-C02 FOR LAMP CENTERLINE AND FOUNDATION TOP ELEVATIONS.
2. SEE DWG ARR-D-MALSR33-E03 FOR FLASHER WIRING AND LAMPHOLDER INSTALLATION DETAILS.
3. SCREW ANCHOR FOUNDATION SHALL BE A.B. CHANGE CAT. NO. CTH2-Q262 'INSTANT' FOUNDATION, SEE SPECIFICATION FAA-GL-918C, SECTION 13B FOR INSTRUCTIONS REGARDING INSTALLATION OF THE ANCHOR.
4. DRILL HOLE IN SIDE OF 2" EMT CONDUIT LEG OF ICC AND INSTALL 90° 1/2" FLEX CONDUIT CONNECTOR WITH 1/2" FLEX CONDUIT FROM JUNCTION BOX. ROUTE POWER AND CONTROL CABLES THROUGH FLEX CONDUIT, INTO EMT LEG AND INTO ICC. SEAL PENETRATION USING SILICONE SEALER.
5. ALL CONNECTIONS TO GROUNDING RODS SHALL BE MADE USING EXOTHERMIC WELDS PER SPECIFICATIONS.
6. FOUNDATION SHALL BE CONSTRUCTED SUCH THAT THE FLASHER IS CENTERED AT THE RUNWAY STATION SHOWN ON DWG ARR-D-MALSR33-C02.



**A SECTION**  
ELEVATION VIEW  
SCALE IN FEET



**PLAN**  
FOUNDATION LAYOUT FOR MALSR FLASHER  
NOTE: STATION 22+20 IS SHOWN ABOVE, STATION 24+00 IS TYPICAL



CONTRACTOR SHALL SUBMIT REQUESTS FOR SUBSTITUTION OF SPECIFIC MANUFACTURER'S ITEMS SHOWN PER PARAGRAPH 1 OF THE SPECIAL SPECIFICATIONS.

REV	DATE	DESCRIPTION	JCN	REDLINE DATE	APPR

SHEET 33 OF 67

DEPARTMENT OF TRANSPORTATION  
FEDERAL AVIATION ADMINISTRATION  
GREAT LAKES REGION CHICAGO, ILLINOIS

MALSR  
FOUNDATION DETAILS FOR FLASHER  
AT STATIONS 22+20 AND 24+00

AURORA		AURORA MUNICIPAL AIRPORT		IL
REVIEWED BY	SUBMITTED BY	APPROVED BY		
PROJ ENGR, <i>TIMOTHY DYER</i>	PLATFORM MGR, <i>CLELAND MICHEEL</i>			
DESIGNED	TAD	ISSUED BY	DATE	JCN
			02/27/2006	
DRAWN	TAD	CHICAGO NAS IMPLEMENTATION CENTER	DRAWING NO	
			ARR-D-MALSR33-C10	
CHECKED	ECS			

8 7 6 5 4 3 2 1

K:\Aurora\0428504\Drawings\Sheets\AA ES DON.mxd 5-10-06\ARR-D-MALSR33-C02.dgn  
5/10/2006 9:20:07 PM #NAME#  
#REV#