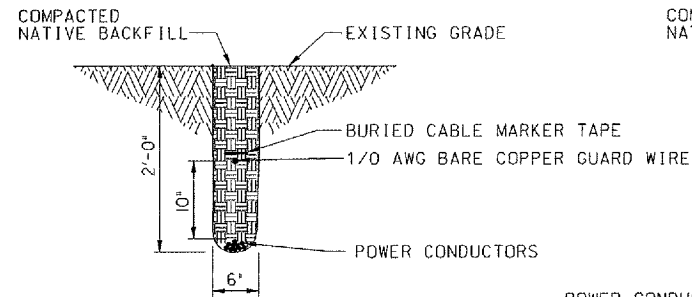


THIS DRAWING PRODUCED ON THE GREAT LAKES REGION MICROSTATION SYSTEM

8 7 6 5 4 3 2 1

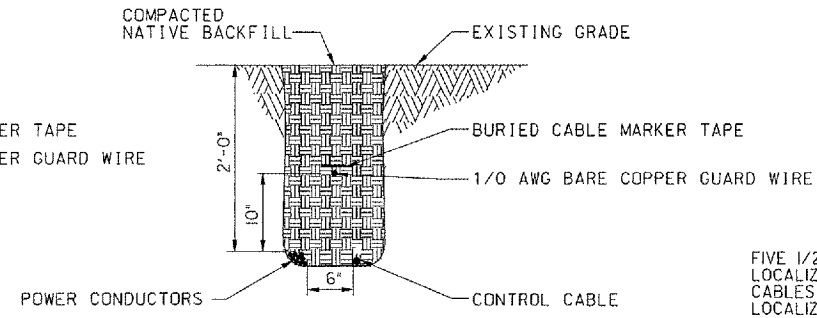
H
G
F
E
D
C
B
A

H
G
F
E
D
C
B
A



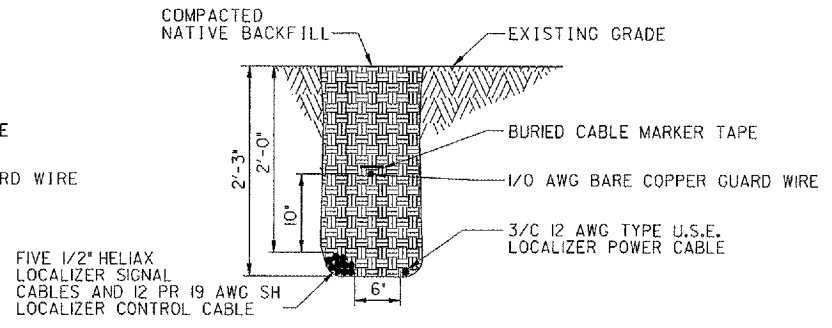
TYPICAL D.E.B. TRENCH FOR POWER CABLES

(A) SECTION



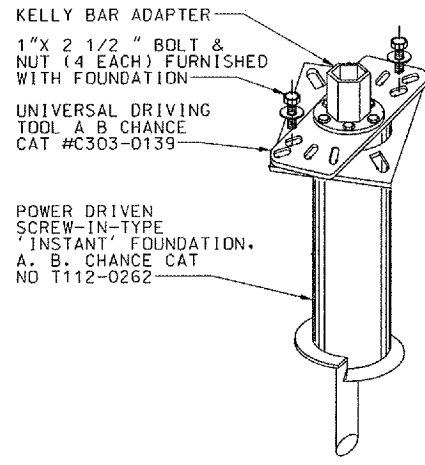
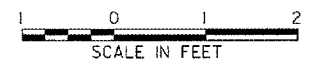
TYPICAL D.E.B. TRENCH FOR POWER AND CONTROL CABLES IN COMMON TRENCH

(B) SECTION

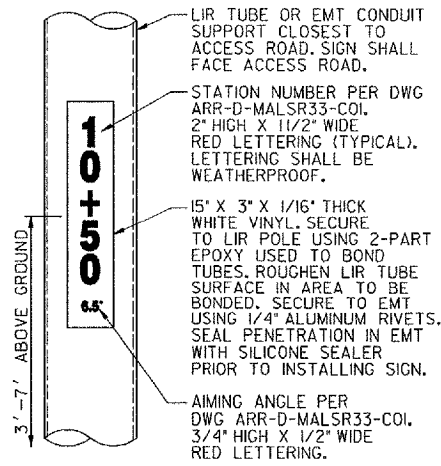


TYPICAL D.E.B. TRENCH FOR POWER AND CONTROL CABLES IN COMMON TRENCH TO LOCALIZER ANTENNA

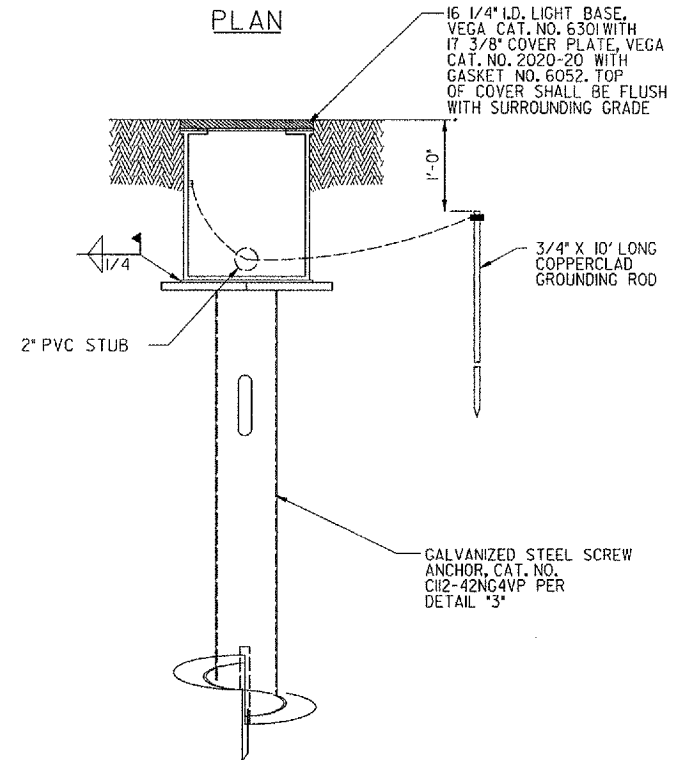
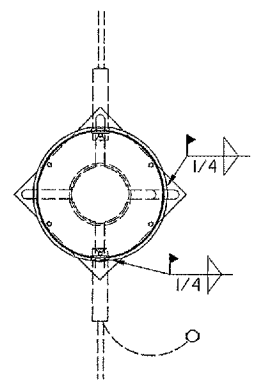
(C) SECTION



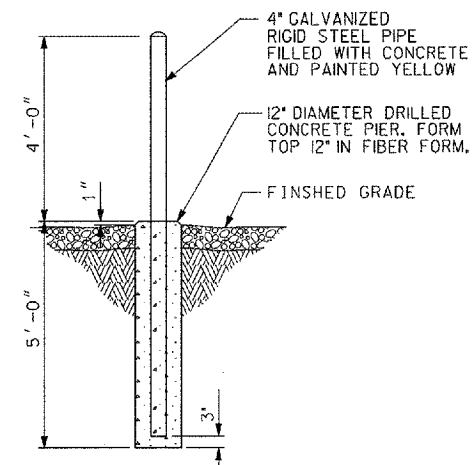
1 DETAIL NOT TO SCALE
GALVANIZED STEEL SCREW ANCHOR FOUNDATION ADAPTATION TO POWER DRIVING EQUIPMENT (SEE SECTION 13D OF SPECIFICATION FAA-GL-918C)



4 DETAIL NOT TO SCALE
STATION NUMBER AND AIMING ANGLE IDENTIFICATION



5 DETAIL NOT TO SCALE
SPLICE CAN INSTALLATION



2 DETAIL NOT TO SCALE
BOLLARD

CONTRACTOR SHALL SUBMIT REQUESTS FOR SUBSTITUTION OF SPECIFIC MANUFACTURER'S ITEMS SHOWN PER PARAGRAPH 1 OF THE SPECIAL SPECIFICATIONS.

REV	DATE	DESCRIPTION	JCN	REDLINE DATE	APVD

SHEET 35 OF 67

DEPARTMENT OF TRANSPORTATION
FEDERAL AVIATION ADMINISTRATION
GREAT LAKES REGION CHICAGO, ILLINOIS

MALSR

MISCELLANEOUS DETAILS

DESIGNED	ISSUED BY	PLATFORM MGR.
DRAWN	IMPLEMENTATION	DATE
CHECKED	EGS	ARR-D-MALSR33-CI2

AURORA MUNICIPAL AIRPORT IL

8 7 6 5 4 3 2 1

K:\Aurora\02850A\Draw\Sheets\FAA_ILS_DONs_CMT.mxd 5-10-05 WRP-D-MALSR33-CI2.dgn 5/10/2006 3:20:55 PM NAME\$