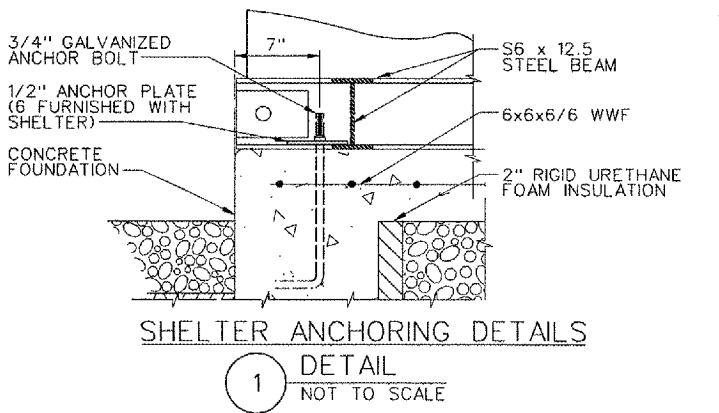
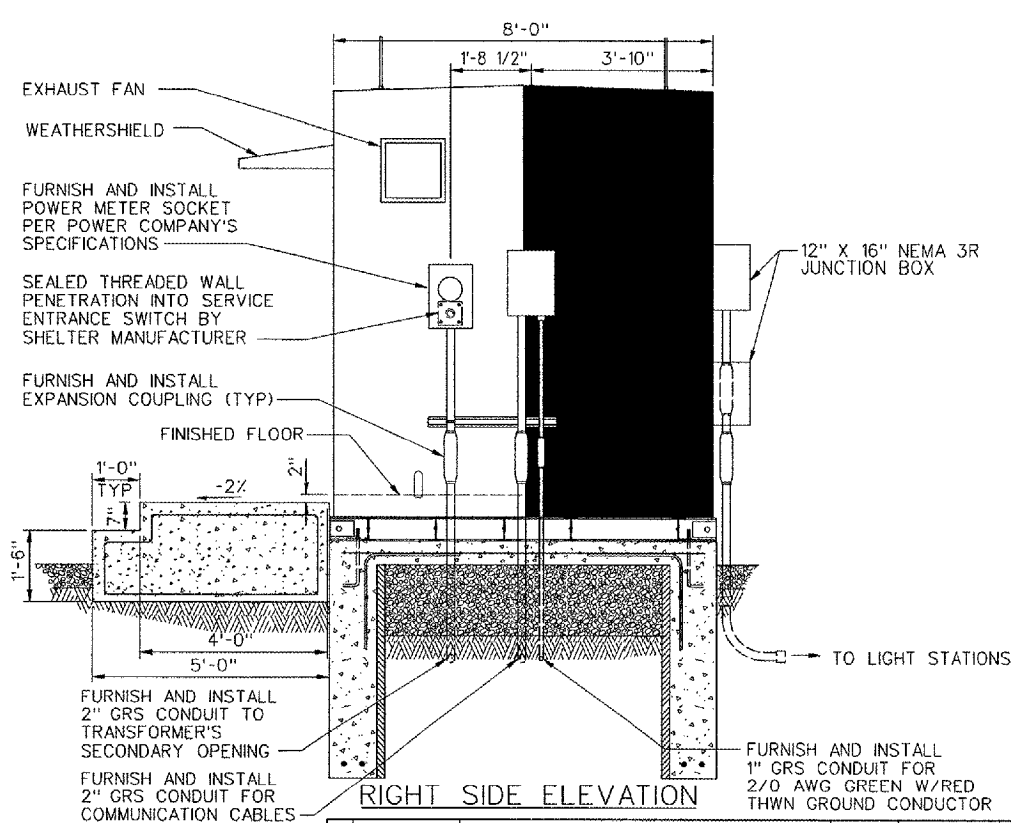
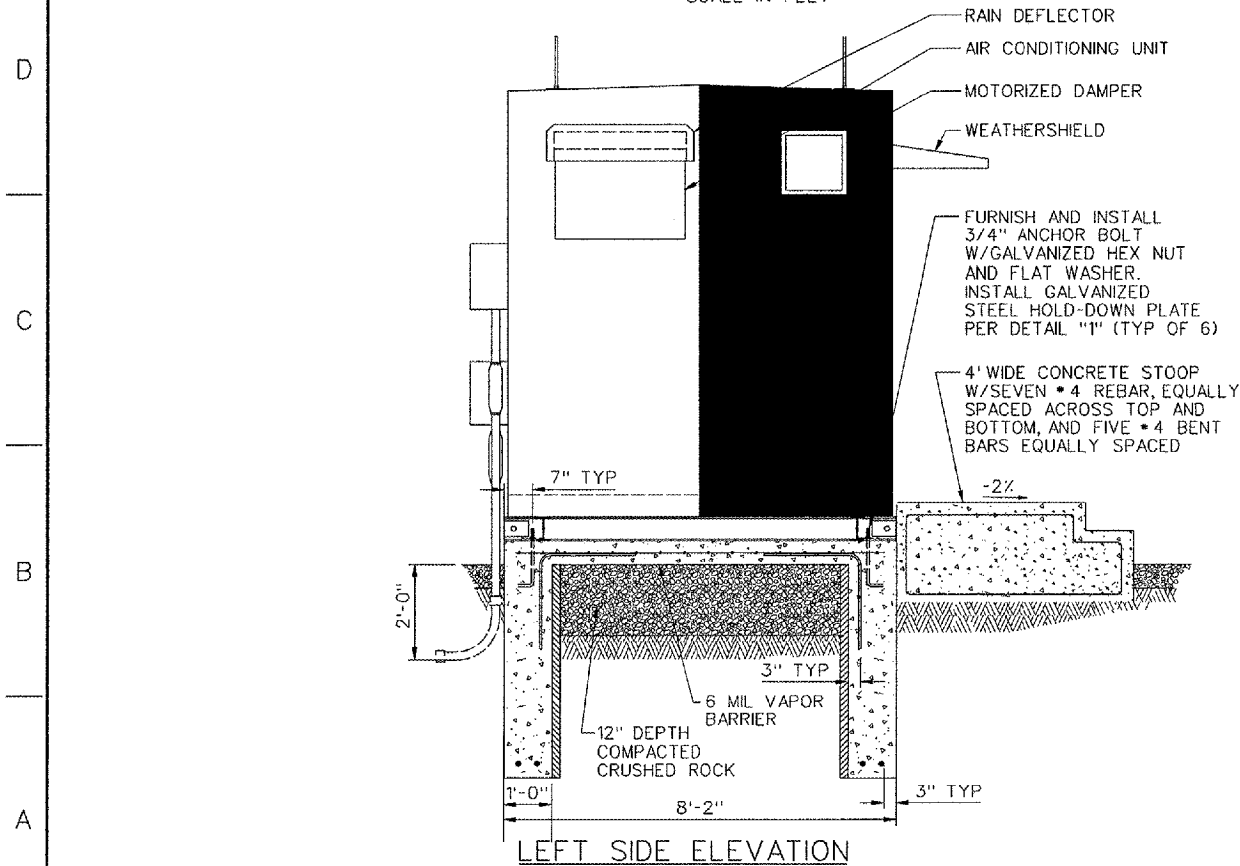


- NOTES:**
1. PREFABRICATED EQUIPMENT SHELTER WILL BE DELIVERED TO THE SITE PER THE LOCAL FAA SECTOR FIELD OFFICE'S INSTRUCTIONS. CONTRACTOR SHALL CONTACT MR. DAN GEIST AT (815) 509-3200 TO ARRANGE PICK-UP OF THE SHELTER FROM ITS STORAGE LOCATION AND RELOCATION TO THE SITE.
  2. REFER TO CMT SPECIFICATIONS FOR EXCAVATION DETAILS.
  3. REFER TO CMT SPECIFICATIONS FOR CONCRETE DETAILS.
  4. SHELTER IS DELIVERED TO SITE WITH ELECTRICAL LIGHTS, SWITCHES, RECEPTACLES, AND LOCALIZER EQUIPMENT RACK MOUNTED INSIDE SHELTER. SEE GOVERNMENT-FURNISHED PROPERTY LIST FOR A COMPLETE LIST OF ITEMS DELIVERED WITH THE SHELTER.
  5. FURNISH AND INSTALL LIGHTNING PROTECTION SYSTEM INCLUDING AIR TERMINAL ASSEMBLY (4 REQUIRED) CONSISTING OF A 5/8" DIA X 12" LONG COPPER AIR TERMINAL WITH NICKEL-PLATED ROUNDED BLUNT TIP AND ADAPTER, THOMPSON CAT. NO. 665. SECURE TO ROOF AT EACH CORNER USING ROUND ADHESIVE BASE, THOMPSON CAT. NO. 688. INSTALL THOMPSON CAT. NO. 32 ROOF PERIMETER GROUNDING CONDUCTOR, SECURED TO SHELTER ROOF USING STAMPED ADHESIVE CABLE HOLDERS, THOMPSON CAT. NO. 730 SPACED 30" O.C. MAXIMUM. CONNECT AIR TERMINALS AND THOMPSON CAT. NO. 32 DOWN CONDUCTOR (INSTALL AT OPPOSITE CORNERS) TO ROOF PERIMETER GROUNDING CONDUCTOR USING PARALLEL CLAMPS, THOMPSON CAT. NO. 744M. SECURE DOWN CONDUCTOR AND BONDING CONDUCTOR TO SHELTER EXTERIOR USING STAMPED ADHESIVE CABLE HOLDERS, THOMPSON CAT. NO. 730 SPACED 30" O.C. MAXIMUM. CONNECT DOWN CONDUCTORS TO GROUNDING ROD USING EXOTHERMIC WELD.



SHEET 36 OF 67

DEPARTMENT OF TRANSPORTATION FEDERAL AVIATION ADMINISTRATION GREAT LAKES REGION		CHICAGO, ILLINOIS	
MALSR			
EXTERIOR ELEVATIONS AND FOUNDATION 8' X 16' PRE-FABRICATED EQUIPMENT SHELTER RUNWAY 33			
AURORA	AURORA MUNICIPAL AIRPORT		IL
REVIEWED BY	SUBMITTED BY	APPROVED BY	
PROJ ENGR, TIMOTHY DYER	ISSUED BY CHICAGO NAS IMPLEMENTATION CENTER	PLATFORM MGR, CLELAND MICHEEL	
DESIGNED	TAD	DATE	02/27/2006 JCN
DRAWN	TAD	DRAWING NO	
CHECKED	EGS	ARR-D-MALSR33-A01	REV

K:\Aurora\042850A\Draw\Sheets\FAA\_L3\DRG's\_CMT med. 6-27-06\ARR-D-MALSR33-A01.dwg  
 6/27/2006 11:31:39 AM HANES