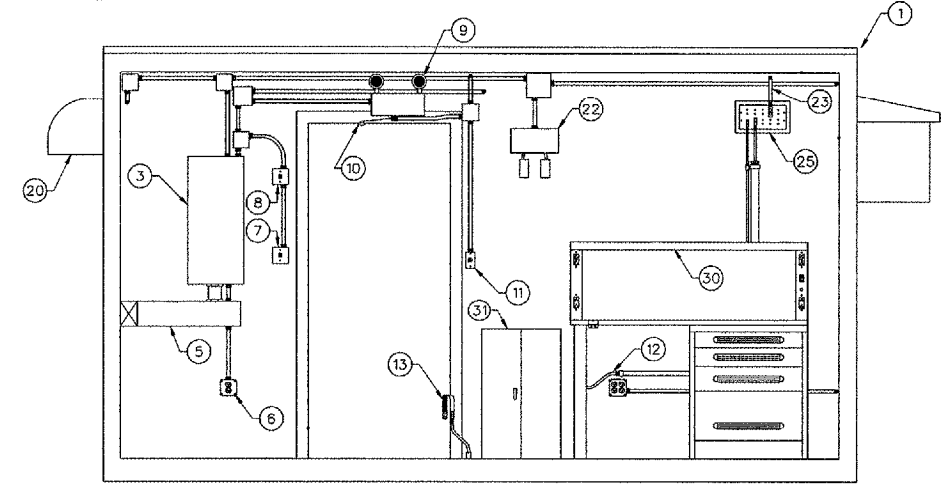
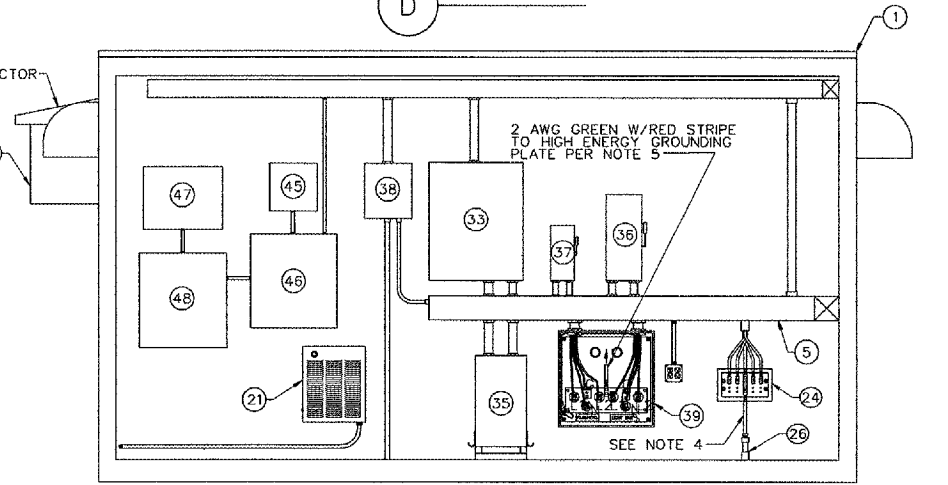


4 DETAIL  
NOT TO SCALE

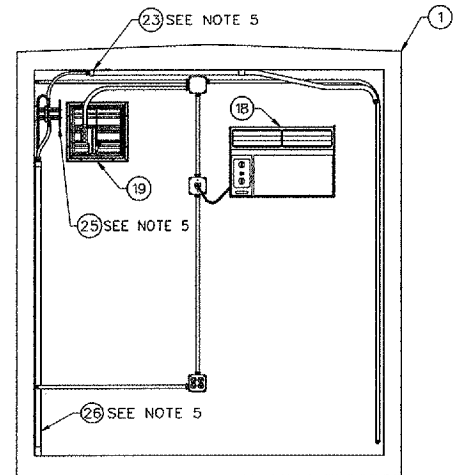
6 DETAIL  
NOT TO SCALE



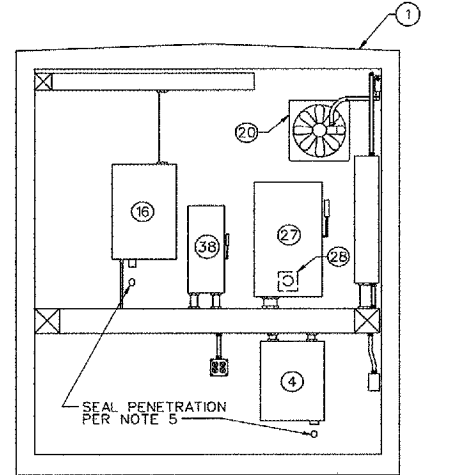
FRONT WALL INTERIOR ELEVATION  
D SECTION



REAR WALL INTERIOR ELEVATION  
B SECTION



LEFT WALL INTERIOR ELEVATION  
A SECTION



RIGHT WALL INTERIOR ELEVATION  
C SECTION

NOTES:

- ELECTRICAL EQUIPMENT SHOWN ON THIS SHEET IS SURFACE MOUNTED BY FAA REPRESENTATIVES PRIOR TO SHIPMENT OF SHELTER UNLESS OTHERWISE NOTED.
- CONTRACTOR SHALL NOTIFY RESIDENT ENGINEER IF SHELTER IS DAMAGED OR MISSING ITEMS AT PRECONSTRUCTION CONFERENCE..
- ALL GROUNDING CONDUCTORS SHALL BE ATTACHED TO GROUNDING RODS OR PERIMETER GROUNDING CONDUCTOR USING EXOTHERMIC WELDS PER SPECIFICATIONS.
- INSTALL GREEN THWN GROUNDING CONDUCTOR (WELDING CABLE SHIPPED LOOSE WITH SHELTER) FROM MAIN GROUNDING PLATE THROUGH EXISTING FLOOR PENETRATION, OVER FOUNDATION, AND TO PERIMETER GROUNDING CONDUCTOR. CONNECT USING EXOTHERMIC WELD PER SPECIFICATIONS.
- DISCONNECT EXISTING 4/0 AWG GREEN W/ORANGE STRIPE GROUNDING CABLE FROM MAIN GROUNDING PLATE AND INSTALL GREEN THWN GROUNDING CONDUCTOR (WELDING CABLE SHIPPED LOOSE WITH SHELTER) FROM GROUNDING PLATE THROUGH EXISTING FLOOR PENETRATION, OVER FOUNDATION, AND TO PERIMETER GROUNDING CONDUCTOR. CONNECT USING EXOTHERMIC WELD PER SPECIFICATIONS. FURNISH AND INSTALL NEW PLASTIC COVER LABELLED "CAUTION: ELECTRONIC HIGH ENERGY GROUND" AND CONNECT ALL HIGH ENERGY GROUNDS (GREEN WITH RED STRIPE) FROM SURGE ARRESTERS TO THIS PLATE. PLUG ALL THRU-WALL OPENINGS WITH SILICONE SEALER OR PVC PIPE CAPS.

NUMBERED LEGEND:

- 1 - CONTRACTOR SHALL INSTALL ITEM, F&I - CONTRACTOR SHALL FURNISH & INSTALL ITEM, M - MODIFY EXISTING, BO - SHALL BE INSTALLED BY FAA INSTALLATION PERSONNEL OR IS ALREADY INSTALLED IN PRE-FABRICATED EQUIPMENT SHELTER
- WOOD FRAME EQUIPMENT SHELTER W/FIBERGLASS EXTERIOR FINISH PER DWG ARR-D-GSXX-A01
  - METER BASE FOR USE WITH UNDERGROUND SERVICE PER POWER COMPANY'S SPECIFICATIONS SHALL BE INSTALLED OVER WALL PENETRATION (INSTALLED BY SHELTER MANUFACTURER). INSTALL 3-1/2" #2 TYPE THWN POWER CABLES AND #8 GREEN THWN GROUND CONDUCTOR TO SECONDARY LEADS OF METER BASE AND PRIMARY LEADS OF SERVICE ENTRANCE DISCONNECT SWITCH. INSTALL 3-1/2" #2 TYPE U.S.E. POWER CABLES AND #2 GREEN THWN GROUND CONDUCTOR IN 2" GALVANIZED RIGID STEEL CONDUIT, 2" BELOW GRADE (MIN) FROM TRANSFORMER'S SECONDARY. CONNECTIONS AT TRANSFORMER WILL BE MADE BY COMMONWEALTH EDISON REPRESENTATIVES. CONTACT KATIE OLIVA AT (847) 608-2338 WHEN READY.
  - 100A BREAKER PANEL, LUGS ONLY, 20 CIRCUITS, W/BOLT ON BREAKERS
  - INCOMING POWER SURGE ARRESTOR, 120/240V
  - 6" SQUARE DUCT
  - ELECTRICAL RECEPTACLE
  - INTERIOR LIGHT SWITCH
  - EXTERIOR LIGHT SWITCH
  - EMERGENCY LIGHT
  - INTRUSION SENSOR
  - SMOKE DETECTOR RESET SWITCH
  - WORKSTATION GROUND
  - GROUNDING STRAP
  - WALL-MOUNTED EXTERIOR LIGHT WITH PHOTO CONTROL
  - 4'-LONG 2-LAMP-TUBE FLUORESCENT LIGHT FIXTURE, 120-VOLT
  - TELECOMMUNICATIONS ENCLOSURE PER DETAIL "2"
  - THOMPSON CAT. NO. 32 DOWN CONDUCTOR FROM ROOF PERIMETER GROUND TO EXOTHERMIC WELD AT GROUNDING ROD.
  - A/C THRU-WALL UNIT, 12,000 BTU,
  - 12" SQUARE MOTORIZED LOUVER WITH FILTER AND HOOD
  - EXHAUST FAN WITH VENT HOOD
  - WALL-MOUNTED ELECTRIC HEATER
  - ENVIRONMENTAL CONTROL PANEL
  - 1" PVC CONDUIT CARRYING 4/0 AWG GREEN THWN W/ORANGE STRIPE FROM MAIN GROUNDING PLATE TO MULTIPOINT GROUNDING PLATE. SEE NOTE 5.
  - MAIN COPPER GROUNDING PLATE WITH PLASTIC COVER. SEE NOTE 4.
  - HIGH ENERGY ELECTRONIC GROUNDING PLATE WITH PLASTIC COVER. SEE NOTE 5.
  - 2" PVC CONDUIT STUB THROUGH FLOOR TO ACCOMMODATE INSTALLATION OF GROUNDING CONDUCTOR. SEE NOTES 4 AND 5.
  - SERVICE ENTRANCE DISCONNECT SWITCH, 100A, 240V, W/FUSES
  - THRU-WALL PENETRATION FROM SERVICE ENTRANCE DISCONNECT SWITCH TO EXTERIOR TO ACCOMMODATE INSTALLATION OF SERVICE ENTRANCE CONDUCTORS
  - MALSR POWER JUNCTION BOX, 12" X 16", NEMA 3R
  - WORK BENCH/DESK
  - DRAWER STORAGE UNIT
  - SMOKE DETECTOR ON CEILING
  - MALSR POWER AND CONTROL CABINET
  - FLASHER CONTROL JUNCTION BOX, 12" X 16", NEMA 3R
  - MALS POWER TRANSFORMER
  - MALS POWER DISCONNECT SWITCH
  - FLASHER POWER DISCONNECT SWITCH
  - MALSR CONTROL CABINET DISCONNECT SWITCH
  - MALSR AND FLASHER POWER SURGE ARRESTER
  - FLASHER CONTROL TRANSIENT SUPPRESSION JUNCTION BOX
  - 6 AWG BARE COPPER GROUNDING AND BONDING CONDUCTOR
  - 4/0 BARE COPPER PERIMETER GROUNDING CONDUCTOR, 2'-6" BELOW GRADE. SEE NOTE 3.
  - 3/4" X 10' COPPERCLAD GROUNDING ROD
  - 1" GRSC WITH EXPANSION COUPLING FOR GROUNDING CONDUCTOR
  - AIR-TO-GROUND RADIO RECEIVER/CONTROLLER
  - RADIO INTERFACE UNIT
  - GROUND-TO-GROUND RADIO RECEIVER
  - GROUND-TO-GROUND RADIO DECODER

SHEET 37 OF 67

DEPARTMENT OF TRANSPORTATION  
FEDERAL AVIATION ADMINISTRATION  
GREAT LAKES REGION CHICAGO, ILLINOIS

MALSR  
FLOOR PLAN AND INTERIOR ELEVATIONS  
8' X 16' PRE-FABRICATED EQUIPMENT SHELTER  
RUNWAY 33

|                                |                       |                                      |
|--------------------------------|-----------------------|--------------------------------------|
| REVIEWED BY                    | SUBMITTED BY          | APPROVED BY                          |
|                                |                       |                                      |
| PROJ ENGR, <i>TIMOTHY DYER</i> | ISSUED BY             | PLATFORM MGR, <i>CLELAND MICHEEL</i> |
| DESIGNED                       | DATE                  | JCN                                  |
| DRAWN                          | 02/27/2006            |                                      |
| CHECKED                        | IMPLEMENTATION CENTER | REV                                  |
|                                | ARR-D-MALSR33-A02     |                                      |

K:\Aurora\A022850A\Drawn\Sheets\FAA\_ILS\_DSRs\_CMT mod. 8-27-05\ARR-D-MALSR33-A02.dwg  
 6/27/2006 11:33:33 AM NAME#  
 AURORA