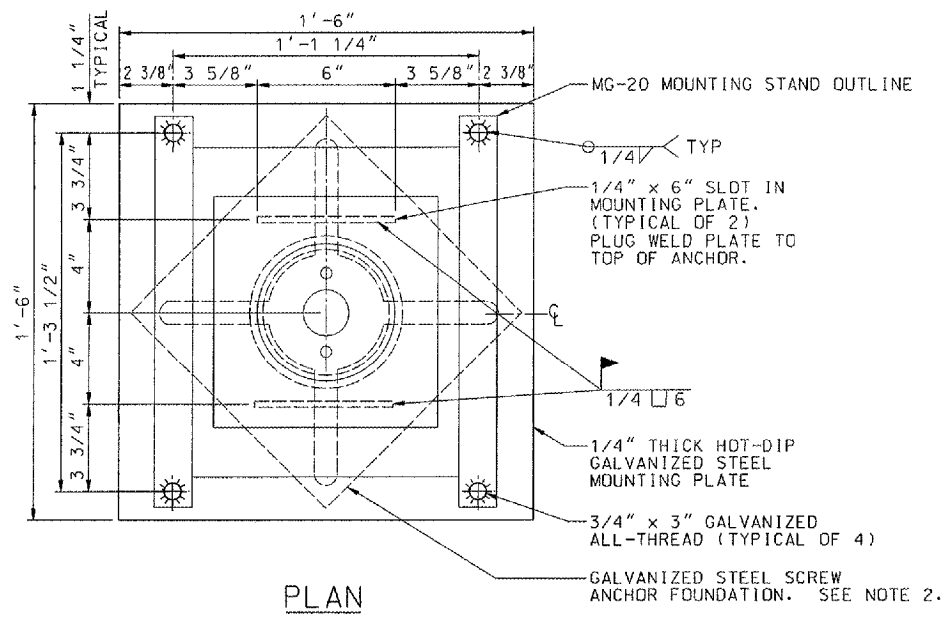
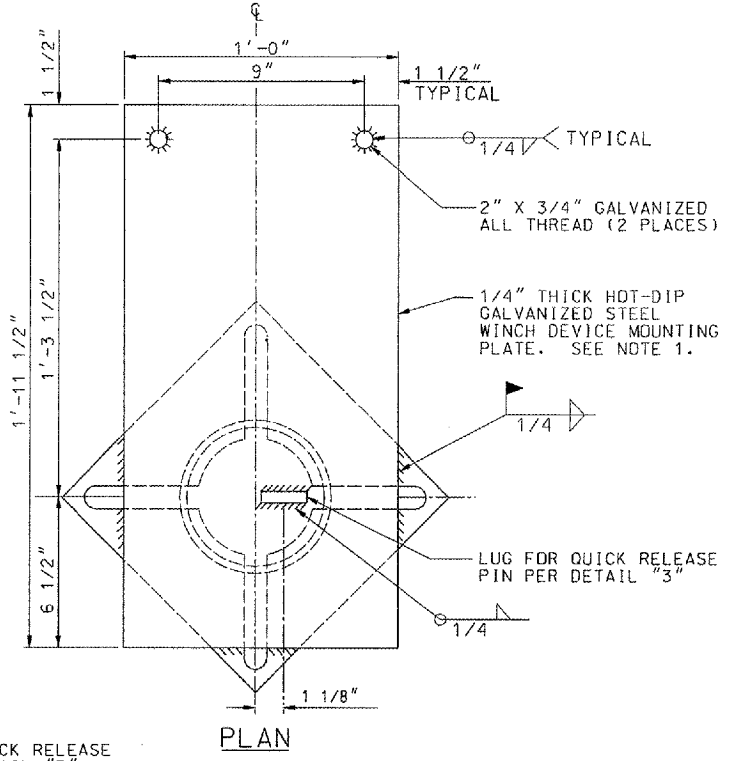
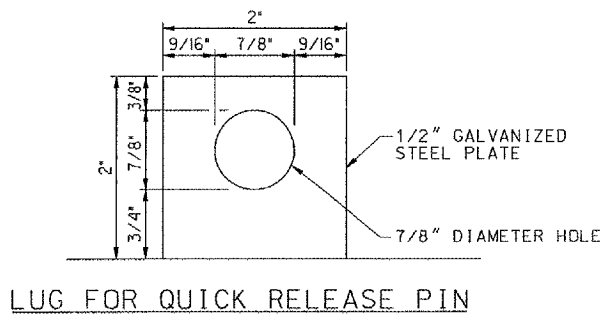
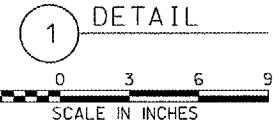


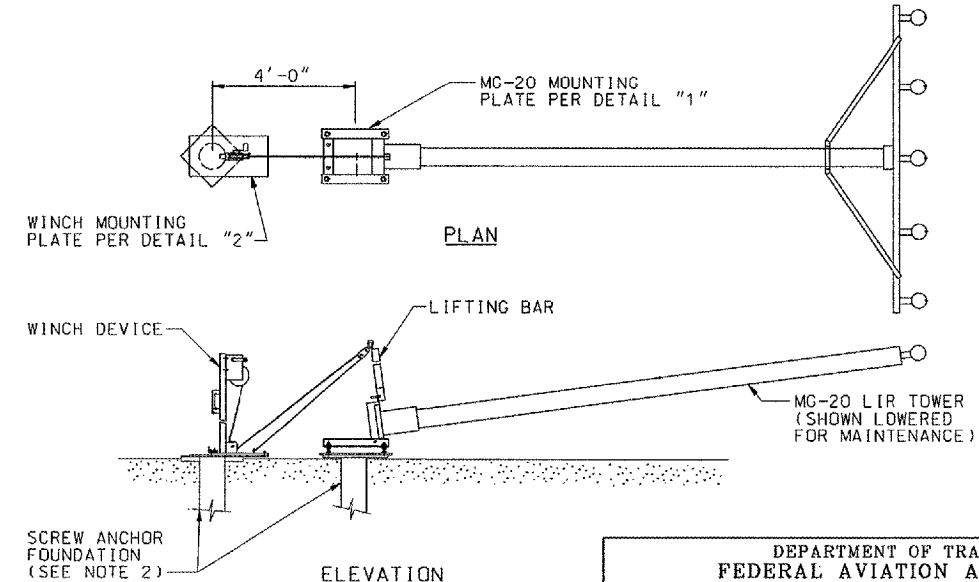
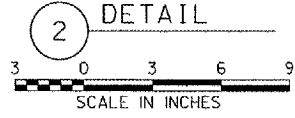
THIS DRAWING PRODUCED ON THE GREAT LAKES REGION MICROSTATION SYSTEM



ELEVATION
MG-20 MOUNTING PLATE

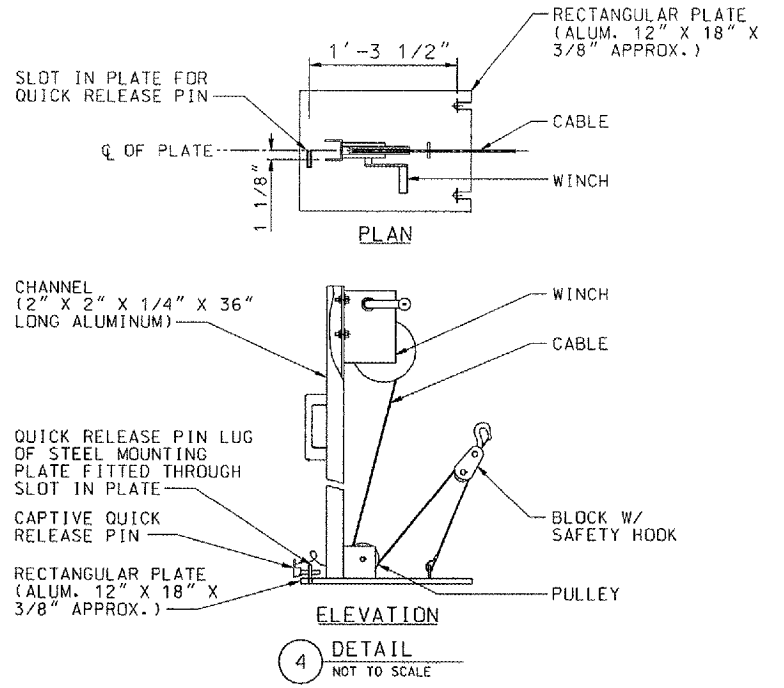


ELEVATION
WINCH MOUNTING PLATE



CONTRACTOR SHALL SUBMIT REQUESTS FOR SUBSTITUTION OF SPECIFIC MANUFACTURER'S ITEMS SHOWN PER PARAGRAPH 1 OF THE SPECIAL SPECIFICATIONS.

- NOTES:**
- WINCH IS PROVIDED BY THE FAA WITH MALSR EQUIPMENT; DETAILS ARE FOR REFERENCE ONLY. WINCH SHALL BE DELIVERED TO RESIDENT ENGINEER AFTER TOWER INSTALLATION.
 - SCREW ANCHOR FOUNDATIONS SHALL BE STEEL STREETLIGHT FOUNDATIONS, A.B. CHANCE CAT. NO. CT112-0262. SEE THE SECTION 13D OF THE SPECIFICATION FAA-GL-918C FOR INSTRUCTIONS REGARDING INSTALLATION OF THE SCREW ANCHORS.



WINCH DEVICE ATTACHED TO MOUNTING STAND ILLUSTRATION
SEE NOTE 1

SHEET 44 OF 67

DEPARTMENT OF TRANSPORTATION FEDERAL AVIATION ADMINISTRATION GREAT LAKES REGION CHICAGO, ILLINOIS			
MALSR MOUNTING PLATE FABRICATION DETAILS FOR MG-20 LIR TOWER AND WINCH RUNWAY 33			
AURORA	AURORA MUNICIPAL AIRPORT		IL
REVIEWED BY	SUBMITTED BY	APPROVED BY	
DESIGNED BY TAD	ISSUED BY CHICAGO HAS	DATE 02/27/2006	JCN
DRAWN TAD	IMPLEMENTATION CENTER	DRAWING NO ARR-D-MALSR33-S03	REV
CHECKED EGS			

REV	DATE	DESCRIPTION	JCN	REDLINE DATE	APPROVED

K:\Aurora\0428504-Draw\Sheets\FAA_ILS DRR's, DMT mod. 5-10-09\ARR-D-MALSR33-S03.dgn
5/10/2006 5:23:47 PM BNAME
ARCSF