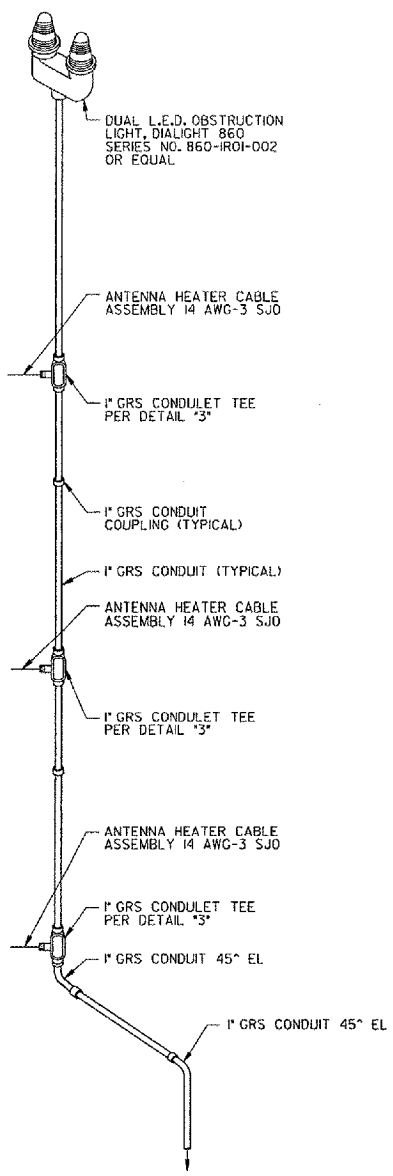
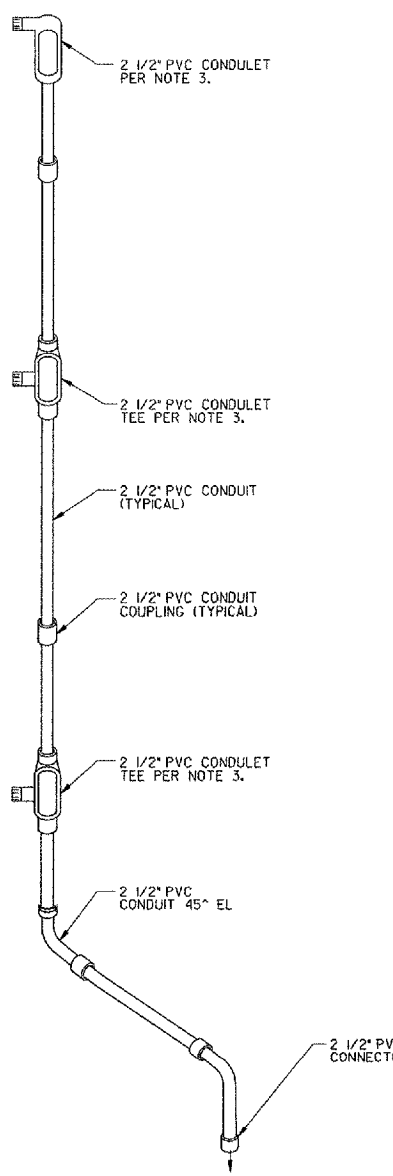


THIS DRAWING PRODUCED ON THE GREAT LAKES REGION MICROSTATION SYSTEM



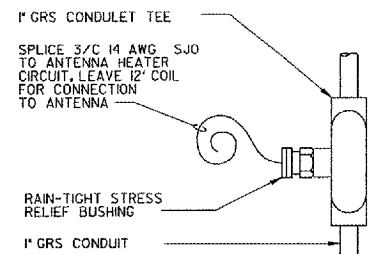
ANTENNA TOWER ELECTRICAL EQUIPMENT INSTALLATION

1 DETAIL SCALE: NONE



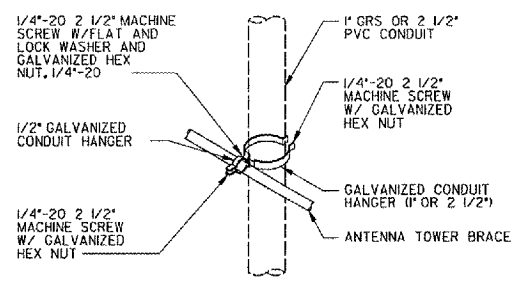
ANTENNA TOWER RF EQUIPMENT INSTALLATION

2 DETAIL SCALE: NONE



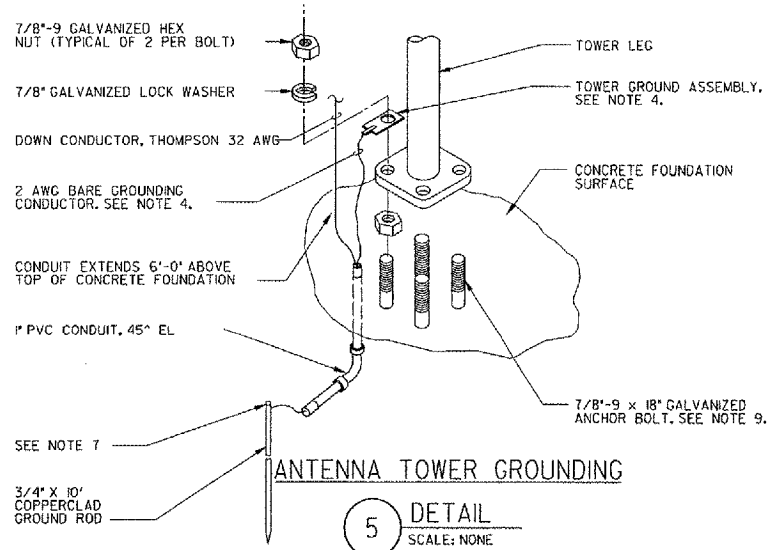
TYPICAL POWER CONDUIT

3 DETAIL SCALE: NONE



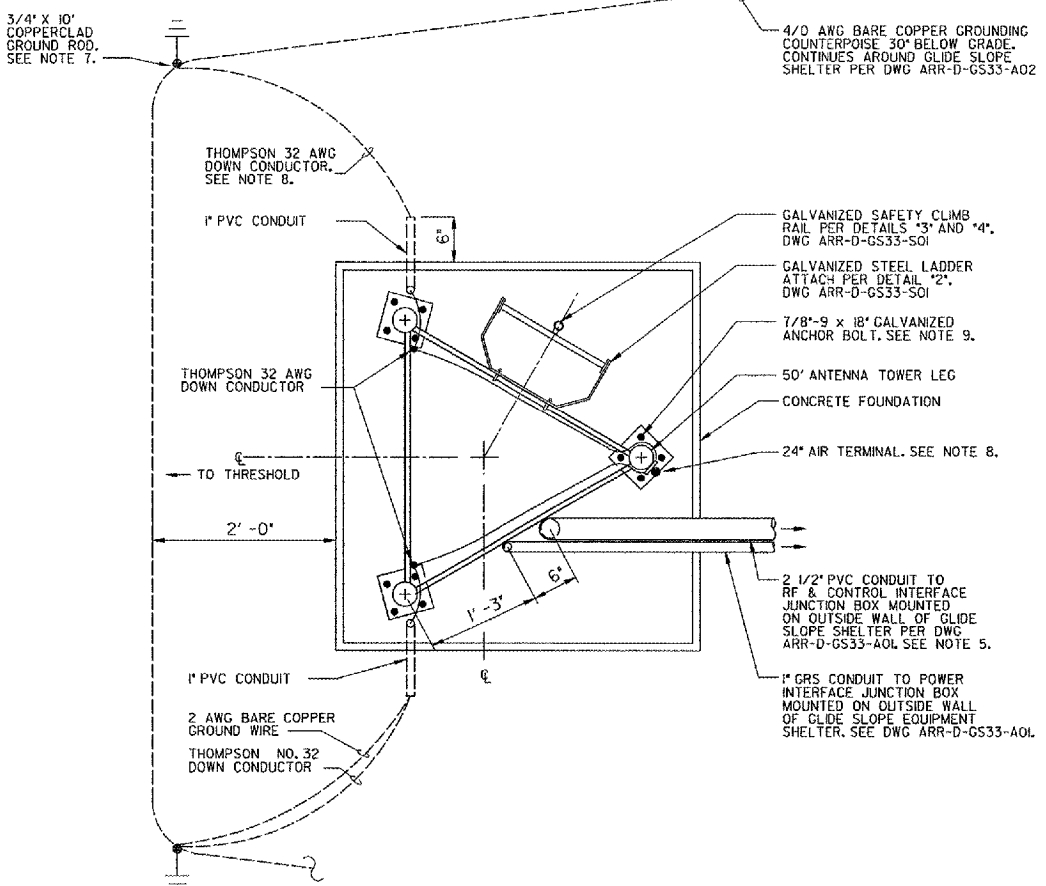
TYPICAL CONDUIT ATTACHMENT

4 DETAIL SCALE: NONE



ANTENNA TOWER GROUNDING

5 DETAIL SCALE: NONE

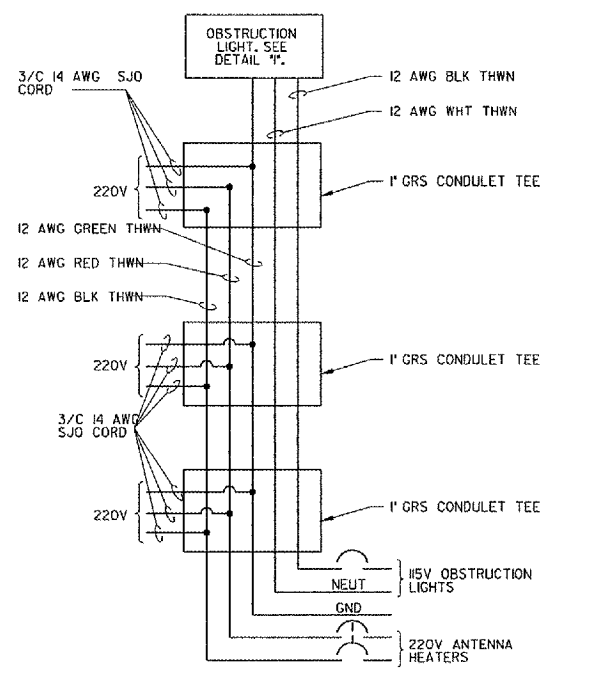


ANTENNA TOWER LIGHTNING PROTECTION

6 DETAIL SCALE IN FEET

NOTES:

- 1. THE OBSTRUCTION LIGHT SHALL BE OPERATIONAL BEFORE DUSK OF THE FIRST DAY THAT THE ANTENNA TOWER IS ERECTED.
2. CONDUITS SHALL BE CLAMPED TO ANTENNA TOWER STRUCTURAL MEMBERS ON TOWER FACE OPPOSITE FACE WITH LADDER AT 5'-0" O.C. MAX.
3. 1" RIGID GALVANIZED STEEL CONDUIT AND 2 1/2" PVC CONDUIT SHALL BE INSTALLED PER DETAIL "6". A 2 1/2" PVC CONDUIT SHALL BE INSTALLED ON THE 2 1/2" PVC CONDUIT FOR EACH GLIDE SLOPE ANTENNA, CENTERED AT THE ANTENNA'S HEIGHT ABOVE GRADE. THE TEE OF EACH CONDUIT SHALL BE ORIENTED TOWARD THE ANTENNA. INSTALL REDUCING BUSHINGS IN THE TEE TO FACILITATE INSTALLATION OF A 1" CONDUIT.
4. TOWER GROUND ASSEMBLY IS PROVIDED WITH A 6 AWG BARE COPPER WIRE ATTACHED. THE 6 AWG BARE COPPER SHALL BE REMOVED AND REPLACED WITH A 2 AWG BARE COPPER WIRE. SEE NOTE 7.
5. ANTENNA RF CABLES WILL BE FURNISHED AND INSTALLED BY FAA INSTALLATION PERSONNEL.
6. THE CONDUIT SHALL ENTER THE TOP OF THE RF AND CONTROL INTERFACE JUNCTION BOX AS CLOSE TO THE SIDE AS POSSIBLE, CENTERED 4" FROM THE BACK.
7. ALL CONNECTIONS TO GROUNDING RODS SHALL BE MADE USING EXOTHERMIC WELDS PER SPECIFICATIONS.
8. ANTENNA TOWER LIGHTNING PROTECTION SHALL BE FURNISHED AND INSTALLED BY THE CONTRACTOR PER THE REQUIREMENTS OF NFPA 78. CONTRACTOR SHALL INSTALL A 24" LONG AIR TERMINAL, THOMPSON NO. 572, AND THOMPSON 32 AWG DOWN CONDUCTOR ON THE INSIDE OF TWO TOWER LEGS, SECURED TO THE TOWER USING THOMPSON CLAMPS @ 3" O.C. MAX. DOWN CONDUCTORS SHALL TERMINATE AT SEPARATE GROUNDING RODS. SEE NOTE 7.
9. REFER TO GOVERNMENT-FURNISHED PROPERTY LIST (GFPL) FOR ITEMS FURNISHED BY THE FAA.



ANTENNA HEATER AND OBSTRUCTION LIGHT WIRING

7 DETAIL SCALE: NONE

CONTRACTOR SHALL SUBMIT REQUESTS FOR SUBSTITUTION OF SPECIFIC MANUFACTURER'S ITEMS SHOWN PER PARAGRAPH 10 OF THE SPECIAL SPECIFICATIONS.

Table with columns: REV, DATE, DESCRIPTION, JCN, REDLINE DATE, APV. Includes a revision history section.

DEPARTMENT OF TRANSPORTATION FEDERAL AVIATION ADMINISTRATION GREAT LAKES REGION CHICAGO, ILLINOIS. GLIDE SLOPE ANTENNA TOWER ELECTRICAL AND GROUNDING DETAILS. AURORA AURORA MUNICIPAL AIRPORT IL. Includes project and drawing information.

Vertical text on the left margin: K:\Aurora\0428804-Draw\Sheet\FAA_ILS\DRNs_CMT mod. 5-10-06\ARR-D-GS33-EOI.dgn 5/10/2006 5:06:39 PM NAME\$