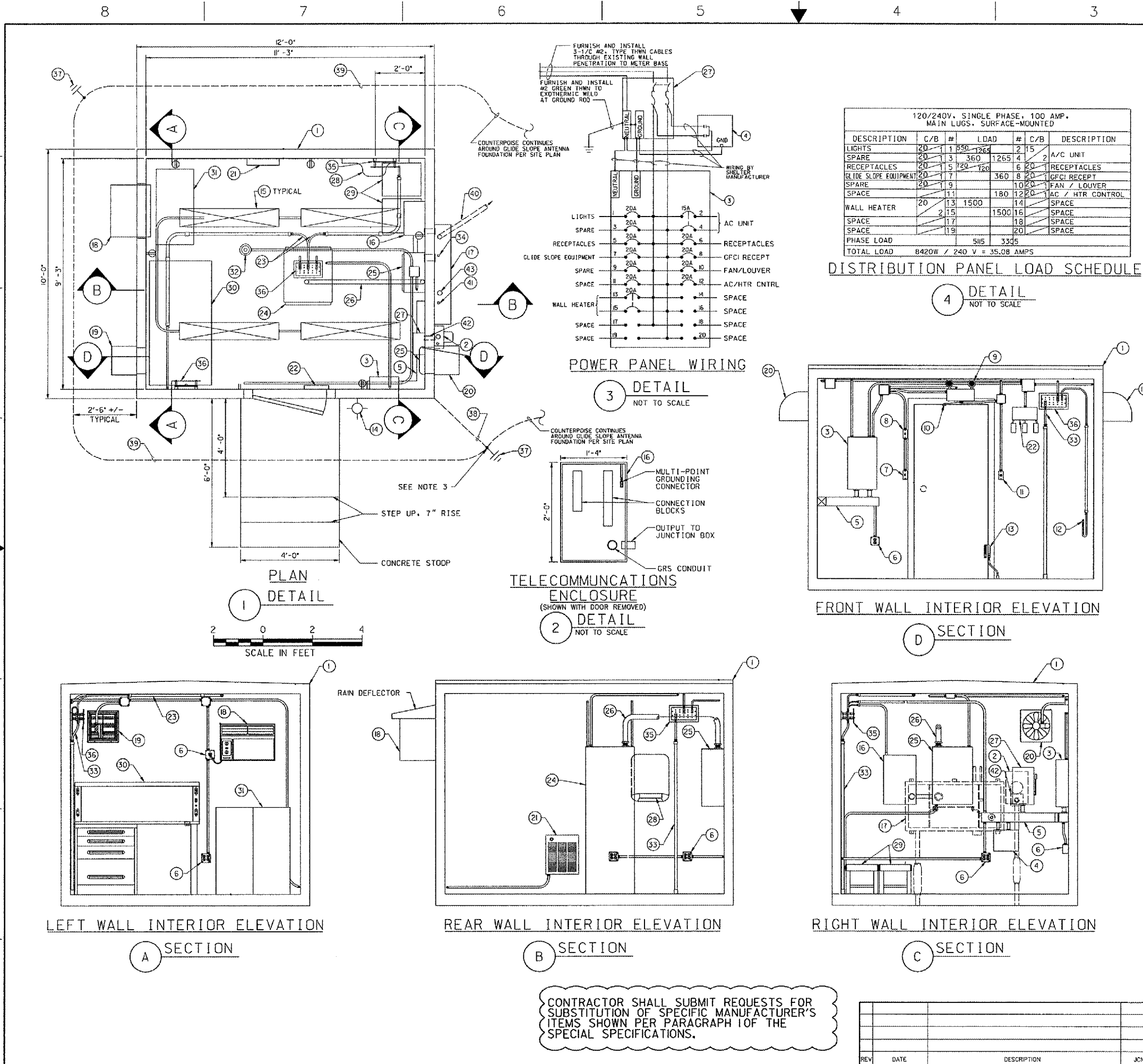


THIS DRAWING PRODUCED ON THE GREAT LAKES REGION MICROSTATION SYSTEM

K:\Aurora\428584\Draws\FAA\4.5 DWHs. DWT mod. 5-10-06\ARR-D-0533-A02.dgn  
5/10/2006 5:03:55 PM INMEE #9727



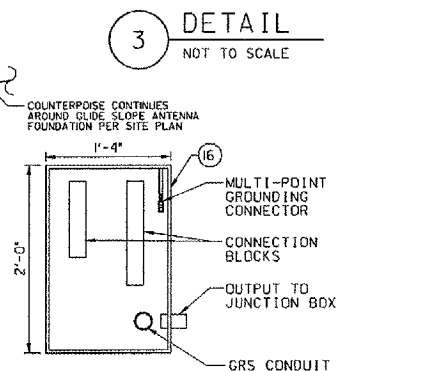
120/240V, SINGLE PHASE, 100 AMP, MAIN LUGS, SURFACE-MOUNTED

DESCRIPTION	C/B	#	LOAD	#	C/B	DESCRIPTION
LIGHTS	20	1	150	2	15	A/C UNIT
SPARE	20	3	360	4	2	RECEPTACLES
RECEPTACLES	20	5	120	6	20	GFCI RECEPT
GLIDE SLOPE EQUIPMENT	20	7	360	8	20	FAN / LOUVER
SPARE	20	9	1020	10	14	AC / HTR CONTROL
SPACE		11	180	12	14	SPACE
WALL HEATER	20	13	1500	15	16	SPACE
SPACE		2	15	1500	16	SPACE
SPACE		17		18		SPACE
SPACE		19		20		SPACE
PHASE LOAD			515	3335		
TOTAL LOAD			8420W / 240 V = 35.08 AMPS			

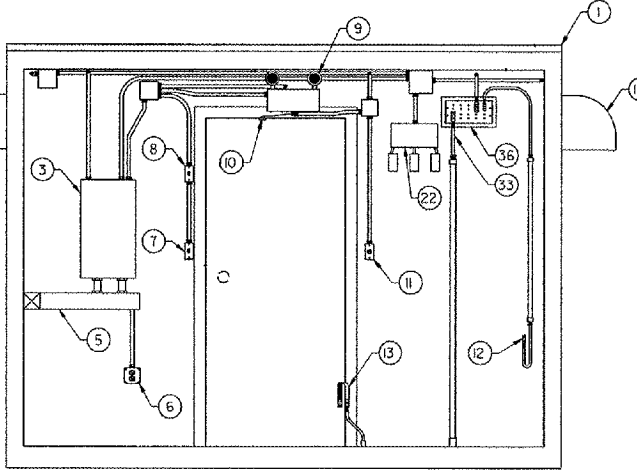
DISTRIBUTION PANEL LOAD SCHEDULE

- NUMBERED LEGEND:**
- I = CONTRACTOR SHALL INSTALL ITEM, F&I = CONTRACTOR SHALL FURNISH & INSTALL ITEM, BO = SHALL BE INSTALLED BY FAA INSTALLATION PERSONNEL OR IS ALREADY INSTALLED IN PRE-FABRICATED EQUIPMENT SHELTER
- 1 (1) WOOD FRAME EQUIPMENT SHELTER W/FIBERGLASS EXTERIOR FINISH PER DWG ARR-D-GS33-A01
- F&I (2) METER BASE FOR USE WITH UNDERGROUND SERVICE PER POWER COMPANY'S SPECIFICATIONS SHALL BE INSTALLED OVER WALL PENETRATION (INSTALLED BY SHELTER MANUFACTURER). INSTALL 3-1/2" #2 TYPE THWN POWER CABLES AND #6 GREEN THWN GROUND CONDUCTOR TO SECONDARY LEADS OF METER BASE AND PRIMARY LEADS OF SERVICE ENTRANCE DISCONNECT SWITCH. INSTALL 3-1/2" #2 TYPE U.S.E. POWER CABLES AND #2 GREEN TYPE U.S.E. GROUND CONDUCTOR IN 2" GALVANIZED RIGID STEEL CONDUIT, 2" BELOW GRADE (MIN) FROM TRANSFORMER'S SECONDARY CONNECTIONS AT TRANSFORMER WILL BE MADE BY COMED REPRESENTATIVES. CONTACT KATIE OLIVA AT (847) 608-2338 WHEN READY.
- BO (3) 100A BREAKER PANEL, 20 CIRCUITS, W/BOLT ON BREAKERS
- BO (4) AC SURGE ARRESTOR, 120/240V
- BO (5) 4" SQUARE DUCT
- BO (6) ELECTRICAL RECEPTACLE
- BO (7) INTERIOR LIGHT SWITCH
- BO (8) EXTERIOR LIGHT SWITCH
- BO (9) EMERGENCY LIGHT
- BO (10) INTRUSION SENSOR
- BO (11) SMOKE DETECTOR RESET SWITCH
- BO (12) WORKSTATION GROUND
- BO (13) GROUNDING STRAP
- BO (14) WALL-MOUNTED EXTERIOR LIGHT WITH PHOTO CONTROL
- BO (15) 4'-LONG 2-LAMP-TUBE FLUORESCENT LIGHT FIXTURE, 120-VOLT
- BO (16) TELECOMMUNICATIONS ENCLOSURE PER DETAIL '2'
- BO (17) POWER, CONTROL AND RF INTERFACE JUNCTION BOX
- BO (18) A/C THRU-WALL UNIT, 12,000 BTU.
- BO (19) 12" SQUARE MOTORIZED LOUVER WITH FILTER AND HOOD
- BO (20) EXHAUST FAN WITH VENT HOOD
- BO (21) WALL-MOUNTED ELECTRIC HEATER
- BO (22) ENVIRONMENTAL CONTROL PANEL
- BO (23) 1" PVC CONDUIT CARRYING 4/0 AWG GREEN THWN W/ORANGE STRIPE FROM MAIN GROUNDING PLATE TO MULTIPPOINT GROUNDING PLATE.
- BO (24) GLIDE SLOPE ELECTRONIC EQUIPMENT RACK
- BO (25) GLIDE SLOPE DISTRIBUTION AND COMBINING UNIT
- BO (26) 2" EMT CONDUIT CARRYING SIGNAL CABLES.
- BO (27) MAIN DISCONNECT, 100A, 240V, W/FUSES
- BO (28) EYE WASH STATION
- BO (29) FLOOR-MOUNTED BATTERY BOXES
- BO (30) WORK BENCH/DESK
- BO (31) DRAWER STORAGE UNIT
- BO (32) SMOKE DETECTOR ON CEILING
- F&I (33) TWO 4/0 AWG THWN GROUNDING CONDUCTORS FROM MAIN AND FROM MULTI-POINT GROUNDING PLATES TO COUNTERPOISE
- F&I (34) 2/0 AWG GROUNDING CONDUCTOR, GREEN THWN WITH RED STRIPE IN 1" GRS CONDUIT. LEAVE 5' LENGTH OF CONDUIT IN POWER, CONTROL AND RF INTERFACE JUNCTION BOX FOR TERMINATION BY FAA INSTALLATION PERSONNEL. SEE NOTE 3.
- BO (35) MAIN COPPER GROUNDING PLATE WITH PLASTIC COVER
- BO (36) MULTIPPOINT COPPER GROUNDING PLATE WITH PLASTIC COVER
- F&I (37) 3/4" X 10' COPPERCLAD GROUNDING ROD
- F&I (38) #6 BARE COPPER GROUNDING AND BONDING CONDUCTOR
- F&I (39) #4/0 BARE COPPER COUNTERPOISE 2'-6" BELOW GRADE. SEE NOTE 3.
- F&I (40) 2" GRSC WITH EXPANSION COUPLING FOR COMMUNICATIONS CABLES. TERMINATE CONDUIT 5' BEYOND COUNTERPOISE AND CAP END. MARK LOCATION OF DUCT END WITH CABLE MARKER
- F&I (41) 1" GRSC FOR GLIDE SLOPE ANTENNA HEATER AND OBSTRUCTION LIGHT POWER CABLES
- BO (42) BUILDING WALL PENETRATION TO OUTSIDE FROM SERVICE ENTRANCE DISCONNECT SWITCH
- F&I (43) 2 1/2" PVC CONDUIT FOR GLIDE SLOPE ANTENNA COMMUNICATION CABLES

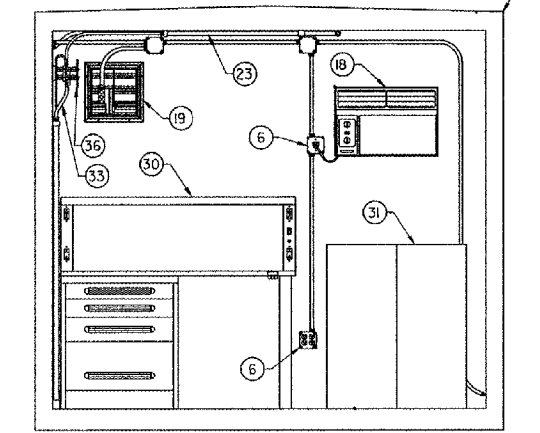
POWER PANEL WIRING



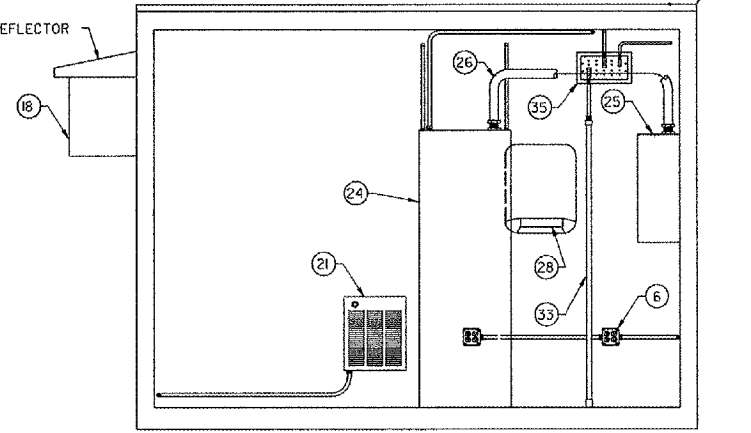
TELECOMMUNICATIONS ENCLOSURE



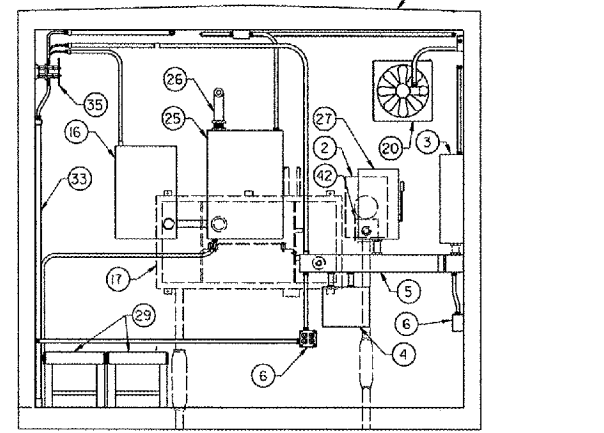
FRONT WALL INTERIOR ELEVATION



LEFT WALL INTERIOR ELEVATION



REAR WALL INTERIOR ELEVATION



RIGHT WALL INTERIOR ELEVATION

CONTRACTOR SHALL SUBMIT REQUESTS FOR SUBSTITUTION OF SPECIFIC MANUFACTURER'S ITEMS SHOWN PER PARAGRAPH 1 OF THE SPECIAL SPECIFICATIONS.

- NOTES:**
- ELECTRICAL EQUIPMENT SHOWN ON THIS SHEET IS SURFACE MOUNTED BY FAA REPRESENTATIVES PRIOR TO SHIPMENT OF SHELTER UNLESS OTHERWISE NOTED.
  - CONTRACTOR SHALL NOTIFY RESIDENT ENGINEER IF SHELTER IS DAMAGED OR MISSING ITEMS WHEN SHIPMENT ARRIVES.
  - ALL GROUNDING CONDUCTORS AND COUNTERPOISE SHALL BE ATTACHED TO GROUNDING RODS USING EXOTHERMIC WELDS PER SPECIFICATIONS.

SHEET 51 OF 67

DEPARTMENT OF TRANSPORTATION  
FEDERAL AVIATION ADMINISTRATION  
GREAT LAKES REGION CHICAGO, ILLINOIS

GLIDE SLOPE  
FLOOR PLAN AND INTERIOR ELEVATIONS  
10' X 12' PRE-FABRICATED EQUIPMENT SHELTER

REVIEWED BY	SUBMITTED BY	APPROVED BY
DESIGNED	ISSUED BY	PLATFORM MGR.
TAD	CHICAGO NAS	CLELAND MICHEEL
DRAWN	IMPLEMENTATION	DATE
TAD	CENTER	02/21/2006
CHECKED	ARR-D-GS33-A02	DRAWING NO
EGS		JCN

REV	DATE	DESCRIPTION	JCN	REDLINE DATE	APVD