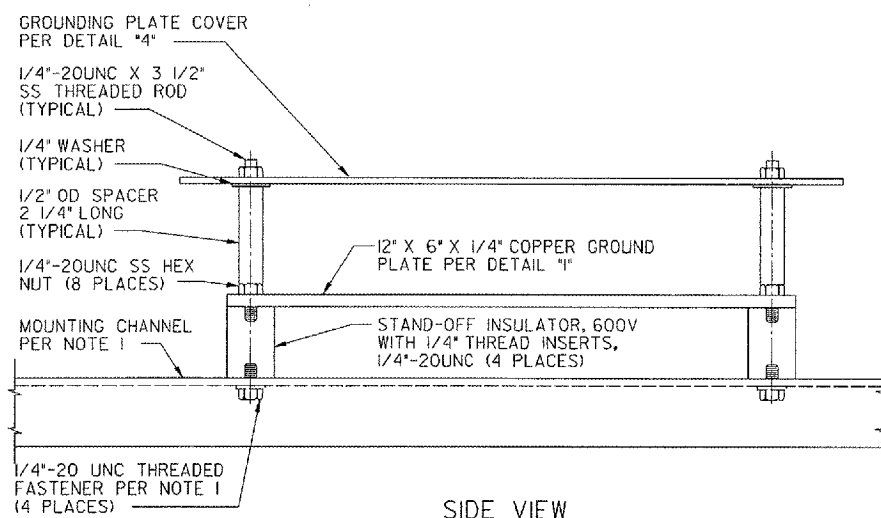
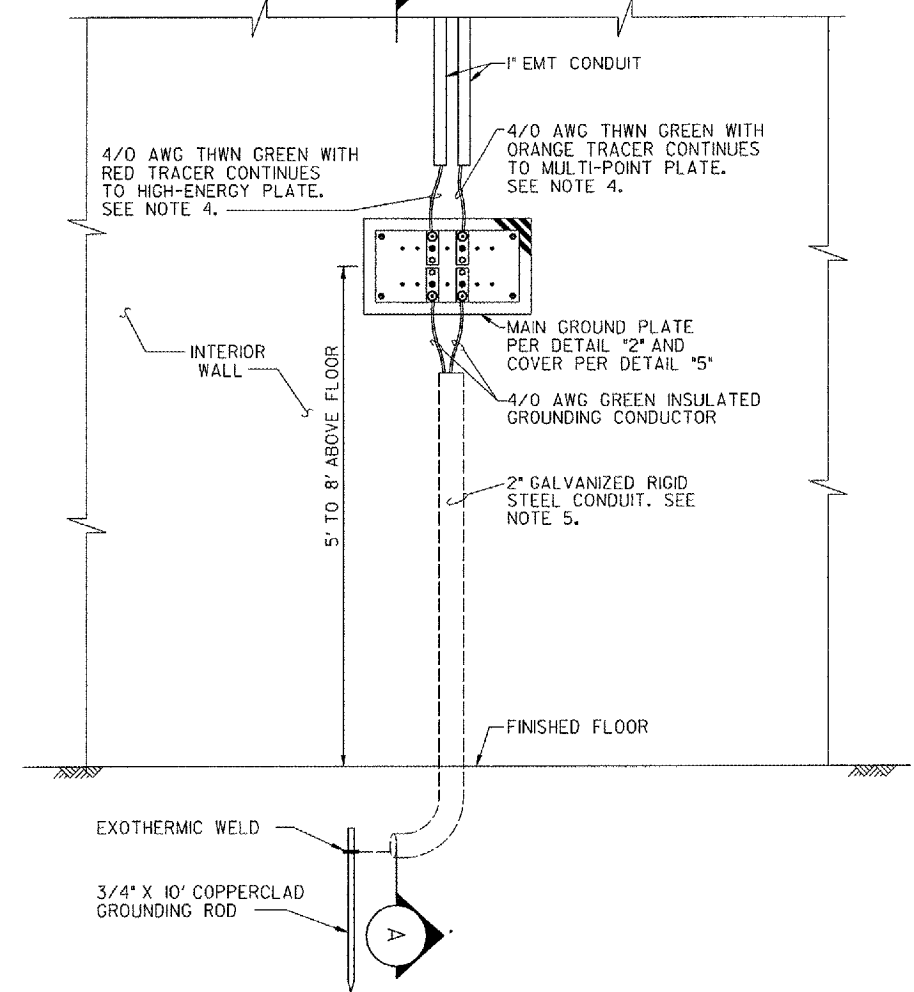


PLAN
COPPER GROUNDING PLATE
1 DETAIL
NOT TO SCALE

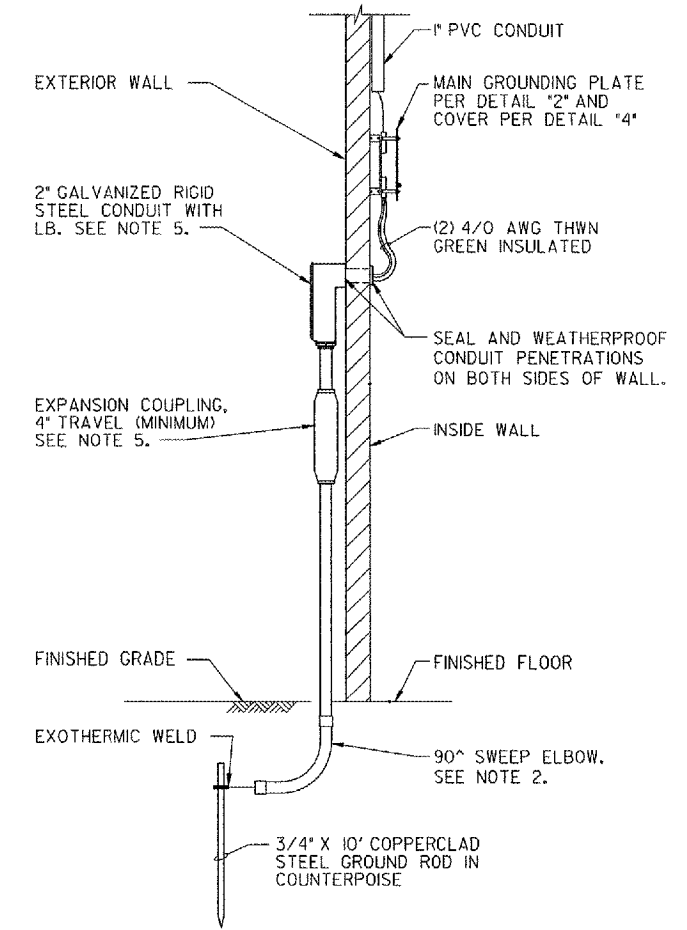


SIDE VIEW
GROUNDING PLATE ASSEMBLY
2 DETAIL
NOT TO SCALE

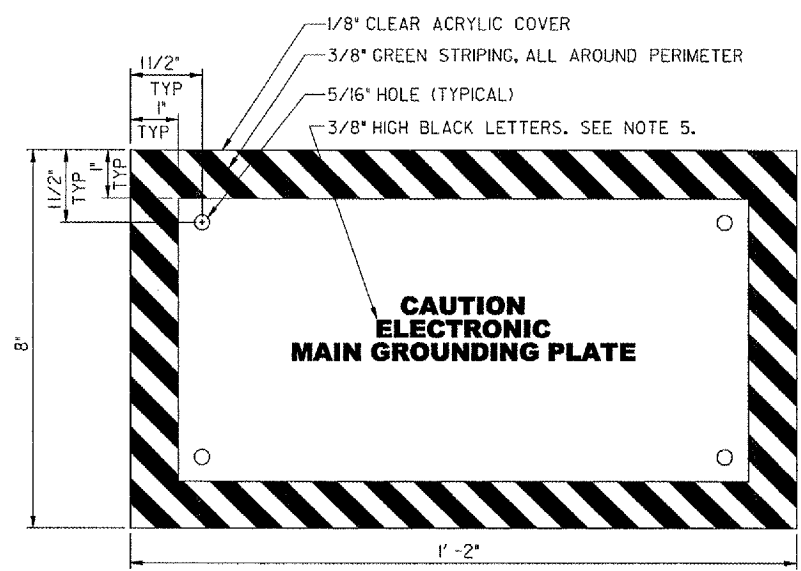
- NOTES:
1. P1000 GALVANIZED UNISTRUT CHANNEL SHALL BE USED TO SECURE THE STAND-OFF INSULATORS TO THE WALL.
 2. GRS CONDUITS SHALL BE INSTALLED WITH GROUNDING BUSHINGS AT EACH END INTER-CONNECTED USING A 6 AWG BARE COPPER GROUNDING CONDUCTOR. CONNECT CONDUCTOR TO A GROUNDING ROD USING AN EXOTHERMIC WELD.
 3. TWO-BOLT CONNECTORS WITH SILICON BRONZE 3/8"-16 UNC X 11/2" HEX HEAD BOLT, NUT, AND LOCK WASHER ARE REQUIRED FOR ALL CONDUCTORS TO BE CONNECTED TO THE GROUNDING PLATES. ONE-BOLT CONNECTORS ARE NOT ACCEPTABLE. NOTE THAT ONLY ONE OF THE HOLES REQUIRED FOR INSTALLING EACH 2-BOLT CONNECTOR IS SPECIFIED IN DETAIL "1". THE INSTALLER OF THE CONNECTOR SHALL DRILL THE SECOND HOLE TO MATCH THE BOLT PATTERN OF THE SELECTED CONNECTOR.
 4. GROUNDING PLATES AND COVERS FOR HIGH ENERGY GROUNDING PLATE AND MULTI-POINT GROUNDING PLATES ARE CONSTRUCTED IDENTICALLY TO THE MAIN GROUNDING PLATE WITH THE EXCEPTION THAT THE COVER SHOULD BE LABELLED "HIGH ENERGY GROUNDING PLATE" AND "MULTI-POINT GROUNDING PLATE" INSTEAD OF "MAIN GROUNDING PLATE". SEE DWG ARR-D-LOC04-A01 FOR GROUNDING PLATE TYPE AND LOCATION DETAILS.
 5. CONDUIT SHALL BE INSTALLED ON THE INSIDE WALL FOR NEW SHELTER CONSTRUCTION. WHEN INSTALLED ON INSIDE WALL, EXPANSION COUPLING AND LB ARE NOT REQUIRED.



ELEVATION VIEW
MAIN GROUNDING PLATE INSTALLATION
3 DETAIL
NOT TO SCALE



GROUNDING CONDUCTORS IN
CONDUIT ON OUTSIDE WALL
A SECTION
NOT TO SCALE



TYPICAL PLASTIC COVER
FOR GROUNDING PLATES
4 DETAIL
NOT TO SCALE

DEPARTMENT OF TRANSPORTATION
FEDERAL AVIATION ADMINISTRATION
GREAT LAKES REGION CHICAGO, ILLINOIS

LOCALIZER

GROUNDING PLATE AND COVER DETAILS
RUNWAY 9

AURORA AURORA MUNICIPAL AIRPORT IL

REVIEWED BY	SUBMITTED BY	APPROVED BY
DESIGNED	ISSUED BY	DATE
DRAWN	IMPLEMENTATION	DRAWING NO
CHECKED	EGS	ARR-D-LOC09-E01

DATE 05/03/2006 JCN

PLATFORM MGR, CLELAND MICHEEL

CHICAGO NAS

REVISIONS:

REV	DATE	DESCRIPTION	JCN	REDLINE DATE	APVD

K:\Aurora\030809\Draw\Sheets\FA ILS DGS's, QAT mod. 5-10-09\ARR-D-LOC09-E01.dgn
 5/10/2006 5:14:08 PM 844624