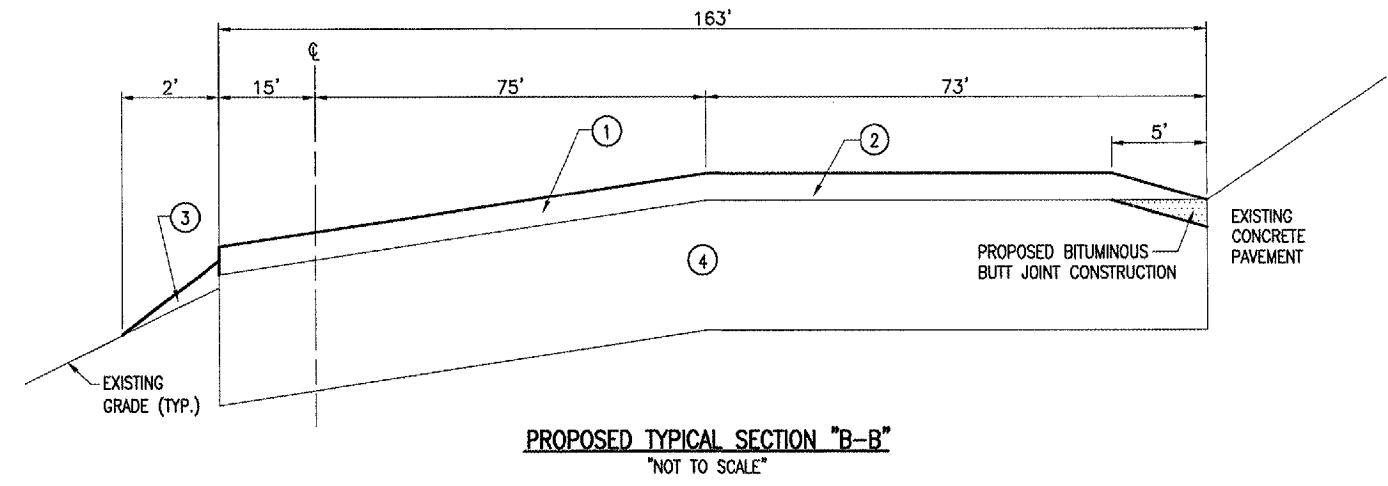


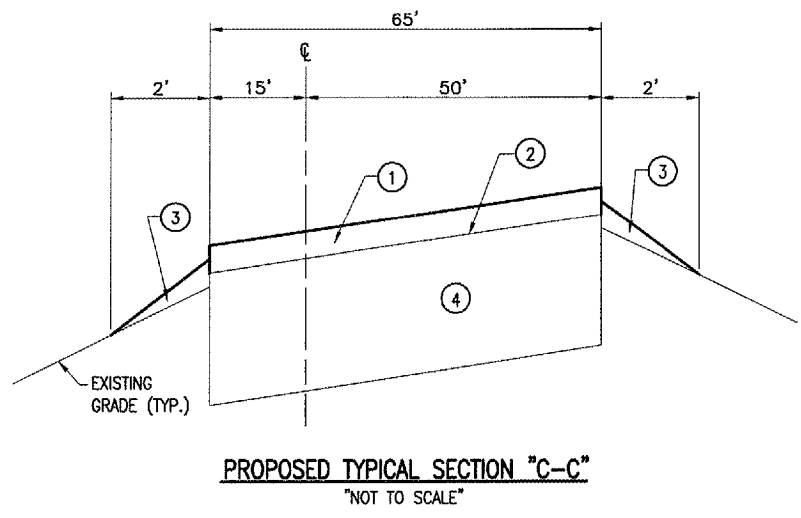
PROPOSED TYPICAL SECTION "A-A"
"NOT TO SCALE"



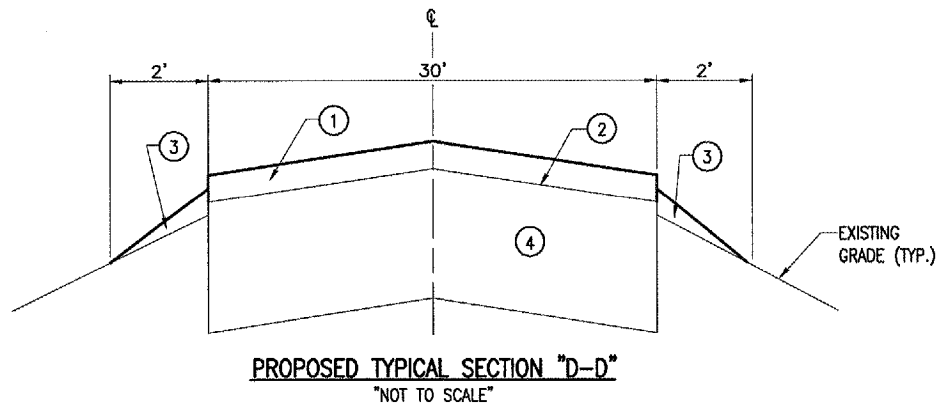
PROPOSED TYPICAL SECTION "B-B"
"NOT TO SCALE"

**PROPOSED LEGEND FOR TYPICAL SECTIONS
"A-A", "B-B", "C-C" AND "D-D"**

- ① PROPOSED 402 - POROUS FRICTION COURSE (0.10' DEPTH)
- ② PROPOSED 603 - BITUMINOUS TACK COAT (0.25 GAL./S.Y.)
- ③ PROPOSED SHOULDER ADJUSTMENT
- ④ EXISTING PAVEMENT



PROPOSED TYPICAL SECTION "C-C"
"NOT TO SCALE"



PROPOSED TYPICAL SECTION "D-D"
"NOT TO SCALE"

DATE	REVISION	BY

**FAIRFIELD MUNICIPAL AIRPORT
FAIRFIELD, ILLINOIS**

IL PROJ.: FWC-3547 A.I.P. PROJ.: 3-17-0043-B9

FEI Project No. 805-08RWTD-0800	BAK	05/04/06
Electronic R-521CON.DWG	BAK	05/04/06
Scale NOT TO SCALE	CAH	05/26/06
Date 05/04/06		
LAYOUT		
DRAWN		
REVIEWED		



**RUNWAY 18-36
P.F.C. OVERLAY**

PROPOSED
TYPICAL
SECTIONS