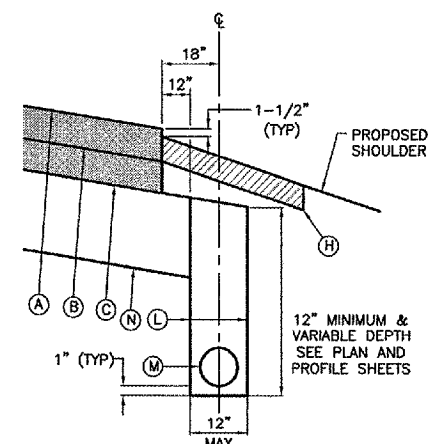


TAXIWAY TYPICAL SECTION A-A
NOT TO SCALE



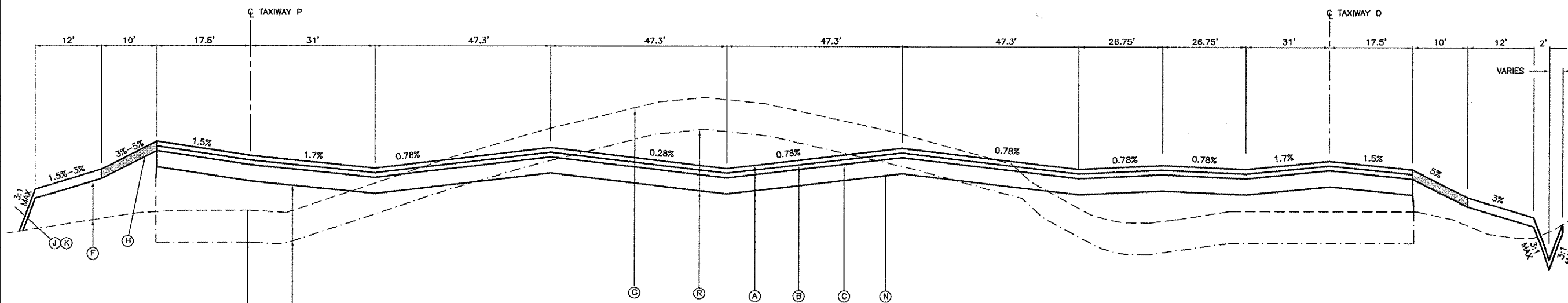
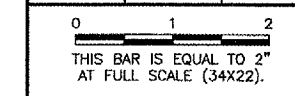
UNDERDRAIN DETAIL
EDGE OF BITUMINOUS PAVEMENT AREAS
NOT TO SCALE

LEGEND

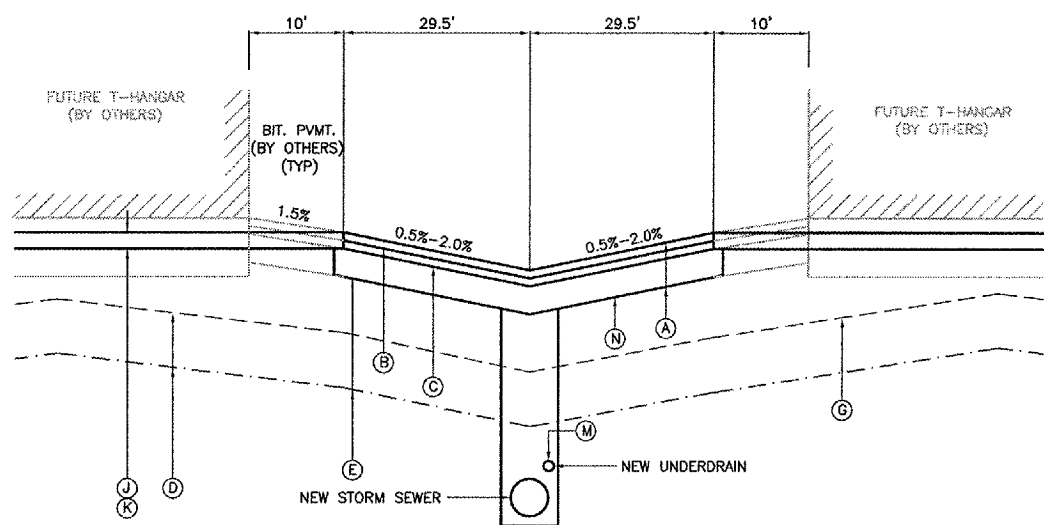
- (A) NEW 2" BITUMINOUS SURFACE COURSE (401)
NEW 2" BITUMINOUS BASE COURSE (201)
NEW 7" CRUSHED AGGREGATE BASE COURSE (209)
- (B) NEW TACK COAT (603)
- (C) NEW PRIME COAT (602)
- (D) PROPOSED 6" (AVG.) TOPSOIL STRIPPING (152)
- (E) PROPOSED EMBANKMENT FILL (152)
- (F) PROPOSED SHOULDER FILL (152)
- (G) EXISTING GROUND LINE
- (H) NEW 10' WIDE SOIL GUARD
- (I) PROPOSED GROUND LINE
- (J) PROPOSED TOPSOIL PLACEMENT (4" DEPTH) (905)
- (K) PROPOSED SEEDING AND MULCHING (901 AND 908)
- (L) PROPOSED POROUS BACKFILL (705)
- (M) NEW 6" CPPUP WITH SOCK (705)
- (N) NEW SOIL STABILIZATION FABRIC
- (O) NEW 10" P.C.C. PAVEMENT (501)
- (P) NEW 6" CRUSHED AGGREGATE BASE COURSE (209)
- (Q) NEW 12" POROUS GRANULAR EMBANKMENT (208)
- (R) PROPOSED UNCLASSIFIED EXCAVATION

REVISIONS

NUMBER	BY	DATE



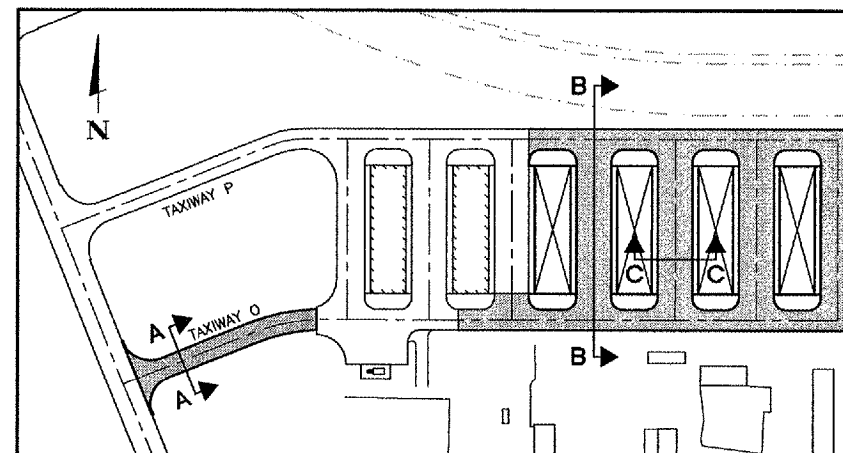
TAXIWAY TYPICAL SECTION B-B
NOT TO SCALE



TAXIWAY TYPICAL SECTION C-C
NOT TO SCALE

NOTES

1. CONSTRUCT CRUSHED AGGREGATE BASE COURSE 1'-0" OUTSIDE EDGE OF PAVEMENT.



KEY MAP

PALWAUKEE MUNICIPAL AIRPORT
WHEELING/PROSPECT HEIGHTS, ILLINOIS
TYPICAL SECTIONS
NORTHEAST QUADRANT

© Copyright CMT, Inc.

CMT
 CRAWFORD, MURPHY & TILLY, INC.
 CONSULTING ENGINEERS
 License No. 184-000613

DESIGN BY:	MLK
DRAWN BY:	JRO
CHECKED BY:	
APPROVED BY:	
DATE:	06/29/06
JOB No:	06290-07

ILLINOIS PROJECT: PWK-3613
 A.I.P. PROJECT: 3-17-0018-B39